

ACRYLIC



Model AC9180

Model AC9180
(Right-hand Shower)

Model AC9181
(Left-hand Shower)

Length: 96" (2438mm)
Width: 34 1/2" (876mm)
Height: 25 1/4" (641mm)

Shipping Weight: 280 lbs. (127 Kg)
Water to Overflow: 79 gallons (359 Litres)

Materials: Manufactured from a one-piece acrylic sheet, reinforced with fibreglass.

This contemporary bath/shower combination unit features the best of both worlds. A comfortable bathing experience featuring a 5' bath, and a generous shower space complete with foot rest for added comfort.

Standard Features:

- Easy to clean high gloss surface
- Chip and mar resistant
- Moulded-in floor pattern
- Contoured integral armrests
- Foot rest in shower

Colours:

- Standard: White and Biscuit

Other Configurations:

- Whirlpool (CMJ6)
- Enhanced whirlpool (PE)
- Enhanced whirlpool w/heater (PEH)
- Enhanced whirlpool w/chromatherapy (PECE)
- Enhanced whirlpool w/heater & chromatherapy (PEHCE)
- BubbleAir™ air jets (BT)
- BubbleAir air jets w/chromatherapy (BTCE)

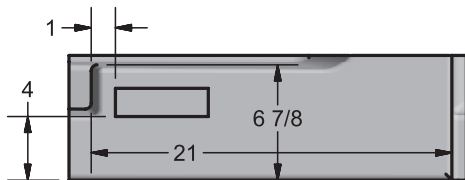
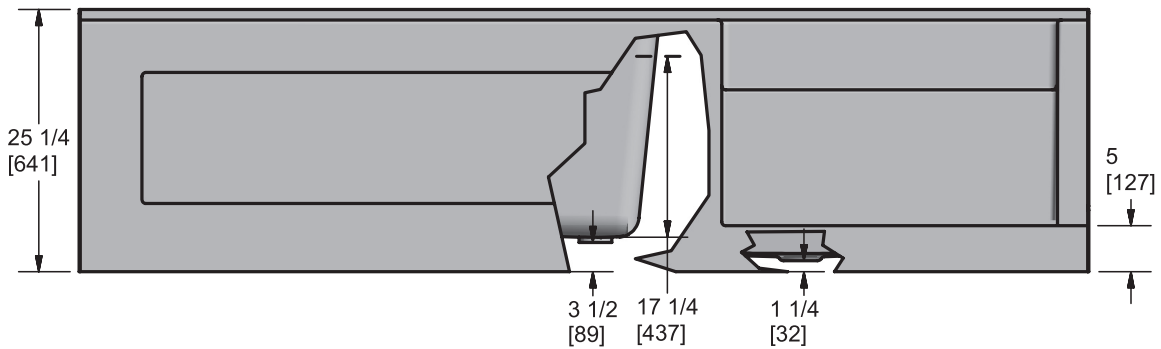
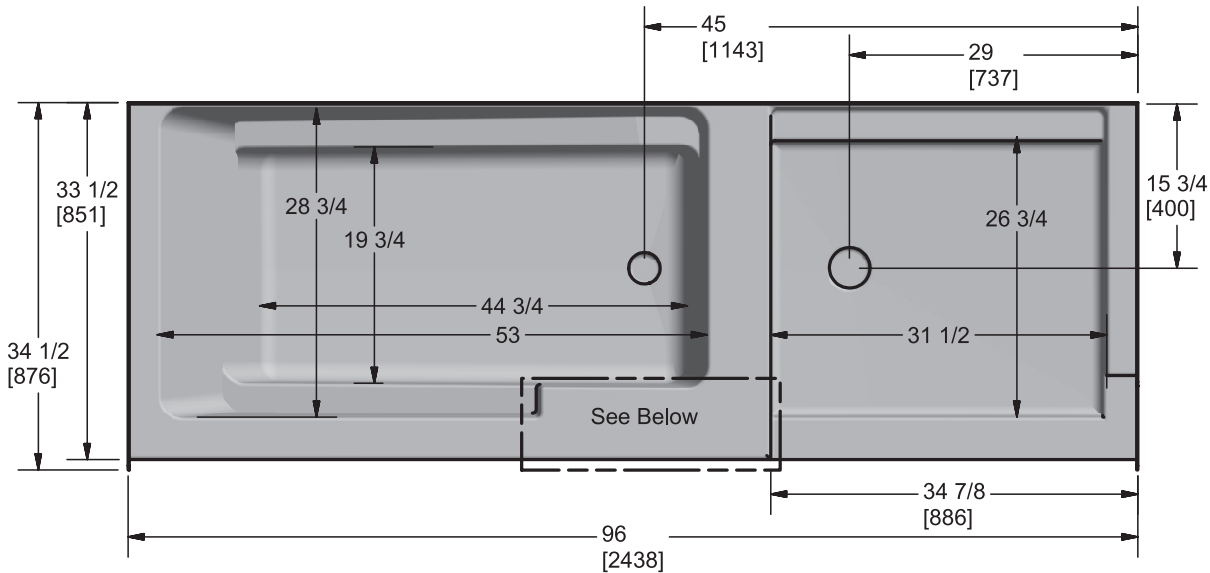
All products manufactured by Hytec are covered by a comprehensive five-year limited warranty from the date of sale to the original owner. See the Hytec Bathing Fixtures List Price Book for further details.

Hytec Plumbing Products

(Division of Kohler Canada Co.)
4150 Spallumcheen Dr, Armstrong BC V0E 1B6
Ph. (800) 871-8311 (250) 546-3196 Fax (250) 546-3170



ACRYLIC



Keypad Location
 Size: 5.75" X 1.75"
 (Keypad available when paired
 with Enhanced Bathing Options)

Measurement tolerances ± 1/4" (6.3 mm)

All bathing fixtures comply with the applicable Canadian Standards.

For installation procedures, please refer to instructions included with each unit.

This sheet approximately describes products and equipment manufactured or supplied by Hytec Plumbing Products. Because of ongoing efforts to improve both design and quality, products and equipment actually furnished may differ without prior notice.



Hytec Plumbing Products
 (Division of Kohler Canada Co.)
 4150 Spallumcheen Dr, Armstrong BC V0E 1B6
 Ph. (800) 871-8311 (250) 546-3196 Fax (250) 546-3170