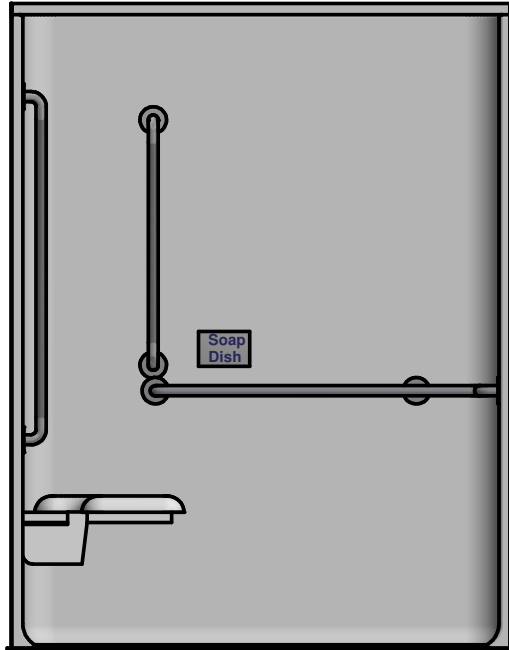


GELCOAT



Model 6296L/R-Z3

Model 6296L-Z3

Left Hand Drain, Left Hand Vertical Bars, Right Hand Wrap Around Bar, Left Hand Soap Dish, Left Hand Folding Seat

Model 6296R-Z3

Right Hand Drain, Left Hand Vertical Bars, Right Hand Wrap Around Bar, Left Hand Soap Dish, Left Hand Folding Seat

Model 6296L-Z4

Left Hand Drain, Right Hand Vertical Bars, Left Hand Wrap Around Bar, Right Hand Soap Dish, Right Hand Folding Seat

Model 6296R-Z4

Right Hand Drain, Right Hand Vertical Bars, Left Hand Wrap Around Bar, Right Hand Soap Dish, Right Hand Folding Seat

Length: 62 3/4" (1594mm)

Width: 40 1/8" (1019mm)

Height: 78 3/8" (1991mm)

Shipping Weight: 215 lbs. (1.8Kg)

Materials: Gelcoat finish reinforced with fibreglass.

Designed to comply with CSA B651-12 Barrier Free requirements for a Roll-in Shower, as well as the British Columbia Building Code 2012 and the British Columbia Building Access Handbook 2014.

When installed as per installation instructions, this shower has a sloped threshold for easy wheelchair access, while still retaining water within the shower.

Standard Features:

- No cracks or grout to harbour mildew or germs
- Easy to clean, chip resistant surface
- Moulded-in floor pattern
- Stainless steel grab bars
- Fold-up seat installed
- Stainless steel soap dish

Options:

- Reinforcements for hand showers, nurse call stations, seats, etc.
- Stainless steel shower rod installed

Colours:

Standard: White, Almond (Bone) or Biscuit
Optional: Kohler Colours

Other Configurations:

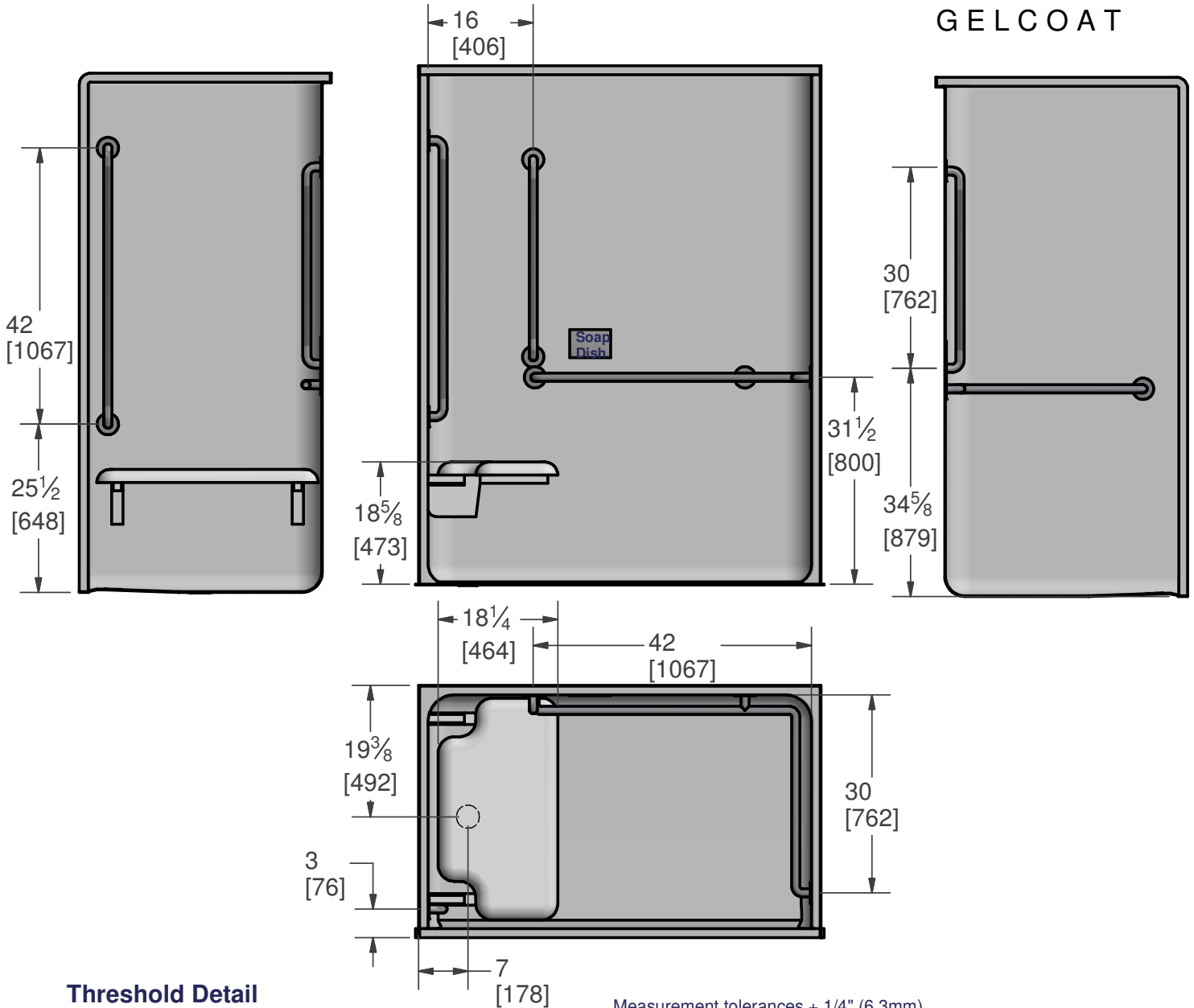
2-piece knockdown (KD)
(Not available when folded seat is installed)

All products manufactured by Hytec are covered by a comprehensive five-year limited warranty from the date of sale to the original owner. See the Hytec Bathing Fixtures List Price Book for further details.

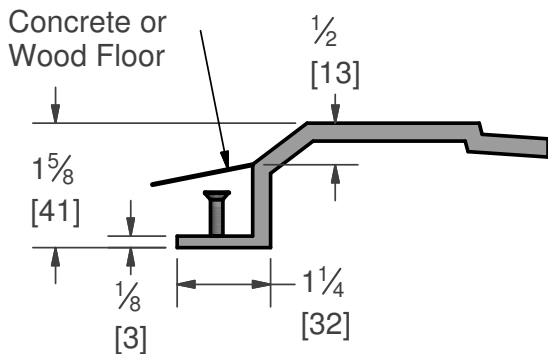
Hytec Plumbing Products

(Division of Kohler Canada Co.)
4150 Spallumcheen Dr, Armstrong BC V0E 1B6
Ph. (800) 871-8311 (250) 546-3196 Fax (250)
546-3170

GELCOAT



Threshold Detail



Measurement tolerances ± 1/4" (6.3mm)

All Hytec products are certified to the applicable Canadian Standards.

For installation procedures, please refer to instructions included with each unit.

This sheet approximately describes products and equipment manufactured or supplied by Hytec Plumbing Products. Because of ongoing efforts to improve both design and quality, products and equipment actually furnished may differ without prior notice.