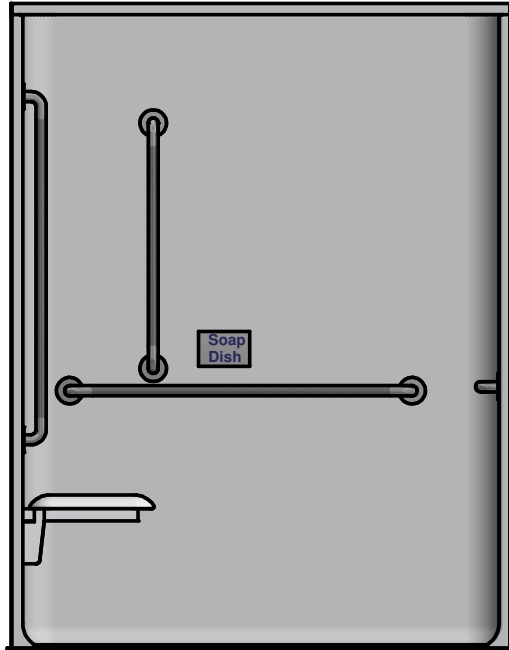


## GELCOAT



Model 6296L/R-Z1

**Model 6296L-Z1**

Left Hand Drain, Left Hand Vertical Bars, Right Hand Horizontal Bar, Left Hand Soap Dish, Left Hand Folding Seat

**Model 6296R-Z1**

Right Hand Drain, Left Hand Vertical Bars, Right Hand Horizontal Bar, Left Hand Soap Dish, Left Hand Folding Seat

**Model 6296L-Z2**

Left Hand Drain, Right Hand Vertical Bars, Left Hand Horizontal Bar, Right Hand Soap Dish, Right Hand Folding Seat

**Model 6296R-Z2**

Right Hand Drain, Right Hand Vertical Bars, Left Hand Horizontal Bar, Right Hand Soap Dish, Right Hand Folding Seat

Length: 62 3/4" (1594mm)

Width: 40 1/8" (1019mm)

Height: 78 3/8" (1991mm)

Shipping Weight: 215 lbs. (1.8Kg)

Materials: Gelcoat finish reinforced with fibreglass.

Designed to comply with CSA B651-12 Barrier Free requirements for a Roll-in Shower, as well as the Alberta Barrier Free Design Guide - 2008. When installed as per installation instructions, this shower has a sloped threshold for easy wheelchair access, while still retaining water within the shower.

**Standard Features:**

- No cracks or grout to harbour mildew or germs
- Easy to clean, chip resistant surface
- Moulded-in floor pattern
- Stainless steel grab bars
- Fold-up seat installed
- Stainless steel soap dish

**Options:**

- Reinforcements for hand showers, nurse call stations, seats, etc.
- Stainless steel shower rod installed

**Colours:**

- Standard: White, Almond (Bone) or Biscuit
- Optional: Kohler Colours

**Other Configurations:**

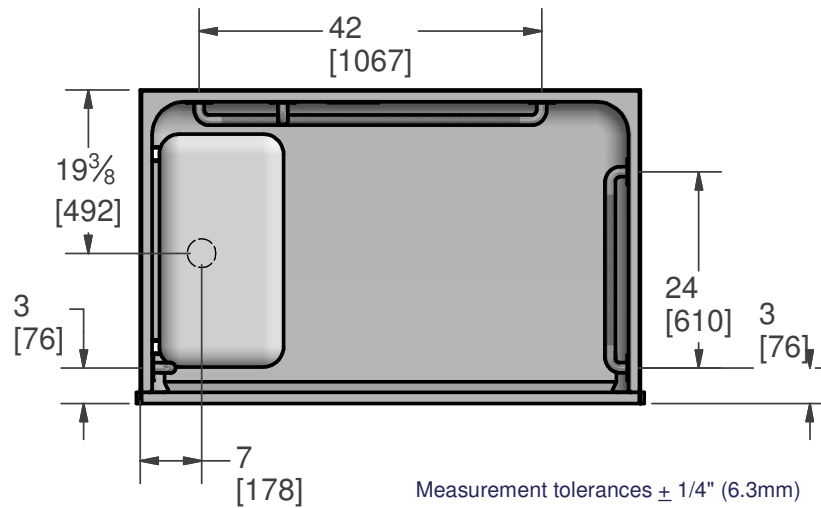
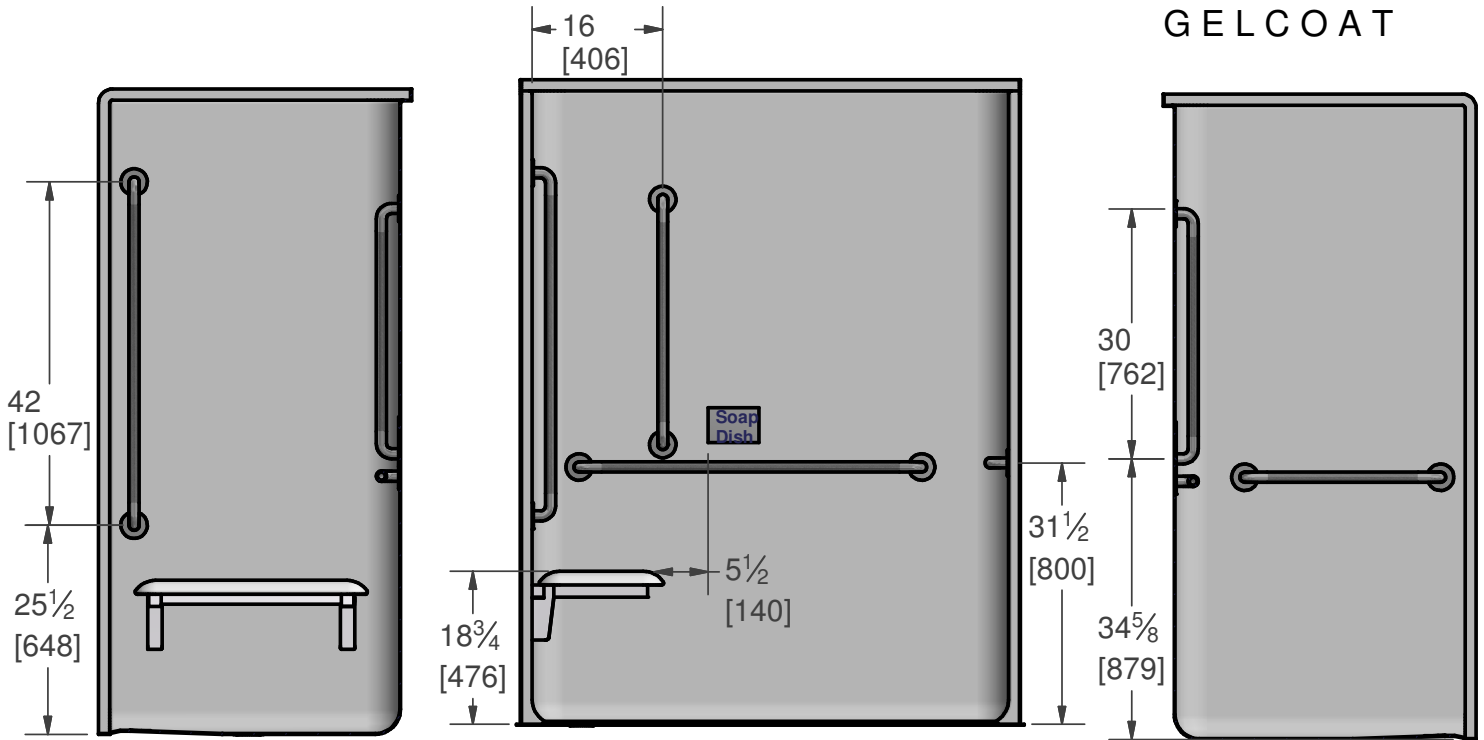
- 2-piece knockdown (KD)
- (Not available when folded seat is installed)

All products manufactured by Hytec are covered by a comprehensive five-year limited warranty from the date of sale to the original owner. See the Hytec Bathing Fixtures List Price Book for further details.

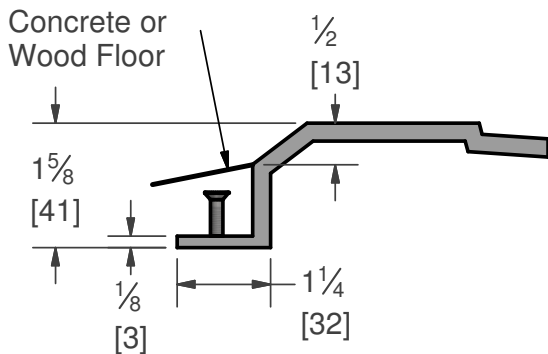
**Hytec Plumbing Products**

(Division of Kohler Canada Co.)  
 4150 Spallumcheen Dr, Armstrong BC V0E 1B6  
 Ph. (800) 871-8311 (250) 546-3196 Fax (250)  
 546-3170

GELCOAT



**Threshold Detail**



Measurement tolerances  $\pm 1/4"$  (6.3mm)

All Hytec products are certified to the applicable Canadian Standards.

For installation procedures, please refer to instructions included with each unit.

This sheet approximately describes products and equipment manufactured or supplied by Hytec Plumbing Products. Because of ongoing efforts to improve both design and quality, products and equipment actually furnished may differ without prior notice.