

**IMPORTANT – LEAVE THESE INSTRUCTIONS WITH THIS UNIT**



**FREESTANDING BATHTUB WITH 360° APRON**

**INSTALLATION INSTRUCTIONS**

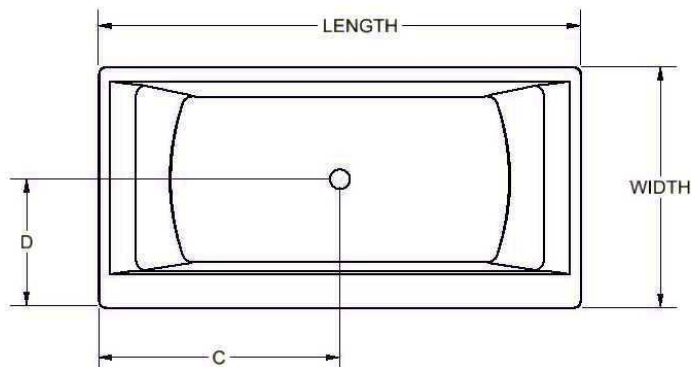
GENERAL INFORMATION

- HYDROLUX bathtubs are designed with the floor of the tub as the weight carrier, and it is heavily reinforced for this purpose. The rim of the bath is not designed to carry weight, nor must the tub be suspended from the rim; similarly, any finishing materials that touch or overlap the tub must be fully supported.
- Floor support under the tub must provide for a minimum loading of 80 lbs/square foot (390 Kg/square meter.)

ROUGH-IN DIMENSIONS

Measurement tolerances  $\pm 1/4"$  (6.3mm)

MODEL	LENGTH	WIDTH	HEIGHT WITH APRON	C	D
3980S/F	71 13/16" 1824mm	35 15/16" 913mm	25" 635mm	35 7/8" 911mm	19 1/4" 489mm
3990S/F	65 7/8" 1673mm	36" 914mm	25" 635mm	32 15/16" 813mm	19 1/4" 489mm
53990S/F/E	60" 1524mm	34" 864mm	25" 635mm	30" 762mm	18" 457
53980S/F	60 3/16" 1529mm	34 1/8" 867mm	25" 635mm	30 1/16" 764mm	18 1/2" 470mm
31906E	68" 1727 mm	34" 864 mm	25" 635 mm	33 15/16" 862 mm	16 15/16" 430 mm



**WARNING: Make sure a watertight seal exists on all drain connections (flange, gasket and thread).**

**IMPORTANT NOTE: For proper drainage, the maximum allowed tolerance for leveling is 1/8" over the length and width of the unit. HYTEC recommends the use of a digital or precision level.**



### BATH INSTALLATION

- The apron and tub are packaged together. The apron is not reversible so mark the apron to identify each end and their position to the tub. If the apron gets turned around, it will be more difficult to install correctly.
- Temporarily assemble the waste/overflow fitting to the bath (DO NOT apply sealant at this time.)
- Position the bath only (apron will be installed later) over the P Trap and secure connection.
- Uninstall the bath leaving the waste/overflow attached to the P Trap.
- Install the water supply fittings to the bath.
- Position the apron using a slow drying adhesive between it and the floor.
- Apply sealant to the waste/overflow gaskets.
- Install the bath partially into the apron, placing spacers between the edge of the apron and the tub to allow attachment of the water supply fittings. See fig A.
- Remove the spacers and lower the bath onto the apron. Fit the apron into the groove between the wood block and the edge of the tub. See Fig B.
- Secure waste/overflow to bath.

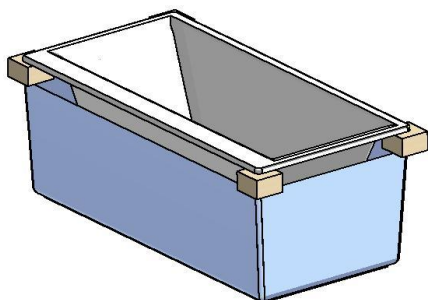


Fig. A

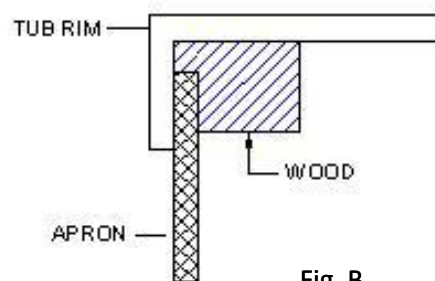


Fig. B

## BUBBLEAIR™ INSTALLATION INSTRUCTIONS

**WARNING!** When using electrical products, basic precautions should always be followed, including the following:

**DANGER: RISK OF ELECTRIC SHOCK.** Grounding is required. The unit should be installed by a qualified service representative. An equipment grounding terminal is provided in the field wiring compartment. This terminal must be connected to the grounding means provided in the electric supply panel with a conductor equivalent in size to the circuit conductors supplying this equipment. The wiring must be installed by a qualified electrician and in compliance with all applicable National, State, or Provincial Electrical Code requirements, through a ground-fault circuit-interrupter (GFCI) of the Class A type.

An independent branch circuit c/w CFGI is required for the following option:

BubbleAir Blower:        120V – 60Hz – 9.5A     Key pad controlled

### **WARNING:**

- Access to the blower and electrical components must be available to allow for installation and maintenance. Provide a minimum clearance of 24" (610mm) around the perimeter of the bath. To get access to the blower and components, disconnect the drain, overflow and water supply before lifting the tub, separating it from the apron.
- Do not lift by any of the plumbing or electrical components. Handle carefully to avoid damage to blower, piping or fittings, or electrical components.
- All units are factory tested for operation and leaks, but **must** be checked for leaks, etc. before being finally closed in, or tiled.
- Before filling the tub for the first time, remove all construction waste and foreign materials.
- Rinse the tub out with clean water before activating the blower, to avoid introducing contamination or grit into the piping and blower.
- Building materials and wiring should be routed away from the blower body or other heat-producing components.
- When installing in an island setting some whirlpool models may require you to tip the unit from side to side tucking the plumbing under the decking one side at a time.

## **USER CARE & MAINTENANCE INSTRUCTIONS**

We trust you will have many years of satisfying use from our product. The following hints are offered to assist you in keeping your tub and shower in “as new” condition.

### **Normal Care:**

A quick sponge-down with warm water and a liquid detergent, such as Mr. Clean or Fantastic, will take care of most cleaning needs. In areas where the water is hard, more frequent cleaning will be necessary to prevent any build up on the surface. We recommend the use of a good quality car or boat wax to protect the gloss and will make cleaning easier.

### **Stains:**

For stubborn stains, start with a liquid detergent; if this does not work, try a mild powder detergent such as Spic and Span, which also works well for removing heavy soap film. Cleaning pads made of nylon; saran or polyethylene and containing no abrasives may be used.

### **Things to Avoid:**

Sand and grit. Dropped tools. Acetone on any acrylic surface.

Should your unit suffer accidental surface damage, a qualified and trained repair person may be able to repair it. Consult your plumber, wholesaler or a Hytec Sales Agent.

**Do not use abrasive scouring powders or metal scouring pads, as these will permanently damage the finish.** Gel-gloss, or the fine grade of Turtle Wax automotive rubbing compound can be used with caution to restore the shine.

### **Paint Splashes:**

A quick wipe with mineral spirits, turpentine or Polyclens, followed immediately by a wash with water will remove most paint splashes. **Do not use paint remover or stripper, as these contain solvents that can permanently damage the acrylic surface.**

**Do not use abrasive scouring powders or metal scouring pads, as these will permanently damage the finish.** Gel-gloss, or the fine grade of Turtle Wax automotive rubbing compound can be used with caution.

**WARNING! Any problems or damage to jetting or electrical components should be performed by a qualified service representative.**



## LIMITED 5 YEAR WARRANTY

All acrylic and gelcoat products manufactured by Hytec are covered by a 5-year warranty from the date of sale to the original owner. This warranty does not cover materials and component parts manufactured by others (such as pumps, jets, pipes, and fittings), which are subject to warranties offered by their original manufacturers. Hytec Plumbing Products warrants to the purchaser of each Hytec product that such product will at time of sale be free from defect in material and workmanship, and that Hytec will at its option repair the original unit or supply an equivalent unit in exchange, such exchange to be F.O.B. at Hytec warehouse. Hytec shall not be responsible for shipping, handling, or installation damage; or any expense of removal, transportation or installation of any original or exchange unit. Under no circumstances will Hytec Plumbing Products assume liability for consequential damages or labour charges resulting therefrom.

This warranty is non-transferable and shall be voided if the unit is removed from its place of initial installation or is not installed in accordance with the manufacturer's instructions. Further, this warranty does not apply if the unit has been subjected to accident, abuse, misuse, damage caused by flood, fire or act of God, or if the unit or the plumbing fixtures used in connection with it are not installed in compliance with local codes and ordinances. Any modifications or alterations to a unit, without prior authorization from Hytec Plumbing Products, or the installation of therapy jets by anyone other than Hytec Plumbing Products, will void all warranties. This includes the installation of steam generators.

**HYTEC'S LIMITED WARRANTY OBLIGATIONS ARE EXPRESSLY LIMITED TO THOSE SET FORTH HEREIN, AND ARE IN LIEU OF ALL OTHER WARRANTIES, EXPRESSED OR IMPLIED. THE LIABILITY OF HYTEC TO THE BUYER WITH RESPECT TO THE SALE OF A UNIT SHALL BE LIMITED TO REPAIR OR REPLACEMENT AS PROVIDED HEREIN TO A MAXIMUM OF THE PURCHASE PRICE OF THE RELEVANT UNIT AND DOES NOT INCLUDE ANY COST OF REMOVAL OR REINSTALLATION OR CONSEQUENTIAL DAMAGES OF ANY KIND.**

To obtain warranty service, contact Hytec Customer Service at **(800) 871-8311** or **(250) 546-3067**, or email **hytec.customer.service@kohler.com**. Please have ready all pertinent information regarding your claim, including a complete description of the problem, the product, model number, serial number and a copy of your original invoice. If the serial number is not available, please provide a digital photo of the unit.

Authorized Service Representatives for Hytec have been thoroughly trained to perform both in and out of warranty repairs to Hytec products. Through this training, they are familiar with the Hytec Warranty Policy. If in the opinion of the Authorized Service Representative, the service required is not within the scope of the Hytec Warranty Policy, they will advise you before beginning the work. Should this occur, payment of all invoices related to the service is the responsibility of the consumer. If the problem can be attributed to incorrect installation, please contact your installing contractor. Should there be a difference of opinion pertaining to warranty coverage between the Authorized Service Representative and the consumer; clarification will be provided by Hytec Customer Service.

**HYTEC PLUMBING PRODUCTS**  
(Division of Kohler Canada Co.)  
4150 Spallumcheen Drive  
Armstrong, BC, V0E 1B6  
Phone (250) 546-3067 • Fax (250) 546-3170

Please visit our website <http://www.hytec.ca> to find your local representative contact information.