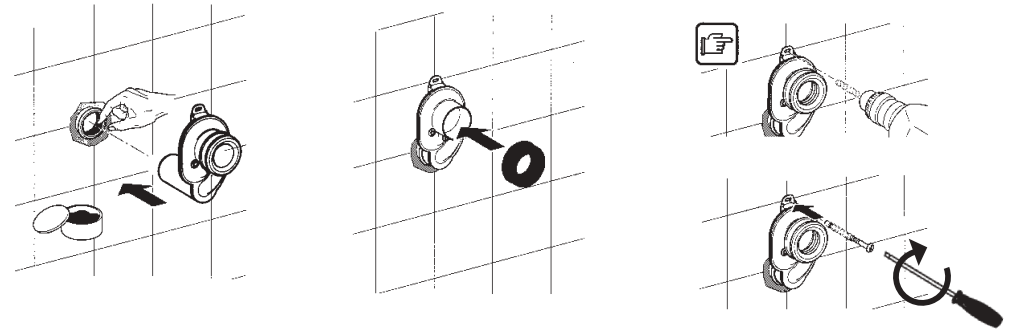
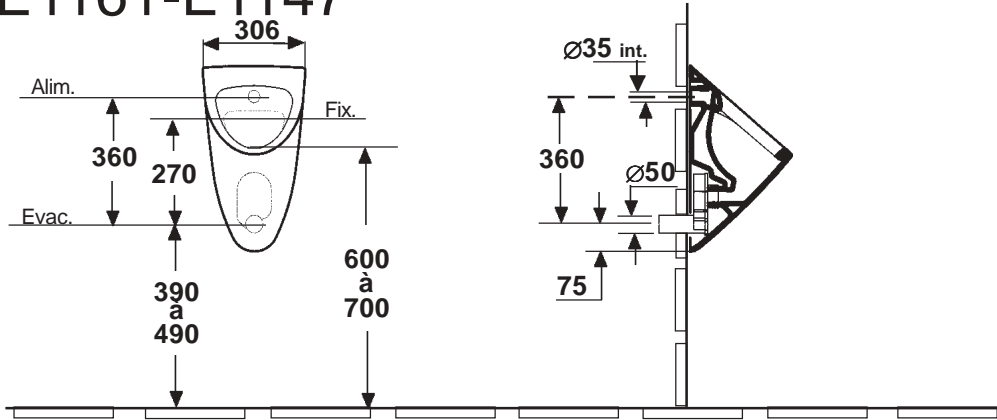
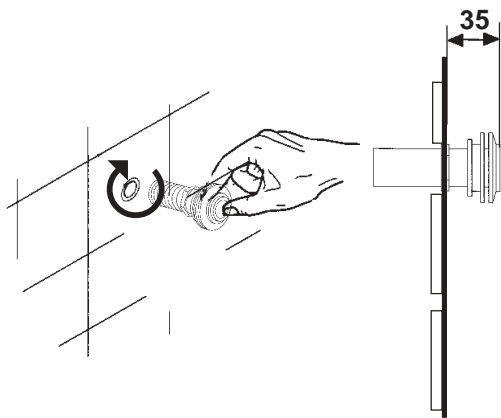


E1161-E1147



EVACUATION - OUTLET



ALIMENTATION - WATER

