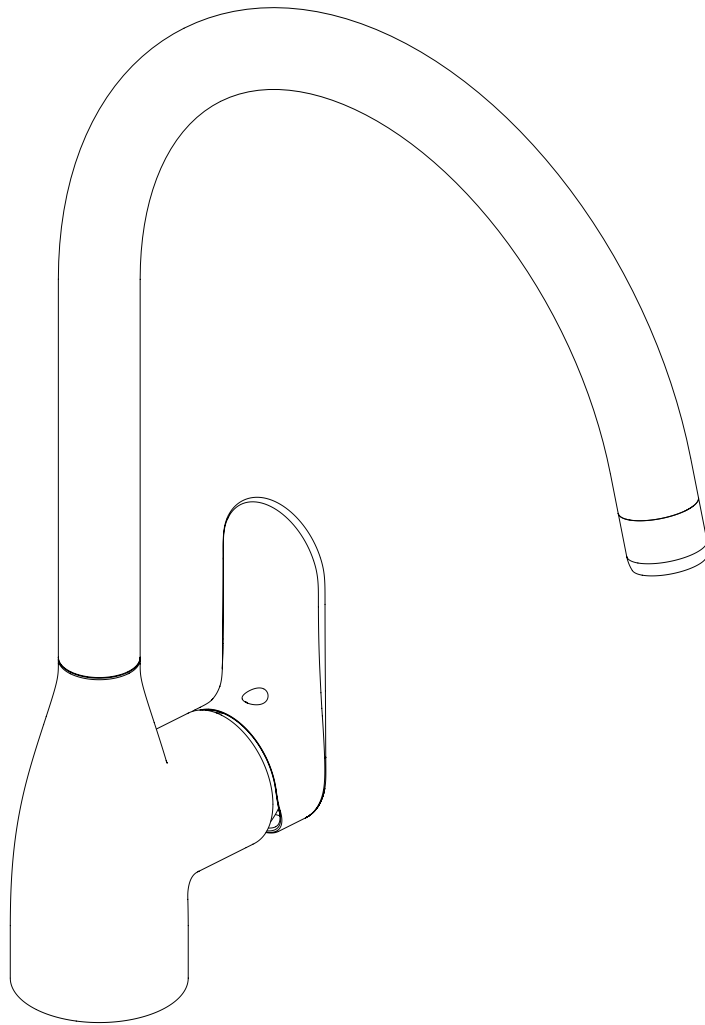
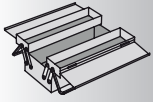


Jacob Delafon

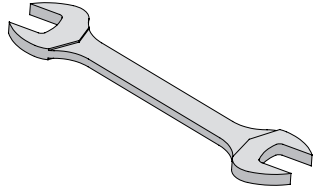
KUMIN





19

12



P

Bar

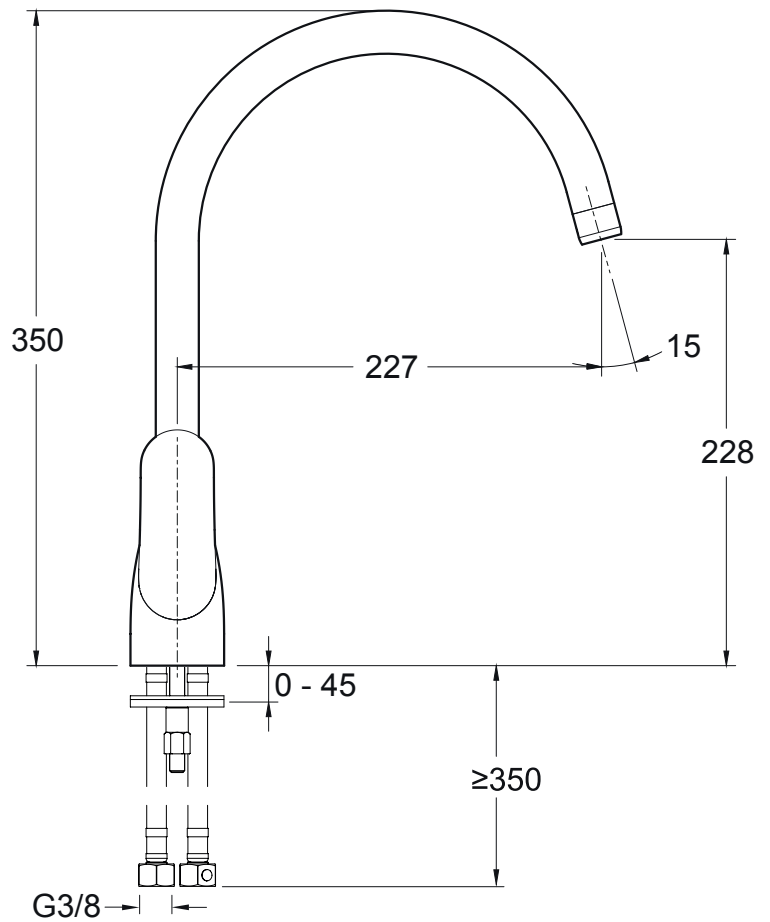
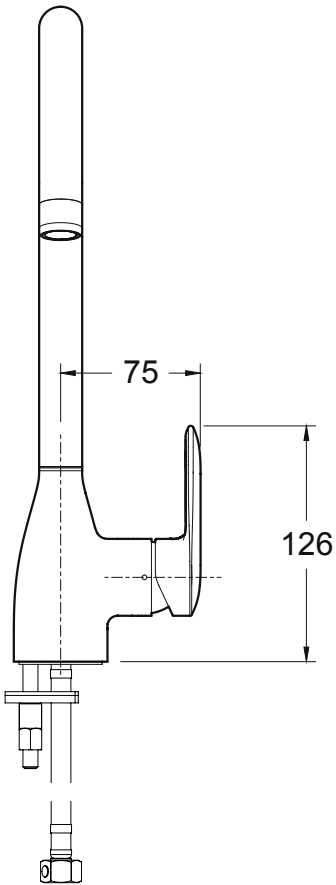
0.5 < 3 < 6



T

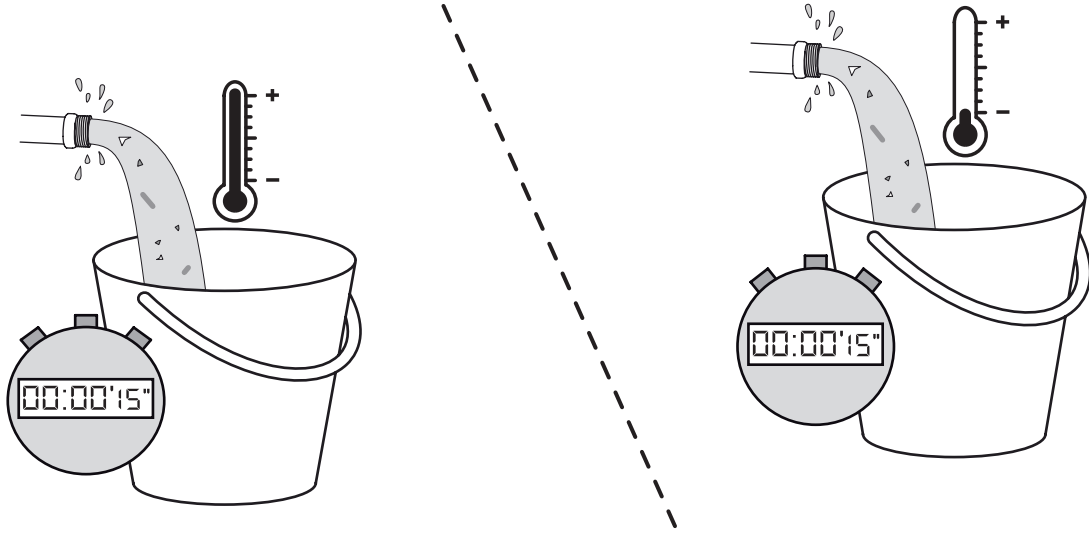
°C

55 < 60 < 65

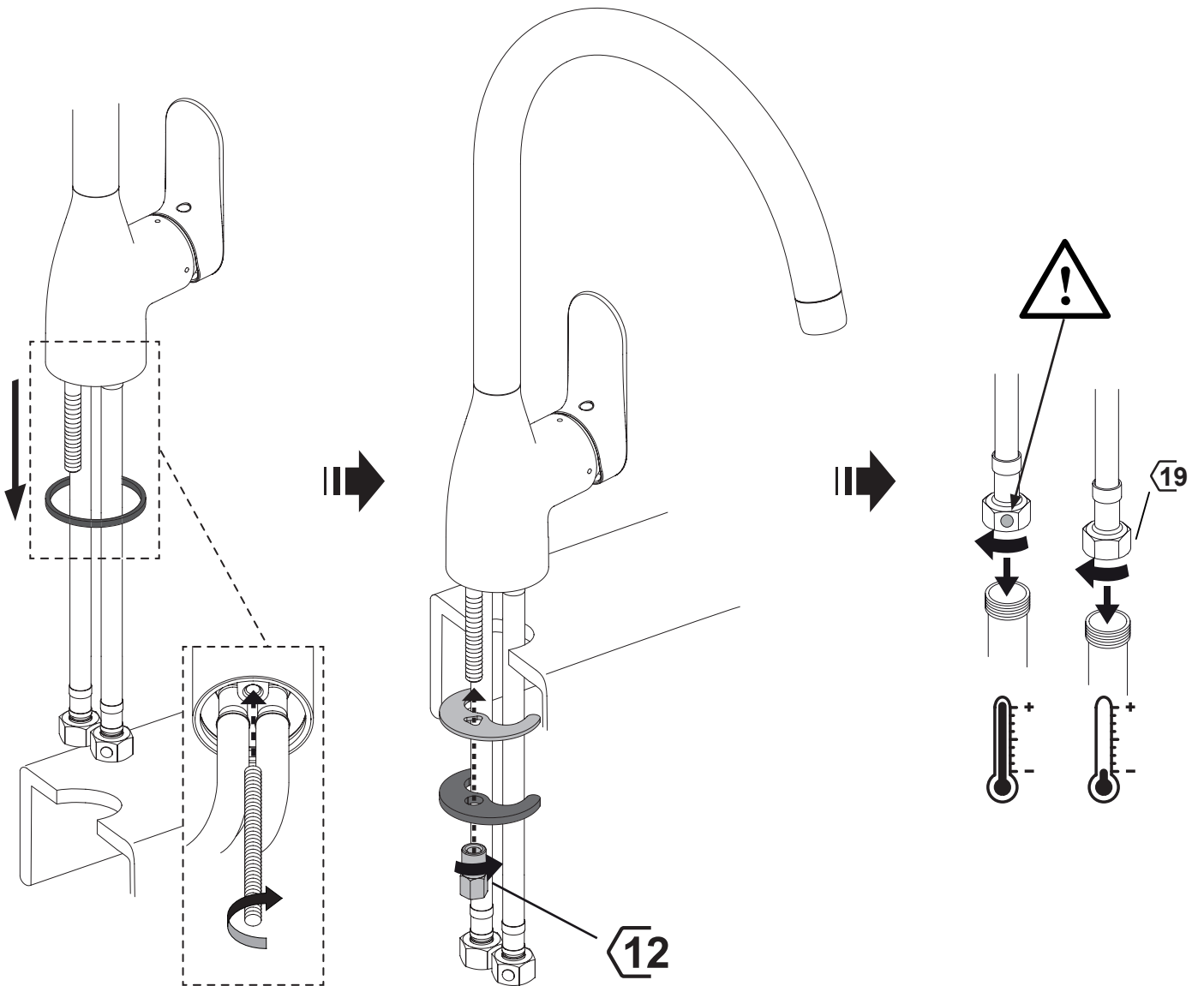


E99477-**

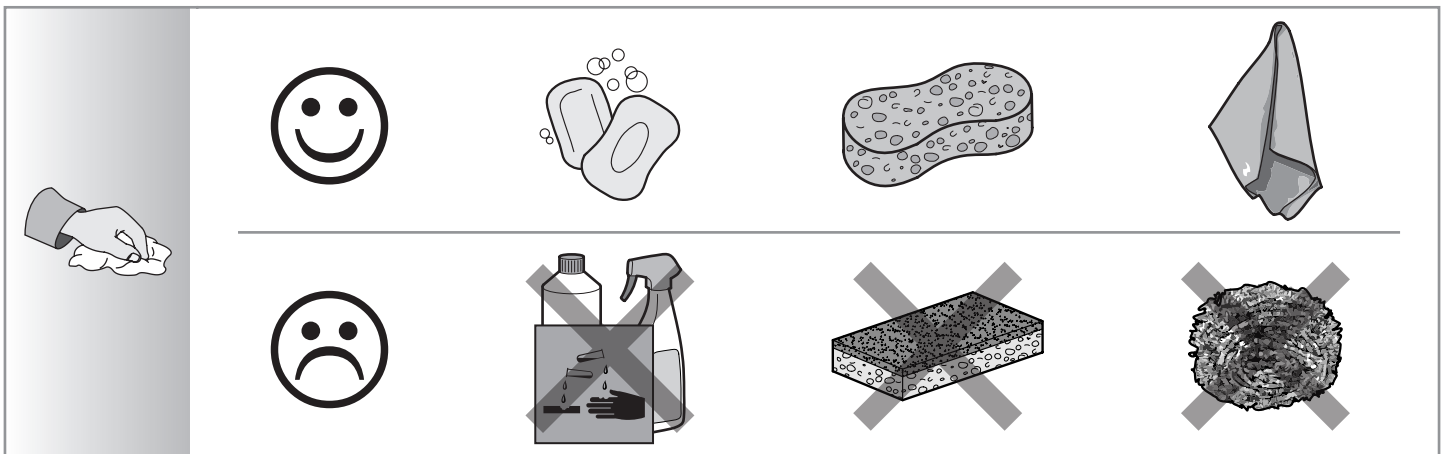
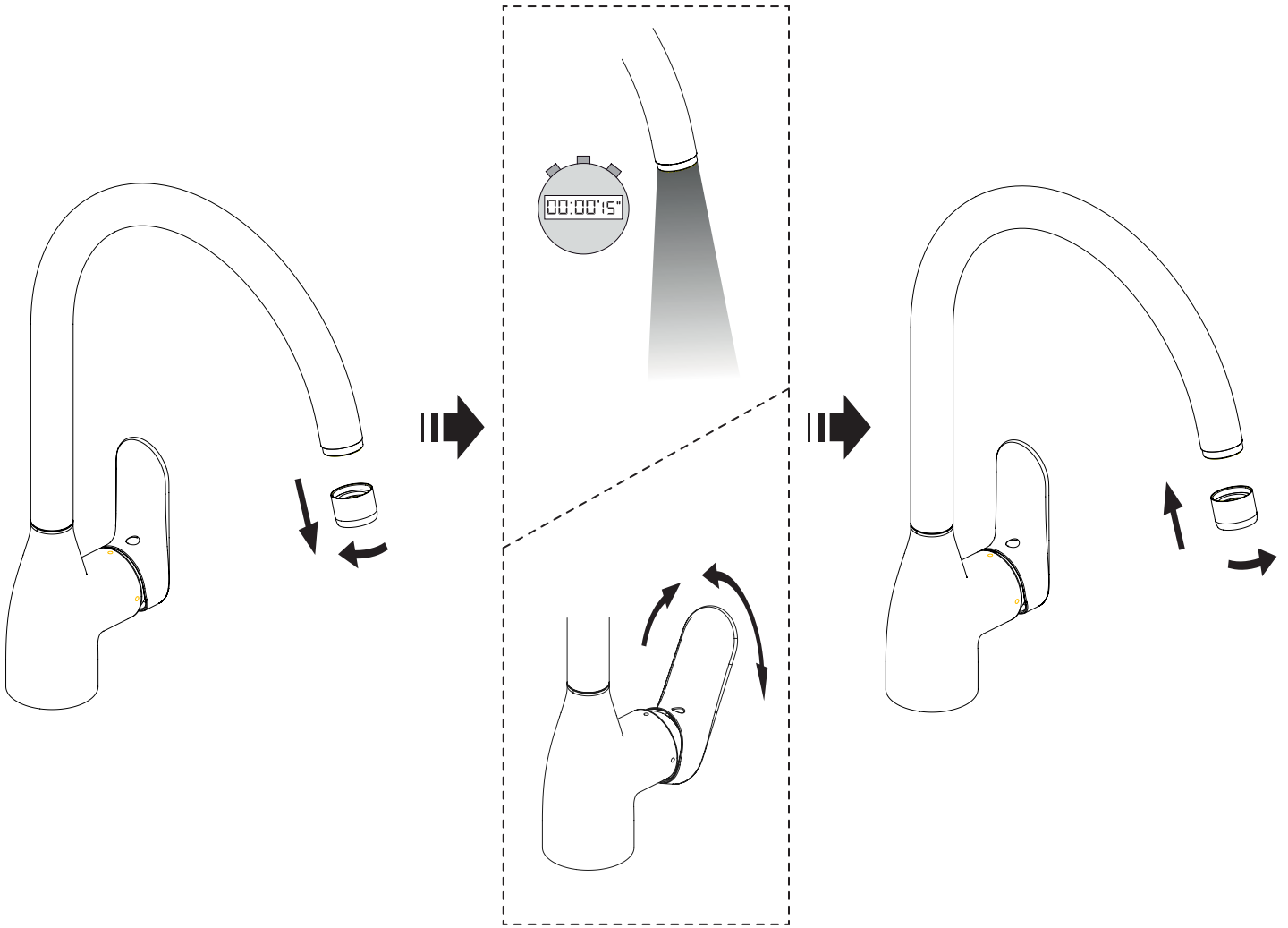
1

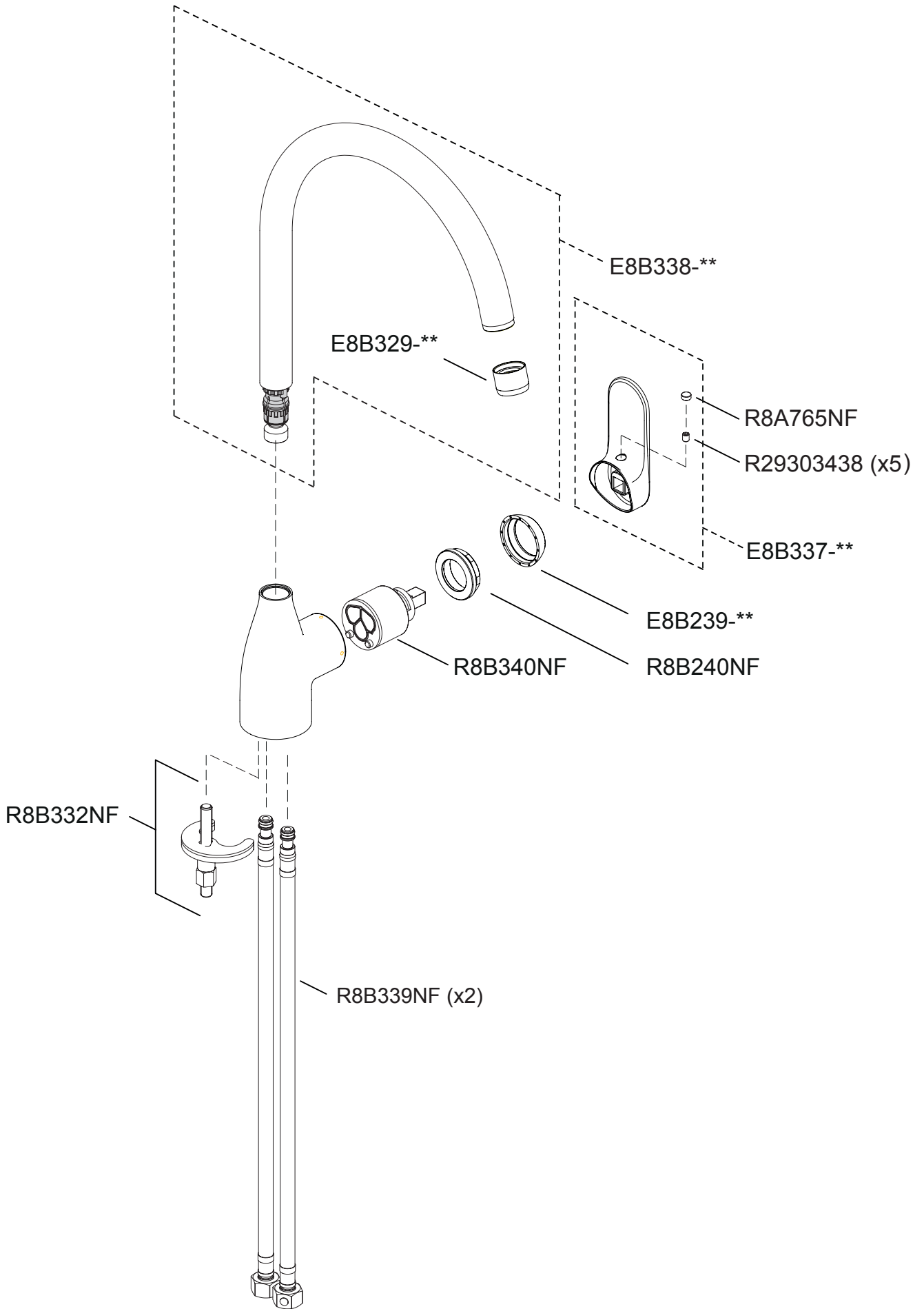


2



3





Jacob Delafon