



# Chesapeake™

## Wall-Mount Bathroom Sink

### K-1729

#### Features

- Made from premium materials that withstand high-volume usage
- Constructed of vitreous china
- 20"L x 18-1/4"W
- Wall-mount installation
- Faucet not included
- Ledge-back
- Includes wall hanger
- Drilled for concealed arm carrier

#### Recommended Accessories

K-8998 P-Trap

#### Components

Additional included component/s: Hanger (2 Required).



ADA

#### Codes/Standards

ASME A112.19.2/CSA B45.1

ADA

ICC/ANSI A117.1




#### KOHLER® One-Year Limited Warranty

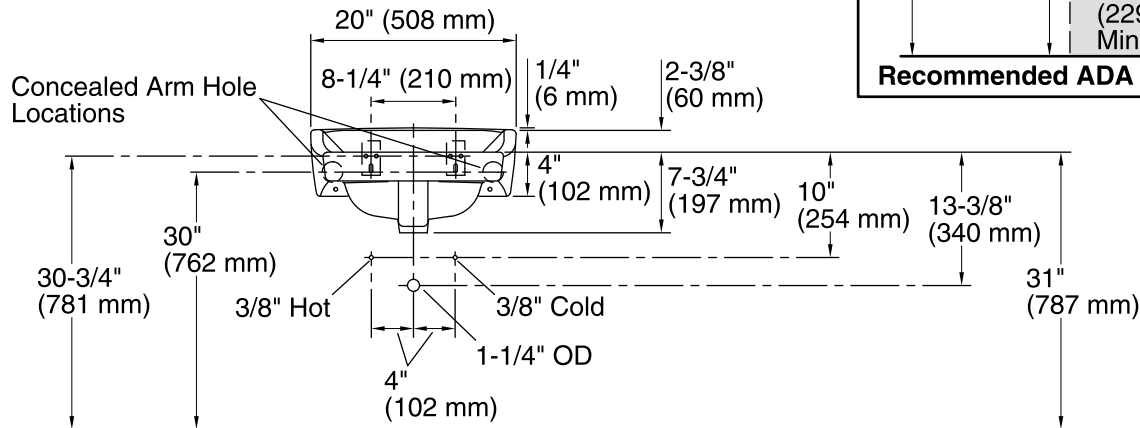
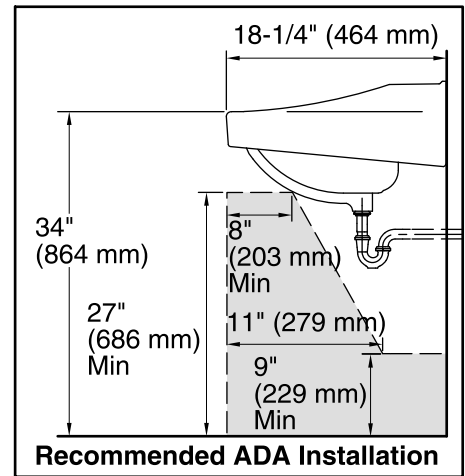
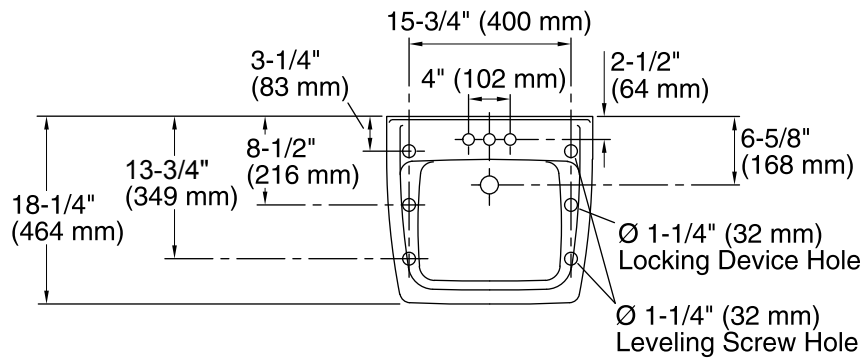
See website for detailed warranty information.

#### Available Color/Finishes

*Color tiles intended for reference only.*

Color	Code	Description
-------	------	-------------

	0	White
	96	Biscuit
	47	Almond



**Standard Installation**

### Technical Information

All product dimensions are nominal.

Bowl configuration: Single  
 Installation: Wall-mount  
 Bowl area (Only): Length: 14" (356 mm)  
 Width: 12" (305 mm)  
 With overflow: Yes  
 Water depth: 4-7/8" (124 mm)

Number of deck holes: 3  
 Faucet hole(s): 1-1/4" (32 mm)  
 Drain hole: 1-3/4" (44 mm)

### Notes

Install this product according to the installation instructions.

ADA compliant when installed to the specific requirements of these regulations.