

Features

- Two-piece toilet.
- Elongated bowl offers added room and comfort.
- Comfort Height® feature offers chair-height seating that makes sitting down and standing up easier for most adults.
- 1.28 gallons per flush (gpf).
- Purefresh seat neutralizes odors continuously for up to 6 months (replaceable carbon filter).
- Integrated freshener fills air with a light, subtle scent for up to 1 month (replaceable scent pack).
- Programmable 8-hour dual LED nightlight offers both guide and task lighting, no matter if the lid is up or down.
- Light intensity designed to provide enough light to see the toilet without disrupting nighttime vision.
- Battery-operated - no electrical cords required. Up to 6 months of battery life* (uses 2 D batteries, not included).
- Quiet-Close™ seat and lid close slowly and quietly without slamming.
- Quick-Attach™ hardware for fast and secure installation.
- Grip-Tight bumpers help prevent the seat from shifting.
- Overhanging lid conceals the seat ring for a clean look.
- Smart-hold hinge keeps seat ring positioned slightly forward when lifted, preventing the seat from closing unexpectedly.
- Includes carbon filter and assortment scent pack.
- Standard left-hand Polished Chrome trip lever included.
- Complete Solution® toilets provide everything you need in one box, including bowl, tank, seat, wax ring, and floor hardware.
- Combination consists of the K-4436 Wellworth tank and the K-4199 Highline bowl.
- *Estimate based on brand and use

Technology

- Single-flush gravity uses the force of gravity and a precision-engineered tank, bowl, and trapway to create a strong siphon during flushing.
- Class Five® flushing technology offers virtually plug-free performance and rinsing power for a clean bowl.

Installation

- Standard 12-inch rough-in.
- Three-bolt installation.
- Supply line not included.

Water Conservation & Rebates

- WaterSense® toilets meet strict EPA flushing guidelines, including using at least 20 percent less water than 1.6-gallon toilets.
- Eligible for consumer rebates in some municipalities.



Codes/Standards

ASME A112.19.2/CSA B45.1
DOE - Energy Policy Act 1992
EPA WaterSense®
California Energy Commission (CEC)


KOHLER® One-Year Limited Warranty

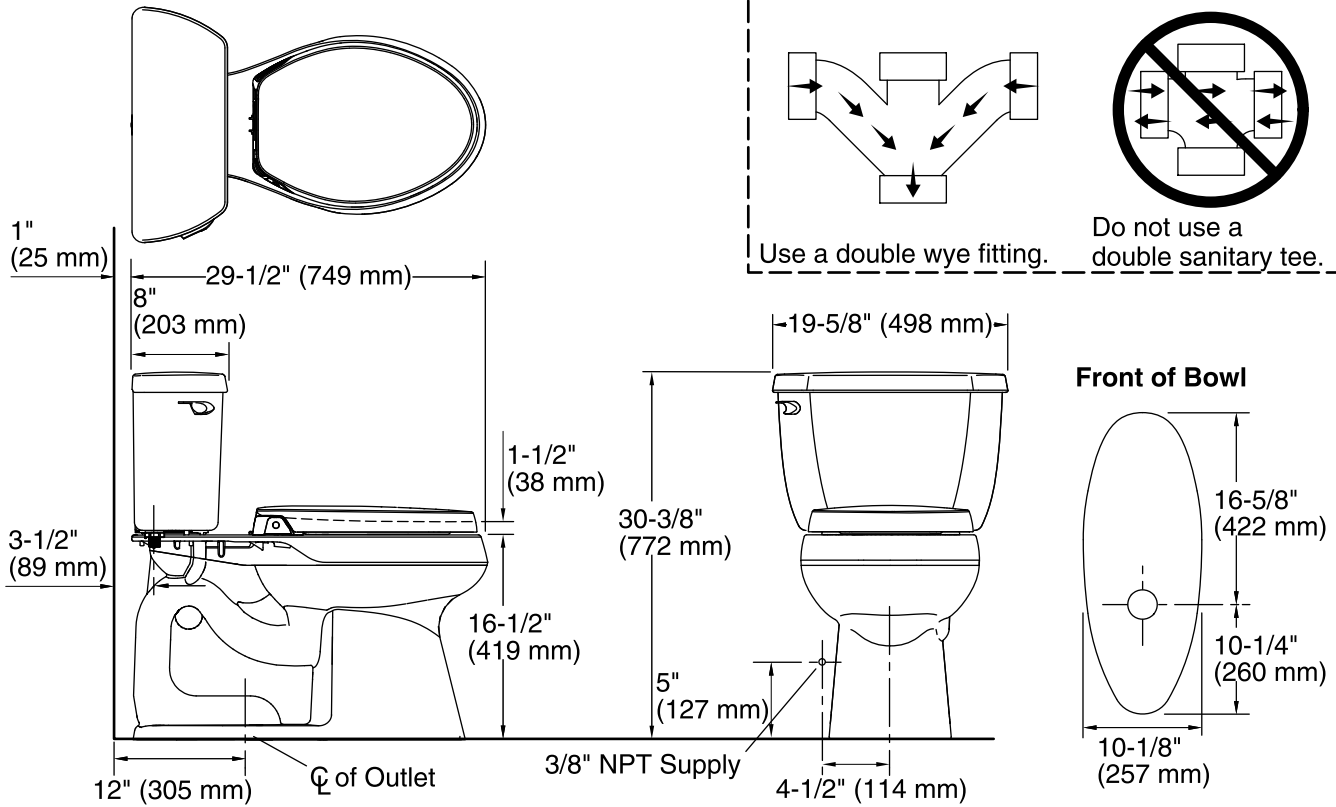
See website for detailed warranty information.

Available Color/Finishes

Color tiles intended for reference only.

Color	Code	Description
-------	------	-------------

	0	White
--	---	-------



Technical Information

All product dimensions are nominal.

- Toilet type: Two-piece
- Bowl shape: Elongated front
- Water Consumption
 - Full: 1.28 gpf (4.8 lpf)
- Water surface size: 11-3/8" x 8" (289 mm x 203 mm)
- Rim to water surface: 5-3/8" (137 mm)
- Rough-in: 12
- Seat-mounting holes: 5-1/2" (140 mm)

Notes

- Install this product according to the installation instructions.
- For back-to-back toilet installations: Use only a 45° double wye fitting.