



ACCESSORIES

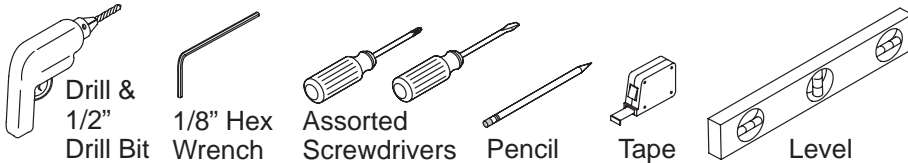
INSTALLATION INSTRUCTIONS

BEFORE YOU BEGIN

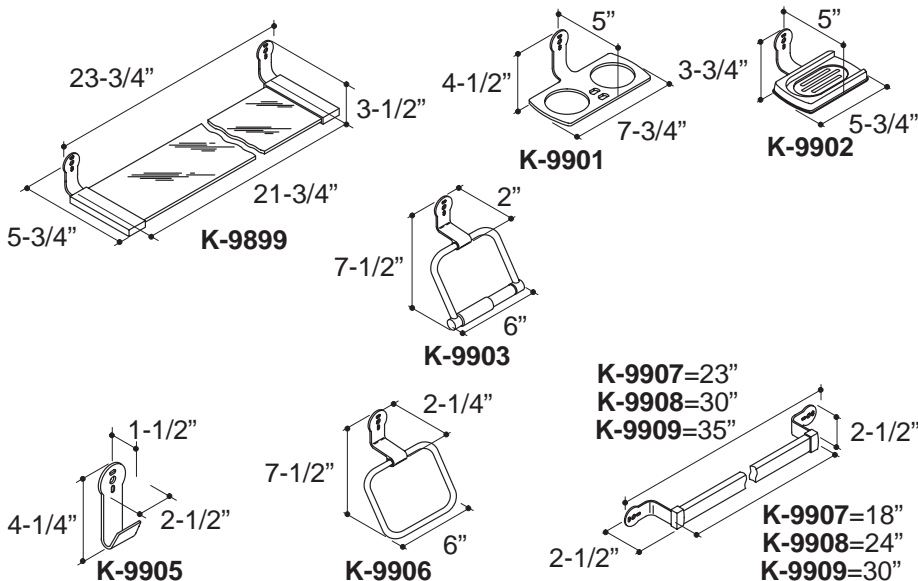
NOTES

- Give some thought to the exact location desired for this product. While it is possible to mount this product on any surface, it is best to find and secure to a wall stud.
- This product is not designed or intended for use as a grab bar or support bar. Do not install product in any critical support area (per ASTM F446).
- Refer to accessory trim kit installation instructions to attach the finishing trim.
- All information in these instructions is based on the latest product information available at the time of publication. Kohler Co. reserves the right to change product characteristics, packaging, or availability at any time without notice.

TOOLS AND MATERIALS RECOMMENDED



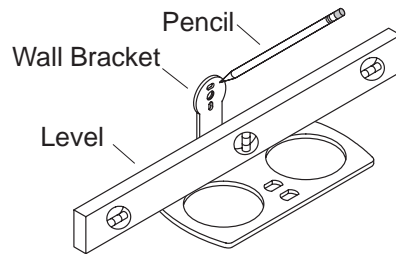
ROUGH-IN DIMENSIONS



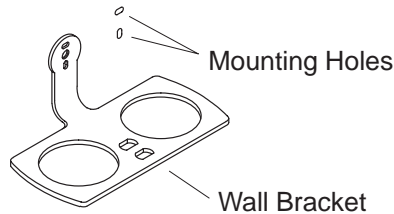
SINGLE BRACKET ACCESSORIES

K-9901, K-9902, K-9903, K-9905, K-9906:

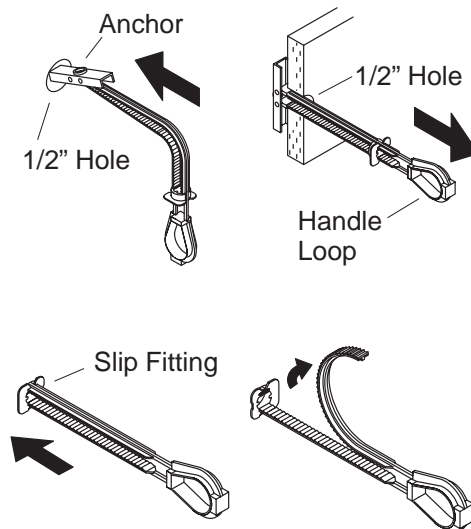
- K-9901 shown for single bracket.
- Hold bracket against wall in desired location using a level to ensure bracket is straight.
- Mark two mounting hole locations with a pencil and remove bracket.



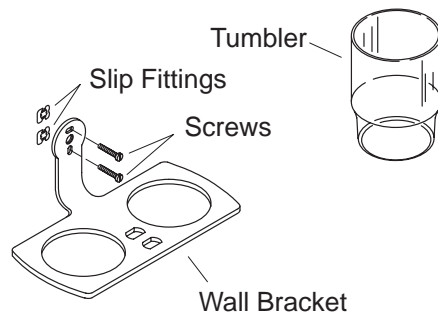
- Drill two 1/2" mounting holes in the center of these pencil locations for wall bracket.



- Insert anchor into the 1/2" hole.
- Turn anchor so the metal channel is vertical (perpendicular to the floor) against the inside wall.
- The handle loop will also be vertical.
- Pull the anchor taut against the interior wall surface.
- Snug the slip fitting down the anchor until tight to the wall.
- Then snap off the excess.



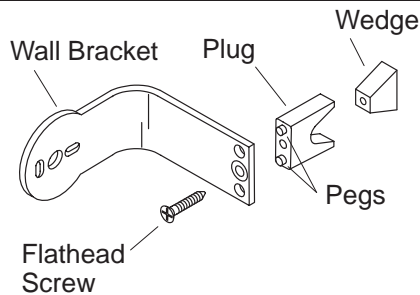
- Hold wall bracket against slip fittings.
- Install and tighten two screws.
- Refer to accessory trim kit installation instructions to attach trim which conceals screws.
- Insert tumbler.



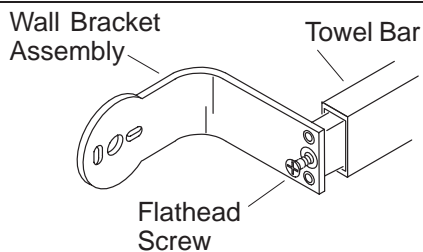
TOWEL BARS

K-9907, K-9908, K-9909:

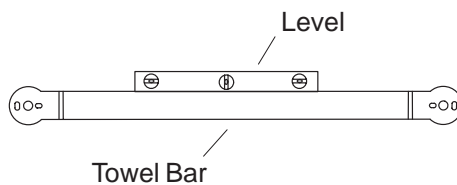
- Insert flathead screw through center holes of wall bracket and plug holes and thread into wedge.
- Align plug pegs with wall bracket holes while tightening flathead screw until wedge contacts plug.



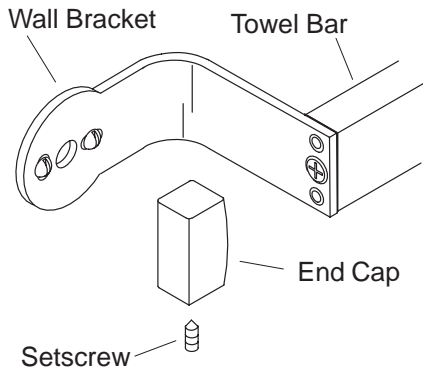
- Slide wall bracket assembly fully into end of towel bar.
- Loosen flathead screw if necessary for installation.
- Once fully inserted, tighten flathead screw.
- Repeat procedure at other end of towel bar.



- Hold towel bar with assembled brackets against wall in desired location.
- Use a level to ensure towel bar is straight.
- Mark all four oval mounting hole locations with a pencil and remove towel bar.
- Drill two 1/2" mounting holes in the center of these pencil locations.
- Install on wall, following single bracket instructions.



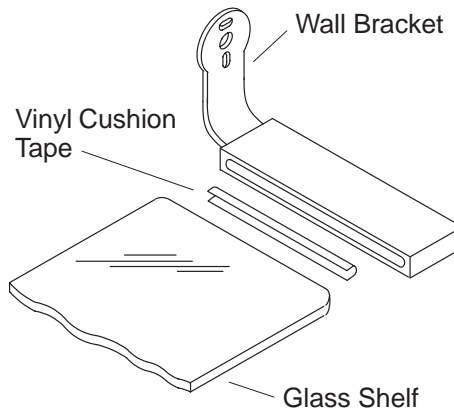
- Install left and right end caps over towel bar and wall bracket with setscrew at bottom.
- Tighten setscrews.
- Refer to accessory trim kit installation instructions to attach trim which conceals bracket screws.



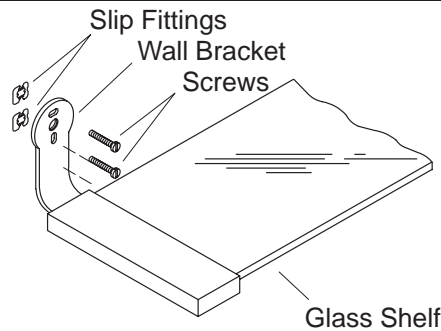
GLASS SHELF

K-9899:

- Install vinyl cushion tape over end of glass shelf with tape adhesive side on glass.
- Insert shelf fully into wall bracket.
- Repeat procedure at other end of shelf.



- Position, level, mark, drill and install anchors following Single Bracket instructions.
- Hold wall bracket against slip fittings.
- Install and tighten two screws.
- Refer to accessory trim kit installation instructions to attach trim which conceals screws.



CALL US FOR HELP – 1-800-4-KOHLER

REQUESTING SERVICE

Here's what you need to do if you require service:

First review the installation instructions to ensure correct installation. If you are still unable to correct the problem, call our Customer Service Department for direct help. Dial **1-800-4-KOHLER**.