

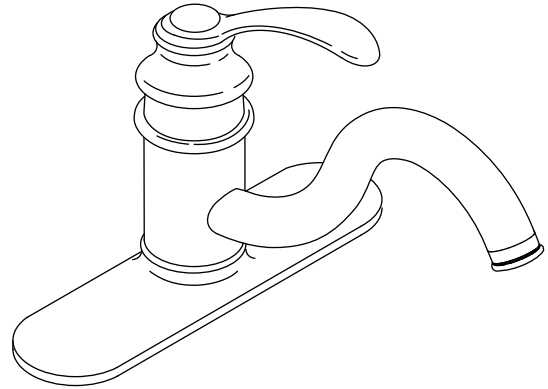
**Features**

- Metal construction
- One-piece, self-contained ceramic disc valve allows both volume and temperature control
- Temperature memory allows faucet to be turned on and off at any temperature setting
- High-temperature limit setting for added safety
- 9" (229 mm) swing spout reach
- Flexible connections for easy installation
- Available with or without matching finish sidespray
- 2.2 gpm (8.3 lpm) maximum flow rate

**KITCHEN SINK FAUCET  
K-12171**

**ALSO K-12172, K-12175, K-12176**

**ADA** **CSA B651** **OBC**



**Codes/Standards Applicable**

Specified model meets or exceeds the following:

- ADA
- ICC/ANSI A117.1
- CSA B651
- OBC
- ASME A112.18.1/CSA B125.1
- NSF 61
- Energy Policy Act of 2005
- All applicable US Federal and State material regulations

**Colors/Finishes**

- CP: Polished Chrome
- Other: Refer to Price Book for additional colors/finishes

**Accessories**

- NA: None applicable
- Other: Refer to Price Book for additional colors/finishes

**Specified Model**

Model	Description	Colors/Finishes	
K-12171	Kitchen sink faucet – with escutcheon, less sidespray (shown)	<input type="checkbox"/> CP	<input type="checkbox"/> Other ____
K-12172	Kitchen sink faucet – with escutcheon, with handspray	<input type="checkbox"/> CP	<input type="checkbox"/> Other ____
K-12175	Kitchen sink faucet – less escutcheon, less sidespray	<input type="checkbox"/> CP	<input type="checkbox"/> Other ____
K-12176	Kitchen sink faucet – less escutcheon, with sidespray	<input type="checkbox"/> CP	<input type="checkbox"/> Other ____

Optional Accessories		
K-12001	Plug button	<input type="checkbox"/> Other ____
1030920	Sidespray deep roughing-in kit	<input type="checkbox"/> NA

**Product Specification**

The single-handle kitchen sink faucet shall be of metal construction. Product shall have a maximum flow rate of 2.2 gallons (8.3 L) per minute with lower flow aerator options available (refer to the Kohler Price Book). Product shall feature a one-piece, self-contained ceramic disc valve, which allows both volume and temperature control. Product shall feature temperature memory, allowing the faucet to be turned on and off at any temperature setting. Product shall feature a high-temperature limit setting, allowing the faucet to be turned on and off at any temperature setting. Product shall feature a 9" (229 mm) swing spout reach, and flexible connections for easy installation. Product shall be available with or without a matching finish sidespray. Faucet shall be Kohler Model K-\_\_\_\_-\_\_\_\_.

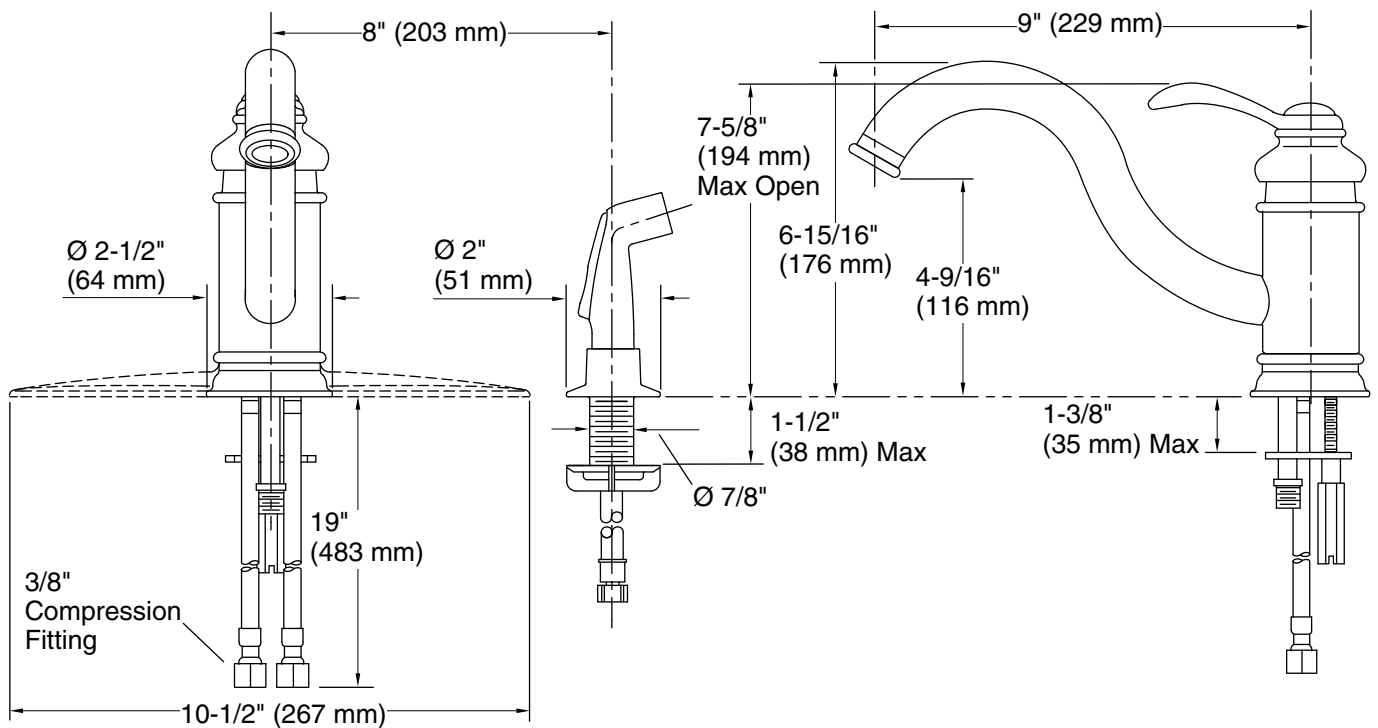
# FAIRFAX®

## Installation Notes

Install this faucet following the installation instructions provided.

**ADA, CSA B651, OBC** compliant when installed to the specific requirements of these regulations.

Product complies with ASME A112.18.1/CSA B125.1. All dimensions are nominal.



## Product Diagram