

### BEFORE YOU BEGIN

#### HOW TO USE THESE INSTRUCTIONS

Please read these instructions carefully to familiarize yourself with the required tools, materials, and installation sequences. Follow the sections that pertain to your particular installation. This will help you avoid costly mistakes. In addition to proper installation, read all operating and safety instructions.

All information in these instructions is based upon the latest product information available at the time of publication. Kohler Co. reserves the right to make changes in product characteristics, packaging, or availability at any time without notice.

These instructions contain important care, cleaning, and warranty information – **please leave instructions for the consumer.**

#### ORDERING INFORMATION

Wellworth Toilet (elongated) .....	K-3422
Wellworth Toilet (round front) .....	K-3423
Wellworth Toilet (10") .....	K-3432
Highline Toilet .....	K-3427
When specified:	
3/8" supply .....	K-7637
Floor bolts (pair) .....	21401

#### NOTES

- Observe all local plumbing and building codes.
- Shut off the water supply.
- Seat post holes are on 5-1/2" centers.
- 2" passageway.

- Water depth from the rim is 6".
- Ensure that the new toilet has the correct roughing-in dimension. The K-3422, K-3423, and K-3427 have a 12" roughing-in dimension. The K-3432 has a 10" roughing-in dimension. **See Fig. #1.**
- Be very careful while working with vitreous china products. Vitreous china can break or chip if the bolts and nuts are overtightened, or if carelessly handled.
- Carefully inspect the new fixture for any sign of damage.
- For new construction, refer to the dimensions in Fig. #1 and Fig. #4 for locating the shut-off valve.
- Fixture dimensions are nominal and conform to tolerances established by ANSI Standards (A112.19.2).



**WARNING: Risk of external leakage.** The fill valve nut has been factory-tightened to design specifications. If re-tightening is required, wrench tighten one turn past finger tight.

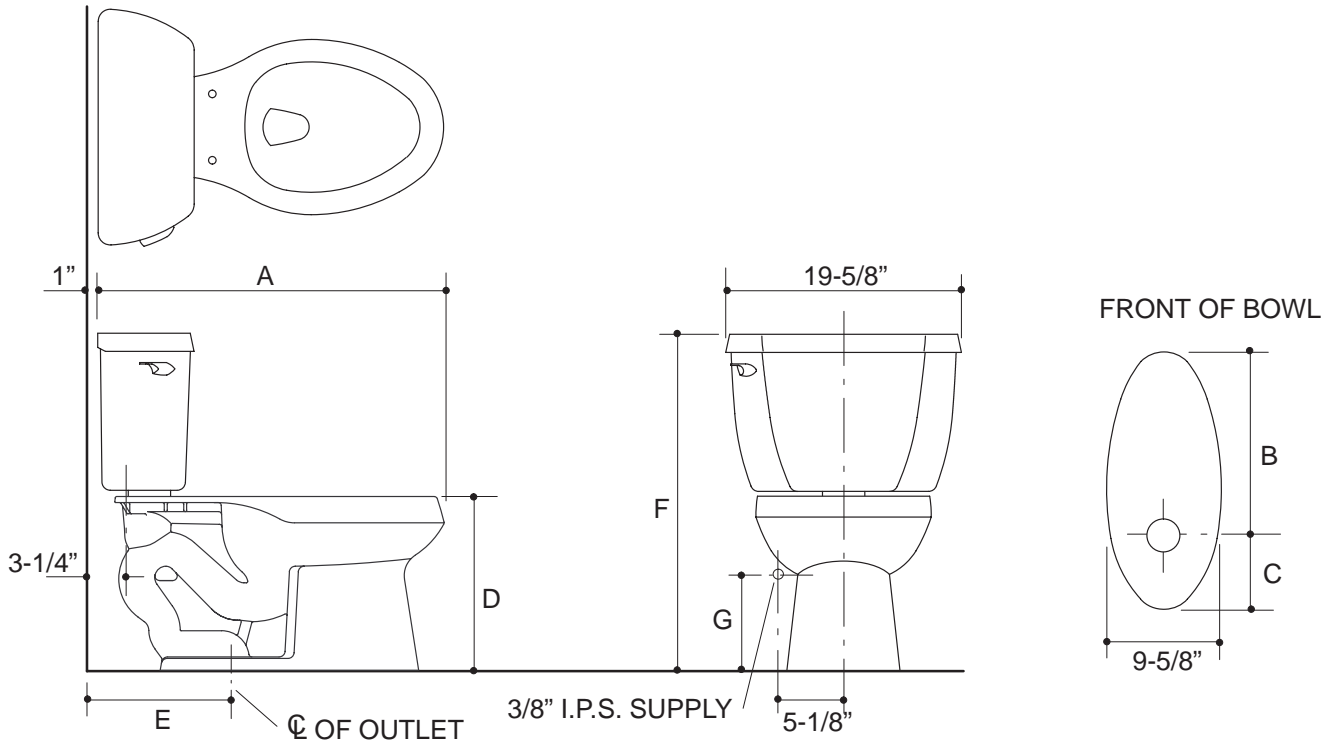
#### TOOLS AND MATERIALS REQUIRED

- 10" adjustable wrench
- 12" pipe wrench
- Metal file (file cut)
- Tape measure
- Tubing cutter
- Level
- Hacksaw
- Putty knife
- Screwdriver
- Toilet gasket (wax seal)
- Toilet T-bolts (2), 5/16" diameter
- Toilet supply shut-off valve, 3/8" recommended

**NOTICE:** If the existing toilet does not have a supply shut-off valve below the tank, install one before installing the new toilet.

# ROUGHING-IN

	A	B	C	D	E	F	G
K-3422	29"	16"	5-5/8"	14-1/2"	12"	28"	8"
K-3423	26-3/4"	14"	6-1/8"	14-1/2"	12"	28"	8"
K-3427	29"	16"	5-5/8"	16-1/2"	12"	30"	10"
K-3432	29"	17-1/2"	4-1/4"	14-1/2"	10"	28"	8"



116

**Fig. #1**

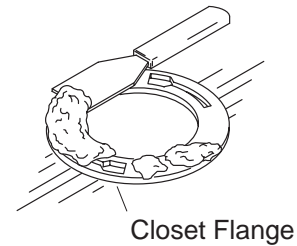
## INSTALLATION

### TO REMOVE EXISTING TOILET

Turn off the water supply. Flush the toilet, and use a sponge to remove the remaining water from the tank and bowl. Disconnect the supply shut-off valve (if present), and remove the old tank and bowl.

Remove the old gasket from the floor and closet flange with a putty knife. Remove the old T-bolts and discard them.

**NOTICE:** If the new toilet is not installed immediately, temporarily stuff a rag in the closet flange.



**Fig. #2**

Install two new 5/16" diameter T-bolts into the closet flange.

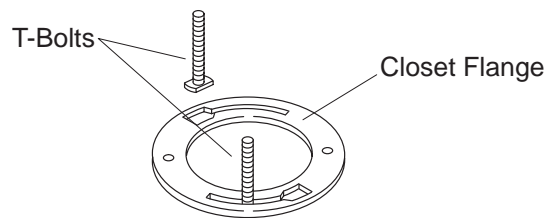


Fig. #3

### TO INSTALL SUPPLY SHUT-OFF VALVE

Install the supply shut-off valve so it is 8" above the finished floor line for all models other than the K-3427. Install the supply shut-off valve 10" above the finished floor for the K-3427. The supply shut-off valve must be 5-1/8" to the left of the closet flange centerline.

The centerline of the supply shut-off valve outlet should extend 3-1/4" from the finish wall. Install the supply shut-off valve with the outlet vertical.

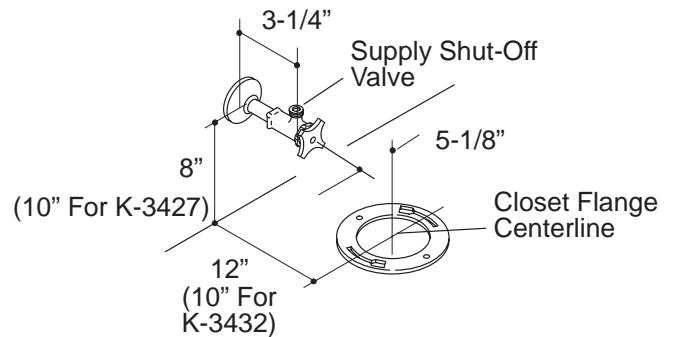


Fig. #4

### TO INSTALL TOILET

Set the toilet upside down on some padding. Firmly press the toilet gasket onto the toilet outlet.

**NOTE:** If you are using a toilet gasket with an integral plastic sleeve, make sure the gasket is positioned with the sleeve facing away from the toilet.

If you temporarily plugged the closet flange with a rag, remove the rag at this time.

Carefully align and lower the toilet over the closet flange and T-bolts. Apply full body weight to the toilet rim to set the seal.

**NOTE:** To achieve optimum performance, be sure the toilet is level.

**CAUTION:** Risk of external leakage. Do not lift or rock the toilet after placement – a new toilet gasket must be installed if you break the watertight seal.

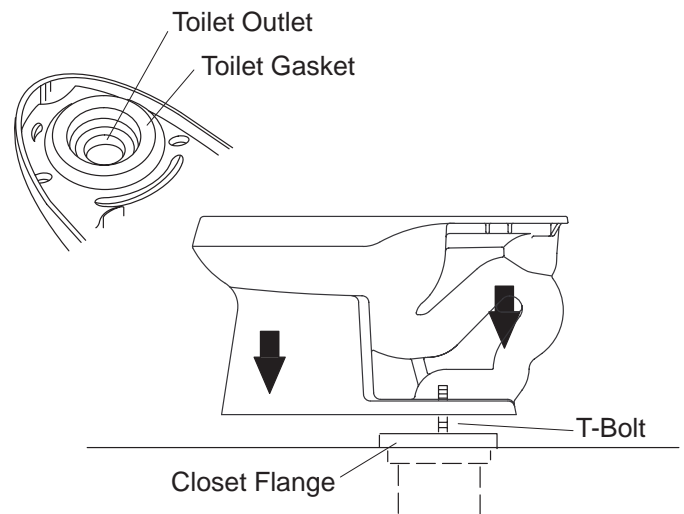
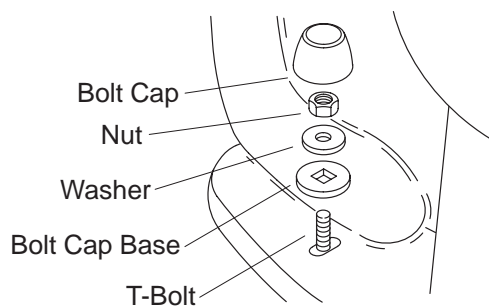


Fig. #5

Assemble the bolt cap bases, washers, and nuts on the exposed T-bolts. Handtighten the nuts, then tighten them an additional 1/2-turn.

**CAUTION: Risk of personal injury or product damage.** Overtightening may cause breakage or chipping of the vitreous china.

If the T-bolts extend more than 1/4" over the top of the nuts, cut off the excess and file the end. Wipe away any residue. Install the bolt caps.



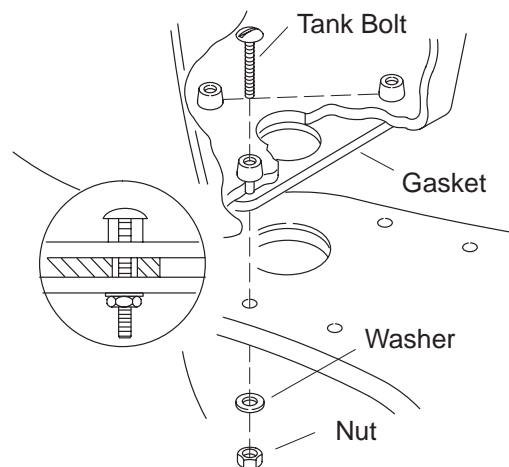
**Fig. #6**

## TO INSTALL TANK

Make sure the three tank bolts extend completely through the holes in the gasket. Set the tank onto the bowl, using the tank bolts as a guide. Center the gasket on the inlet of the bowl. Assemble the washers and nuts onto the bolts.

Alternately tighten the three nuts so the top of the tank and the top of the bowl are both level. Be sure the nuts are tight enough to achieve a watertight seal.

**CAUTION: Risk of product damage:** Overtightening may cause breakage or chipping of the vitreous china bowl or tank.



**Fig. #7**

## TO CONNECT SUPPLY SHUT-OFF VALVE

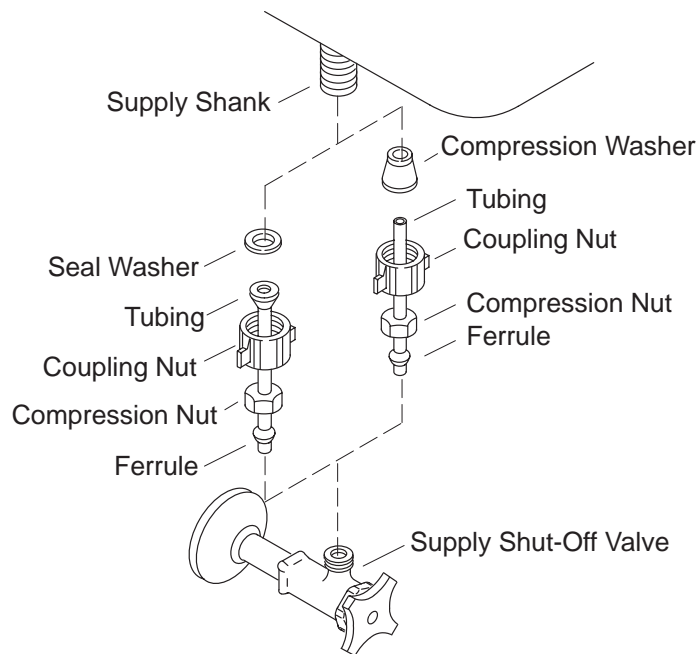
**NOTICE:** Read this section carefully before performing these steps.

For installation of the supply shut-off valve, refer to the installation instructions packed with the valve. Carefully bend the tubing to fit.

Cut the end of the tubing 1/4" longer than the distance between the supply shut-off valve and the supply shank. Remove any burrs from the inside of the tubing.

Slip the coupling nut, compression nut, and ferrule onto the tubing. Insert the tubing into the supply shut-off valve and the supply shank, positioning the seal washer (supplied) or the compression washer (not supplied), as shown. Handtighten the coupling nut, and then tighten the compression nut.

**WARNING: Risk of external leakage.** The fill valve nut has been factory-tightened to design specifications. If re-tightening is required, wrench tighten one turn past finger tight.

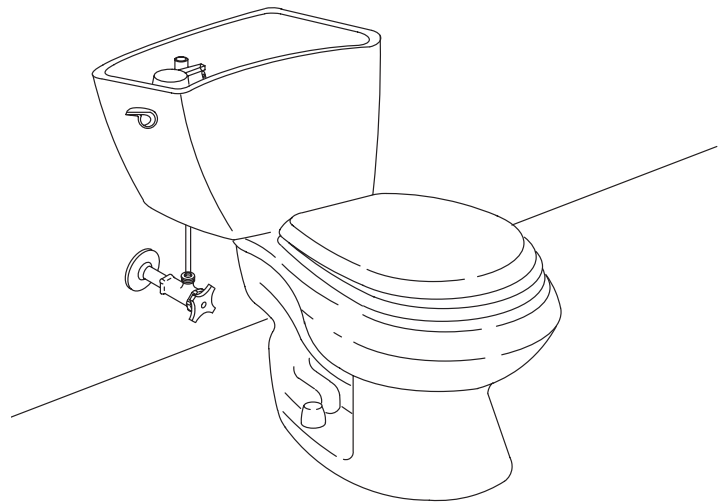


**Fig. #8**

Open the supply shut-off valve and check all connections for leakage. If the connections have been properly assembled, a slight retightening of the nuts should stop any leakage.

If the toilet is leaking between the tank and the bowl, carefully retighten the two brass nuts evenly. Periodically check all the bowl and tank connections for leakage for several days following installation.

Install the toilet seat according to the seat manufacturer's installation instructions.



**Fig. #9**

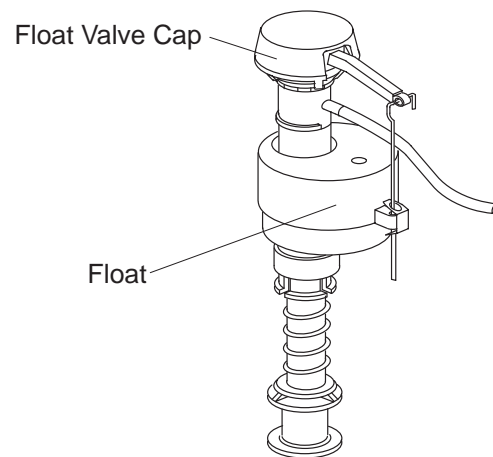
### **FILL FLOAT WITH BALLAST**

Hold the float under water for a few seconds to fill it with water ballast. Adjust the float by sliding it up or down on the float rod until the water level is at the marked water line.

Test flush the toilet.

Periodically check all connections for leaks for several days following installation.

Set the tank cover in place on the tank.



**Fig. #10**

# TROUBLESHOOTING CHART

SYMPTOMS	PROBABLE CAUSES	CORRECTIVE ACTION
1. Poor flush.	<ul style="list-style-type: none"> <li>A. Water level is too low.</li> <li>B. Trapway or rim holes are obstructed.</li> <li>C. Soil pipe or vent is obstructed.</li> <li>D. Supply shut-off valve not fully open.</li> </ul>	<ul style="list-style-type: none"> <li>A. Adjust water tank level.</li> <li>B. Unclog trapway; clean rim holes.</li> <li>C. Clear obstruction from soil pipe or vent.</li> <li>D. Open supply shut-off valve.</li> </ul>
2. Float valve turns on/off by itself without toilet being flushed.	<ul style="list-style-type: none"> <li>A. No slack in flapper chain assembly, holding flapper off seat.</li> <li>B. Flush valve flapper ball worn, dirty or misaligned with flush valve seat; or seat corroded so flapper will not seal.</li> </ul>	<ul style="list-style-type: none"> <li>A. Adjust flapper chain assembly for proper slack.</li> <li>B. Inspect, clean and, if necessary, replace flapper ball and/or seat.</li> </ul>
3. Float valve continues to run, allowing water to enter tank.	<ul style="list-style-type: none"> <li>A. Foreign particles lodged to valve seat or valve seat washer.</li> <li>B. Worn seat washer.</li> <li>C. Tank water level set above overflow level.</li> <li>D. Water leaking past flush ball.</li> <li>E. Trip lever binding, holding flush ball open.</li> </ul>	<ul style="list-style-type: none"> <li>A. Clean valve seat/seat washer, or replace piston/seat washer assembly.</li> <li>B. Replace seat washer.</li> <li>C. Adjust water tank level.</li> <li>D. Replace flush ball.</li> <li>E. Turn trip lever nut clockwise to loosen until trip lever no longer binds.</li> </ul>
4. Incorrect water level height.	<ul style="list-style-type: none"> <li>A. Float valve not adjusted to correct water level.</li> </ul>	<ul style="list-style-type: none"> <li>A. Adjust water tank level.</li> </ul>
5. Long or noisy tank fill cycle.	<ul style="list-style-type: none"> <li>A. Plugged valve inlet or supply line.</li> </ul>	<ul style="list-style-type: none"> <li>A. Clean valve seat/seat washer, or replace piston/seat washer assembly.</li> </ul>
6. Toilet overflows.	<ul style="list-style-type: none"> <li>A. Toilet trapway is obstructed.</li> <li>B. Soil pipe or vent is obstructed.</li> </ul>	<ul style="list-style-type: none"> <li>A. Use plunger to unclog.</li> <li>B. Clear obstruction from soil pipe or vent pipe.</li> </ul>
7. Toilet does not activate.	<ul style="list-style-type: none"> <li>A. Chain is not connected to lift rod or flush valve.</li> </ul>	<ul style="list-style-type: none"> <li>A. Reconnect the chain.</li> </ul>

# IMPORTANT CONSUMER INFORMATION

## CONSUMER RESPONSIBILITIES

If you live in a hard water area, make certain that the holes in the toilet rim are kept clean to ensure proper bowl flushing. Toilet bowl cleaners should be used at least once a week. Use a long-handled brush to clean the rim holes, and to clean as far into the trap as possible to prevent mineral deposits from forming.

Most toilet bowl cleaners are not harmful to the vitreous china surface of the toilet bowl. Please follow the bowl cleaner manufacturer's instructions carefully.

Do not use abrasive cleansers or solvents.



**WARNING: Do not use in-tank cleaners.** Products containing chlorine (calcium hypochlorite) can seriously damage fittings in the tank. This damage can cause leakage and property damage.

Kohler Company shall not be responsible or liable for any tank fitting damage caused by the use of cleaners containing chlorine (calcium hypochlorite).

## REQUESTING SERVICE

Please take a moment to familiarize yourself with the Kohler Warranty, its benefits, and limitations. Kohler Co. and its distributors support you with one of the largest Service Networks of its type. Here's what you need to do if you require service:

**FIRST:** Contact the dealer or contractor who sold and installed the product. They should be able to solve any problems you may have.

**SECOND:** If your dealer or contractor cannot solve the problem, they will contact or supply you with the name of the local Kohler Distributor and the:

 **KOHLER TECHNICAL SPECIALIST**

**THIRD:** If you are unable to obtain warranty service through either your contractor or Kohler Co. distributor, please write us directly at Kohler Co., Attn: Customer Service Department, Kohler, WI 53044 U.S.A.

**FOURTH:** Include all pertinent information regarding your claim, including a complete description of the product, model numbers, colors, finishes, and the date the product was installed. Include a description of the problem, and a photocopy of your invoice for the products involved. Also give us the name of the contractor and distributor.

## LIMITED ONE-YEAR WARRANTY

Kohler plumbing fixtures and fittings are warranted free of manufacturing defects.

Kohler Co. will, at its election repair, replace, or make appropriate adjustment where Kohler Co. inspection discloses any such defects occurring in normal usage within one year after installation. Kohler Co. is not responsible for installation costs.

To obtain warranty service, contact Kohler Co. either through your Dealer or Plumbing Contractor or by writing Kohler Co., Attn: Customer Service Department, Kohler, WI 53044 U.S.A.

Implied warranties, including that of merchantability, are expressly limited in duration to the duration of this warranty. Kohler Co. disclaims any responsibility for consequential damages.

Some states do not allow limitations on how long an implied warranty lasts or the exclusion or limitation of incidental or consequential damages, so this limitation and exclusion may not apply to you. This warranty gives you specific legal rights. You may also have rights which vary from state to state.

This is our exclusive written warranty.

KOHLER CO., KOHLER, WISCONSIN 53044



**KOHLER**®

