

Features

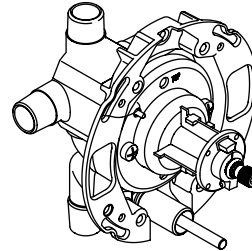
- Brass valve body
- Rite-Temp® pressure-balancing diaphragm design valve
- Pressure-balancing mechanism of one-piece diaphragm cartridge design for ease of maintenance
- Mixing valve cycles from "cold" to "hot"
- Integral diverter mechanism
- High-temperature limit setting for added safety
- Available with or without screwdriver stops
- Integral diverter mechanism

Codes/Standards Applicable

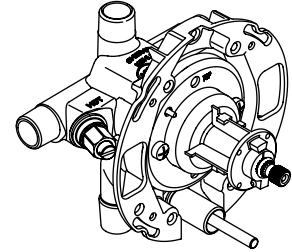
Specified model meets or exceeds the following:

- ASME A112.18.1/CSA B125.1
- ASSE 1016

**PRESSURE-BALANCING VALVE
K-305**



K-305-K



K-305-KS

Colors/Finishes

- NA: None applicable

Accessories

- CP: Polished Chrome
- Other: Refer to Price Book for additional colors/finishes

Specified Model

Model	Description	Colors/Finishes	
K-305-K	Pressure-balancing valve without screwdriver stops	<input type="checkbox"/> NA	
K-305-KS	Pressure-balancing valve with screwdriver stops	<input type="checkbox"/> NA	
Optional Accessories			
73418	Deep rough-in kit for Rite-Temp® valve (all handles)	<input type="checkbox"/> CP	<input type="checkbox"/> Other_____
1016154	Deep roughing-in kit for Rite-Temp® valve (lever and cross handles)	<input type="checkbox"/> CP	<input type="checkbox"/> Other_____

Product Specification

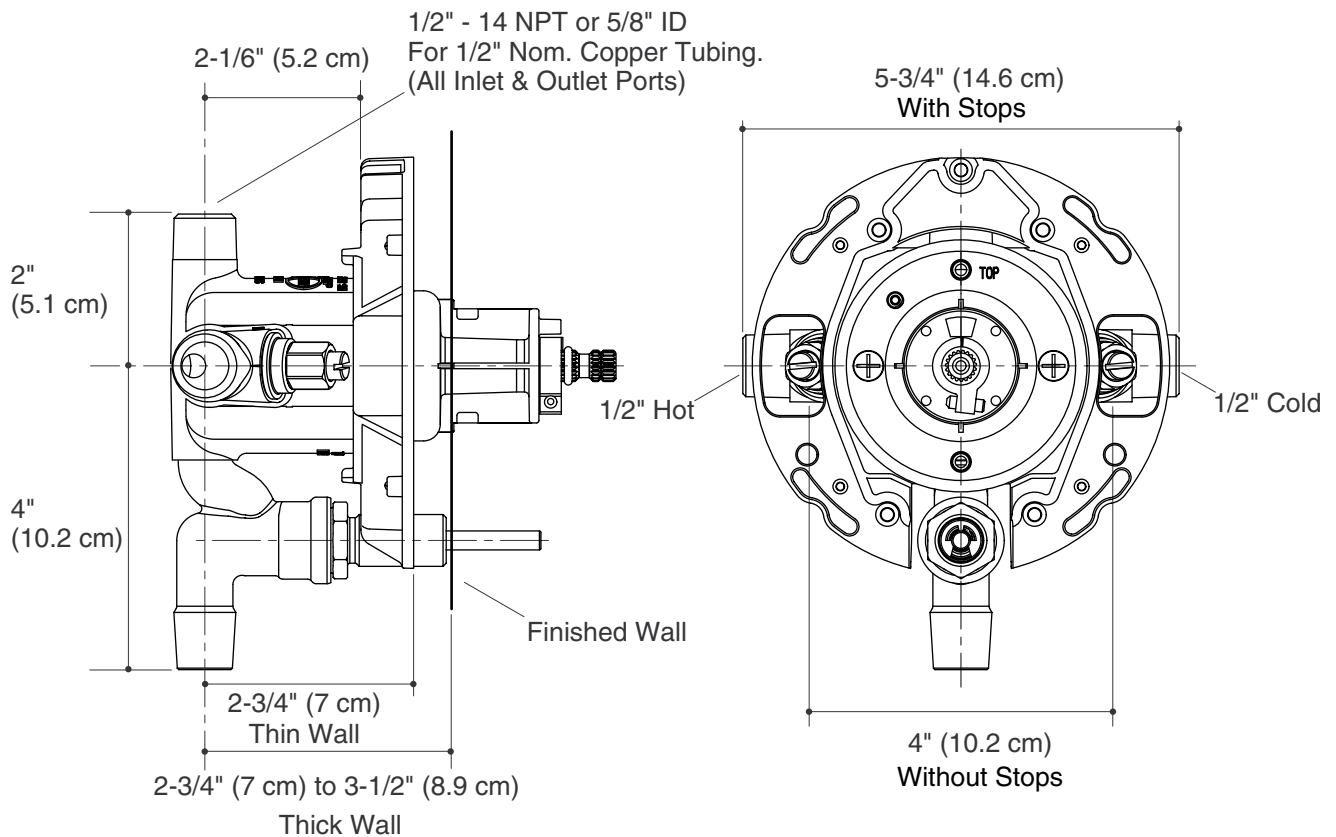
Rite-Temp® pressure-balancing single-control valve shall feature a brass valve body. The valve shall mix the water from the "off" position, through the "cold" to the "hot", and includes a high-temperature limit stop. The pressure-balancing mechanism shall be of one-piece diaphragm cartridge design for ease of maintenance. Product shall feature integral diverter mechanism. Optional feature shall be with or without screwdriver stops. Rite-Temp® valve shall be Kohler Model K-305-_____-NA.

RITE-TEMP®

Installation Notes

Avoid cross-flow conditions. Do not install shut-off device on either valve outlet.

Install straight pipe or tube drop of 7" (17.8 cm) to 18" (45.7 cm) with single elbow between valve and wall-mount spout. Refer to the installation instructions for the proper configuration of the connection between the valve and bath spout.



Product Diagram