

### BEFORE YOU BEGIN

#### A. HOW TO USE THESE INSTRUCTIONS

Please read these instructions carefully to familiarize yourself with the required tools, materials, and installation sequences. Follow the sections that pertain to your particular installation. This will help you avoid costly mistakes. In addition to proper installation, read all operating and safety instructions.

All information in this manual is based upon the latest product information available at the time of publication. Kohler Co. reserves the right to make changes in product characteristics, packaging, or availability at any time without notice.

These instructions contain important care, cleaning, and warranty information – **please leave instructions for the consumer.**

#### B. HOW TO USE THESE INSTRUCTIONS

- Install unit to a level subfloor.
- Provide properly dimensioned framing.
- Baths are designed for a variety of installations, depending upon the model chosen.

#### C. PLUMBING SPECIFICATIONS

Confirm adequate mounting and connection space of the faucet specified for your installation.

#### D. PRODUCT INSPECTION

Carefully unpack and inspect the bath for damage. Leave all materials in the carton during construction to prevent damage.

Do not remove the clear protective film from the bath surface until installation is complete.

#### E. CONNECTIONS AND SERVICE ACCESS

Before installation, ensure proper access to the final connections.

**NOTICE:** An access panel for drain connections will simplify future maintenance.

### INSTALLATION REQUIREMENTS

#### A. TOOLS REQUIRED

- Conventional woodworking tools
- Rule
- Level
- Safety shoes
- Safety glasses
- Square
- Utility knife

#### B. MATERIALS REQUIRED

- Plumbers putty
- Wall coverings, as necessary
- Silicone sealant
- Gypsum cement (optional)
- Construction adhesive (optional)
- 2x4's
- Drop cloth
- Nails

### C. CLEARANCE REQUIREMENTS

Check the roughing-in and room dimensions to provide adequate available space for the bath unit.

### D. NEW OR REPLACEMENT INSTALLATION REQUIREMENTS

This bath can be installed in new or existing bathrooms.

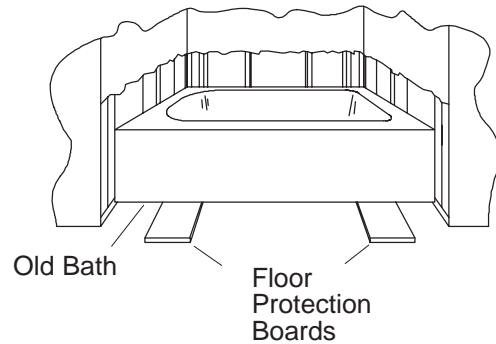
**For new installations:** Position the plumbing according to the roughing-in document packed with the bath. Cap the supplies, and check for leaks.

**For replacement installations:** Remove the old bath. Remove the old wall material, and remove any old floor covering from the area. Remove any old plumbing that does not conform to roughing-in requirements.

## SITE REQUIREMENTS

### A. OLD BATH REMOVAL

Disconnect the drain at the trap. Remove the old wall material. **Slip boards under the old bath feet to protect the floor** and slide the old bath out of the recess as illustrated.



### B. SUBFLOOR PREPARATION

Check the flooring under the bath, and make repairs as needed. Make sure the subfloor is level.

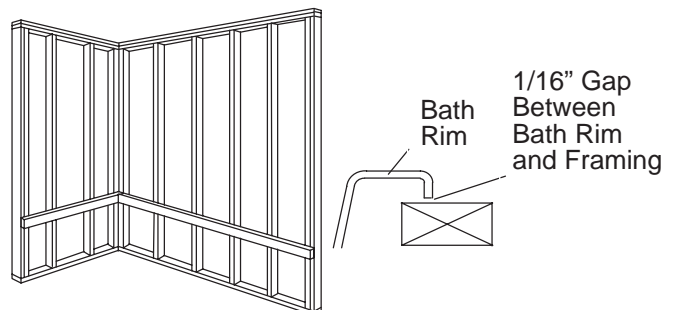
### C. STUD POCKET PREPARATION

Construct a recess designed for your particular installation. Framing is of 2x4 construction. When constructing the framing, allow for the thickness of sub and finish wall materials.

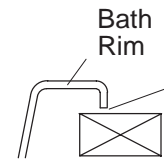
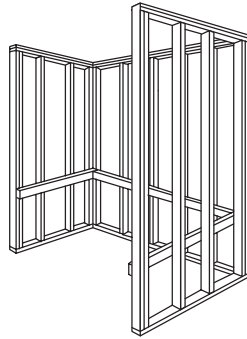
If an apron wall without a ledge is desired, the finished apron wall surface must be 1/16" under the bath rim.

Possible stud frame arrangements are illustrated below. Use the stud construction appropriate for your particular bath model. Some modifications may be needed for other types of construction, if preferred.

1. **Corner Installation:** The suggested stud construction is illustrated.

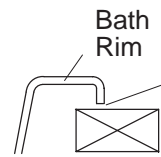
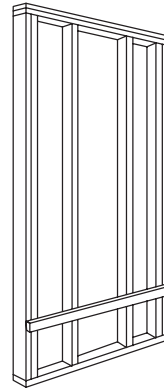


2. **Recess Installation:** The suggested stud construction is illustrated.



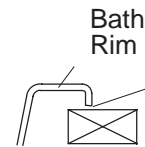
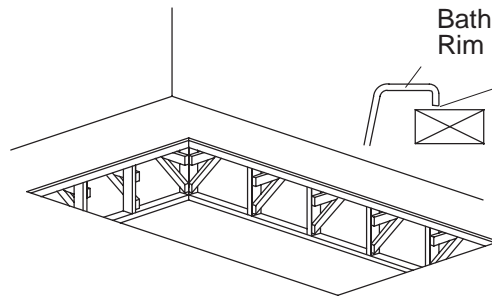
1/16" Gap  
Between  
Bath Rim  
and Framing

3. **Peninsular Installation:** The suggested stud construction is illustrated.



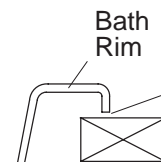
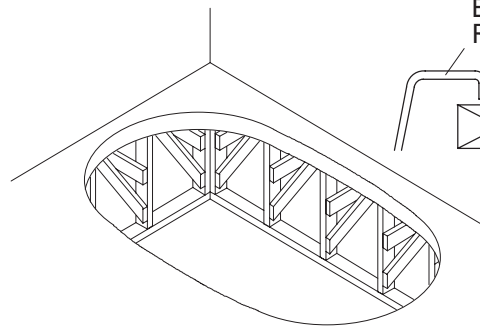
1/16" Gap  
Between  
Bath Rim  
and Framing

4. **Sunken Installation (excluding oval models):** The suggested stud construction is illustrated. Refer to the roughing-in document packed with the bath. **Do not hang the bath by the rim.**



1/16" Gap  
Between  
Bath Rim  
and Framing

5. **Sunken Installation (oval models):** Carefully position the bath face down in the desired installation location. Draw a line around the entire edge. Measure in from the line 3/4", and draw a second line. **This is your cut line.** Cut out by following the cut line. Make sure the bath will be supported by the bath base, not the rim. **Do not hang the bath by the rim.**



1/16" Gap  
Between  
Bath Rim  
and Framing

#### D. PLUMBING PREPARATION

Position the plumbing according to the roughing-in dimensions. Cap the supplies, and check for leaks.

## BEFORE INSTALLING UNIT

### A. TILING-IN BEAD INSTALLATION

An optional tiling-in bead is recommended for the side of the bath that contacts the wall. This bead prevents water from seeping between the bath and the wall. Refer to Ordering Information located on the Roughing-In document packed with the bath.

Install this bead now. Refer to the installation instructions packed with the tiling-in bead.

### B. PARTIALLY INSTALL BATH DRAIN

Install the drain on the bath according to the drain manufacturer's instructions.

### C. PROTECT BATH UNIT

Position a drop cloth or similar material in the bottom of the unit. Be careful not to scratch the surface of the product.

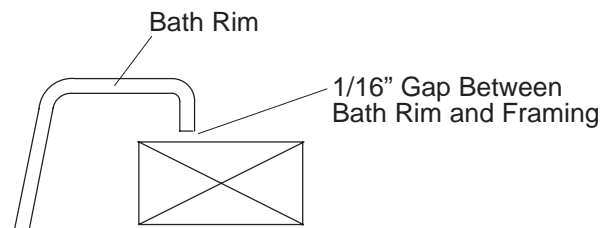
## INSTALL THE BATH

### A. BATH SET-IN


**Choose the installation option** (Step 1., 2., or 3. below) that applies to your particular installation. Follow the appropriate instructions.

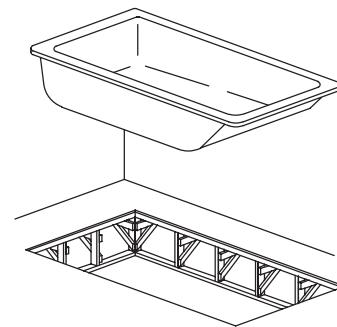
If the subfloor is not level, some shimming of the bath will be necessary.

**NOTICE: Do not hang the bath by the rim.**



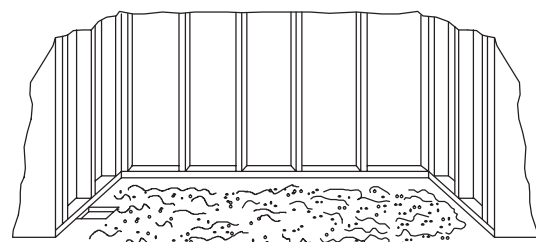
1. **Option For Sunken Installation:** Set the bath into the sunken installation. Make sure the unit is level and is resting on the bath base. Insert the drain tailpiece into the trap. Apply a bead of silicone sealant under the rim of the unit.

 **Risk of product damage.** Do not hang the unit by the rim.

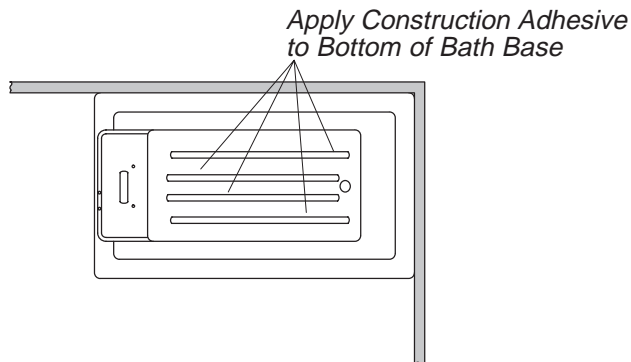


2. **Option For Using Gypsum:** Spread a 2" thick layer of gypsum cement on the floor where the bath is to be set. This will help secure, level, and support the unit. Set the bath into position.

Insert the drain tailpiece into the trap. Make sure the bath is level and resting flat on the bath base.



3. **Option For Using Construction Adhesive:** Apply a generous amount of construction adhesive to the bottom of the base. Set the bath in the desired location, and level it.
- Insert the drain tailpiece into the trap. Make sure the bath is level and resting flat on the bath base.

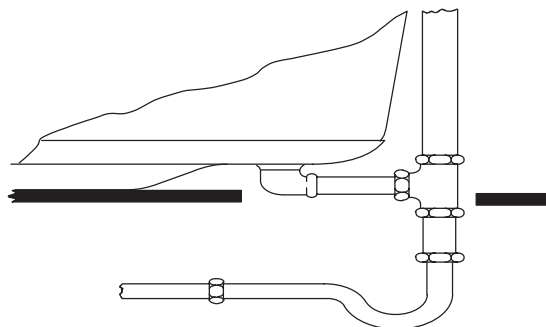


## B. INSTALL PLUMBING

**CAUTION:** Risk of damage to bath bottom and subfloor. Ensure a watertight seal on the bath drain connections.

1. When the bath is securely positioned, connect the drain to the trap.

**NOTE:** An access panel for the drain connections will simplify future maintenance.



2. Install the faucet valving and spout tee. Open the hot and cold water valves, and check the supply connections for leaks.

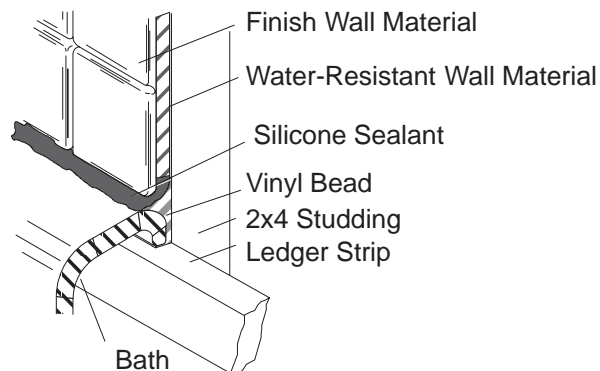
3. Run water into the bath, and check the drain connections for leaks.

## COMPLETE FINISH WALL

**CAUTION:** Risk of product damage. Do not support the weight of the bath by the rim.

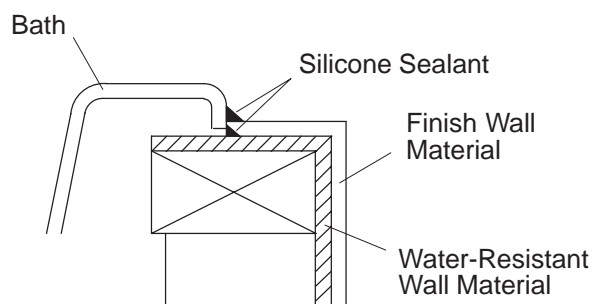
Protect the bath surface. Make sure the vinyl bead is attached securely to the sides being built into the wall. Cover the framing and walls with water-resistant wall material.

Tape and mud the water-resistant wall material. Seal the wall material and joints under the bath rim. Install the finish wall material. Seal the joints between the bath rim and the finish wall with silicone sealant. RTV (Room Temperature Vulcanizing) sealant is recommended.



For installations that do not use a vinyl bead, cover the framing with water-resistant wall material as shown. Seal the joints between the bath rim edge and the wall material with silicone sealant.

Tape and mud the water-resistant wall material. Install the finish wall material to the wall material as shown. Seal the joints between the bath rim and the finish wall material with silicone sealant.



## COMPLETE INSTALLATION

### A. INSTALL HANDLES AND SPOUT

Attach the handles and spout to complete the faucet installation according to the faucet manufacturer's instructions.

### B. REMOVE PROTECTIVE FILM

Carefully remove the clear protective film covering the bath surface.

## CLEAN-UP AFTER INSTALLATION

When cleaning up after installation, **do not use abrasive cleansers** as they may scratch and dull the bath surface. Use warm water and a liquid detergent to clean the surface.

Stubborn stains, paint, or tar can be removed with turpentine or paint thinner. **Do not allow cleaners containing petroleum distillates to remain in contact with bath surfaces for long periods of time.** Plaster can be removed by scraping with a wood edge. Do not use metal scrapers, wire brushes, or other metal tools. A powder-type detergent may be used on a damp cloth to provide mild abrasive action to the residual plaster.

## IMPORTANT CONSUMER INFORMATION

### A. REQUESTING SERVICE

Please take a moment to familiarize yourself with the Kohler Warranty, its benefits, and limitations. Kohler Co. and its distributors support you with one of the largest Service Networks of its type. Here's what you need to do if you require service:

1. Contact the dealer or contractor who sold and installed the product. They should be able to solve any problems you may have.

2. If your dealer or contractor cannot solve the problem, they will contact or supply you with the name of the local Kohler Distributor and the:

 KOHLER TECHNICAL SPECIALIST

3. If you are unable to obtain warranty service through either your contractor or Kohler Co. distributor, please write us directly at Kohler Co., Attn: Customer Service Department, 444 Highland Drive, Kohler, WI 53044 U.S.A.

4. Include all pertinent information regarding your claim, including a complete description of the product, model numbers, colors, finishes, and the date the product was installed. Include a description of the problem, and a photocopy of your invoice for the products involved. Also give us the name of the contractor and distributor.

### B. LIMITED ONE-YEAR WARRANTY

Kohler plumbing fixtures and fittings are warranted free of manufacturing defects.

Kohler Co. will, at its election repair, replace, or make appropriate adjustment where Kohler Co. inspection discloses any such defects occurring in normal usage within one year after installation. Kohler Co. is not responsible for installation costs.

To obtain warranty service, contact Kohler Co. either through your Dealer or Plumbing Contractor or by writing Kohler Co., Attn: Customer Service Department, 444 Highland Drive, Kohler, WI 53044 U.S.A., or by calling **1-800-4-KOHLER** from within the U.S.A.

**Implied warranties, including that of merchantability and fitness for a particular purpose, are expressly limited in duration to the duration of this warranty. To the extent permitted by law, Kohler Co. disclaims all implied warranties including merchantability and fitness for a particular purpose. Kohler Co. disclaims any liability for special, incidental, or consequential damages.**

Some states do not allow limitations on how long an implied warranty lasts or the exclusion or limitation of incidental or consequential damages, so this limitation and exclusion may not apply to you. This warranty gives you specific legal rights. You may also have rights which vary from state to state.

This is our exclusive written warranty.

Kohler Co., Kohler, Wisconsin 53044

### C. CLEANING YOUR ACRYLIC BATH

One of the joys of owning a Kohler acrylic unit is the ease of cleaning. There are no seams or tight corners for lime or mildew build-up. As with any smooth surface, **avoid using abrasive cleansers** on your acrylic bath. Abrasive cleansers will scratch and dull the surface. It also helps if you wipe out your bath after each use to prevent a build-up of soap and mineral deposits.

If the surface of your acrylic unit becomes dull, you may use an automotive-type rubbing compound on the unit followed by a good application of paste wax.

**NOTICE: Risk of product damage.** Avoid products containing the following chemicals, as they will damage the finish: acetone, ethyl alcohol, amyl or ethyl acetate, sodium hypochlorite, toluene, phenol. Extreme heat, such as that generated by cigarettes or portable heaters, can damage bath surfaces; do not use such items near your bath.



**KOHLER**®

