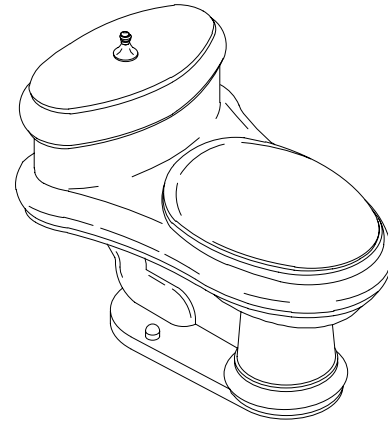


### FEATURES

- 12" rough-in
- Vitreous china
- Elongated bowl
- 8" x 8" water area
- Includes seat and cover
- Includes polished chrome lift knob
- One-piece
- Less supply
- 1.6 gpf
- Polished brass lift knob and seat trim (-BR)
- Brushed chrome lift knob and polished chrome seat trim (-G)



### CODES/STANDARDS APPLICABLE

Specified model meets or exceeds the following:

- ASME/ANSI A112.19.2M
- ASME/ANSI A112.19.6M
- Energy Policy Act of 1992 (EPACT)
- IAPMO/UPC
- Canadian Standards Association (CSA)
- States of Massachusetts, New York, & Texas
- City of Los Angeles, CA

### COLORS/FINISHES

- 0 White
- Other Refer to Fixtures Price Book for additional colors

#### Accessories:

- CP Polished Chrome
- PB Polished Brass
- Other Refer to Fixtures Price Book for additional colors

### SPECIFIED MODEL:

Model	Description	Colors/Finishes	
		<input type="checkbox"/> 0 White	<input type="checkbox"/> Other_____
K-3360	Elongated bowl toilet	<input type="checkbox"/> 0 White	<input type="checkbox"/> Other_____
K-3360-BR	Toilet with polished brass lift knob and seat trim	<input type="checkbox"/> 0 White	<input type="checkbox"/> Other_____
K-3360-G	Toilet with brushed chrome lift knob and polished chrome seat trim	<input type="checkbox"/> 0 White	<input type="checkbox"/> Other_____

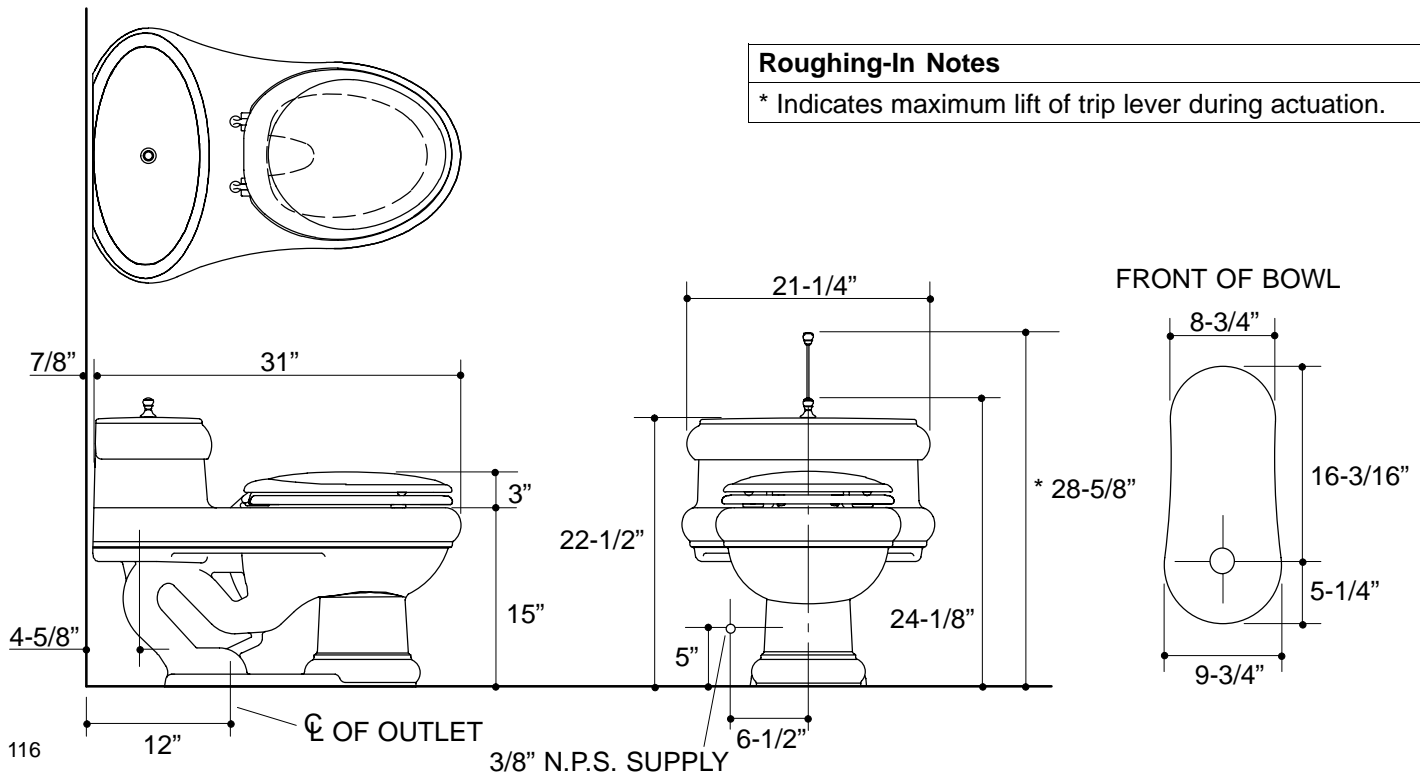
Recommended Accessories			
K-7637	Angle supply with stop	<input type="checkbox"/> CP	<input type="checkbox"/> PB <input type="checkbox"/> Other_____

### PRODUCT SPECIFICATION:

The elongated one-piece toilet shall be 12" rough-in. Toilet shall be made of vitreous china. Toilet shall have 8" x 8" water area. Toilet shall include seat and cover. Toilet shall include polished chrome lift knob. Toilet shall be less supply. Toilet shall be 1.6 gpf. Toilet shall have polished brass lift knob and seat trim (-BR). Toilet shall have brushed chrome lift knob and polished chrome seat trim (-G). Toilet shall be Kohler Model K-3360-\_\_\_\_\_ - \_\_\_\_\_.

## PRODUCT INFORMATION

Fixture:	
Configuration	1-piece, elongated
Gallons per flush	1.6 gallons
Passageway	2"
Water area	8" x 8"
Water depth from rim	6"
Seat post hole centers	5-1/2"
Included Components:	
Tank cover	83347
Seat	K-4615
Bolt cap accessory pack	52048
Tank accessory pack	84301



## PRODUCT DIAGRAM