

## 1. BEFORE YOU BEGIN

### A. HOW TO USE THESE INSTRUCTIONS

Please read these instructions carefully to familiarize yourself with the required tools, materials, and installation sequences. Follow the sections that pertain to your particular installation. This will help you avoid costly mistakes. In addition to proper installation, read all operating and safety instructions.

All information in these instructions is based on the latest product information available at the time of publication. Kohler Co. reserves the right to make changes in product characteristics, packaging, or availability at any time without notice.

These instructions contain important installation information - **please leave instructions for the consumer.**

### B. NOTES

- Do not install spouts with flow restrictors or hand held shower units on the large (5/8" O.D.) bath outlet.
- The Kohler two-way diverter is designed for use with Kohler non-diverting bath spouts.
- Carefully read entire instructions before beginning installation; illustrations do not show all possible configurations.
- Provide an access panel for all installations.
- **Remove all internal components of the diverter valve before soldering.** Kohler Co. recommends soldering supply and optional outlet connections to avoid potential leakage.
- Observe all local plumbing and building codes.

### C. REQUIRED TOOLS AND MATERIALS

- Open end/adjustable wrenches
- Hole cutting equipment
- Soldering equipment and supplies
- Supply piping, connectors, and caps
- Tape measure
- 3/32" hex wrench

## D. ROUGHING-IN DIMENSIONS

Turn off hot and cold water supplies.

Install or relocate supply tubing to conform to roughing-in dimensions.

See Fig. #1 for roughing-in dimensional requirements.

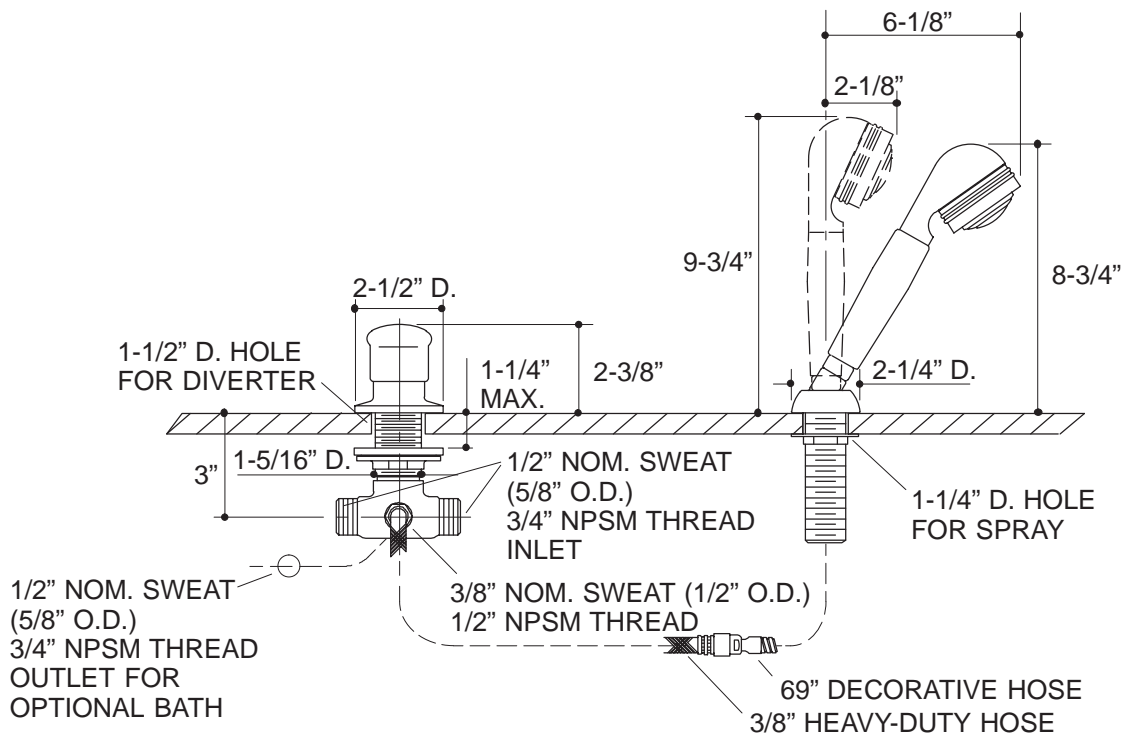
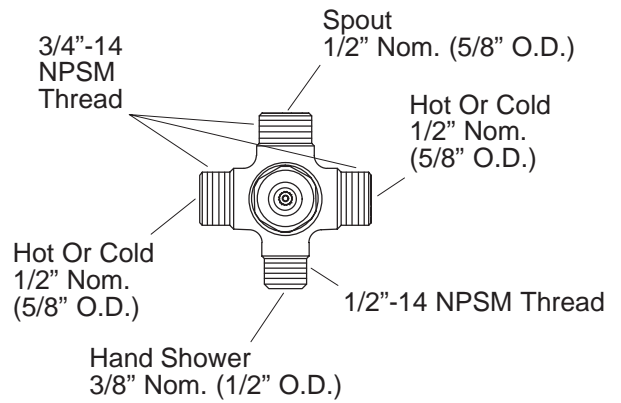


Fig. #1

## E. DIVERTER CONFIGURATION

For soldering and maintenance access to the diverter components, the cartridge must be removed. The torque necessary to remove this cartridge may twist a long span of unsupported pipe. The diverter must be secured by hand via an access panel or by permanent blocking.

**See Fig. #2.** Verify location of components and orientation of ports. The opposing pair of larger 1/2" nominal ports are the interchangeable hot and cold ports. The remaining large port is the outlet for an optional bath spout. Default flow is through this large outlet. The small port is for the supplied hand shower hose.



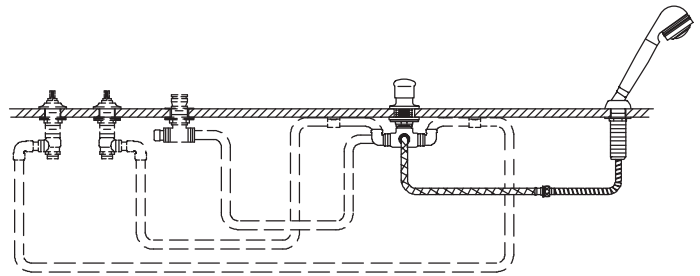
**Fig. #2**

Decide in advance on the location and orientation of the diverter. The location of the hand shower and optional components, and the direction in which the inlets/outlets point, will affect the piping and connectors needed.

**See Fig. #3.** Allow clearance for valve outlets, handles, and hand shower hoses. For use with optional spout, also allow clearance for spout connection.

The distance between the diverter and the heavy duty hose connection can be extended with piping below the rim, but may not be safe or practical. A long run of piping will mean a long run of room-temperature standing water when the hand shower is first activated for use.

Long runs of piping should be secured to the underside of the deck/rim. If piping cannot be secured at a point near the diverter, secure the diverter from underneath with blocking lumber or an angle bracket.



**Fig. #3**

## 2. INSTALLATION SEQUENCE

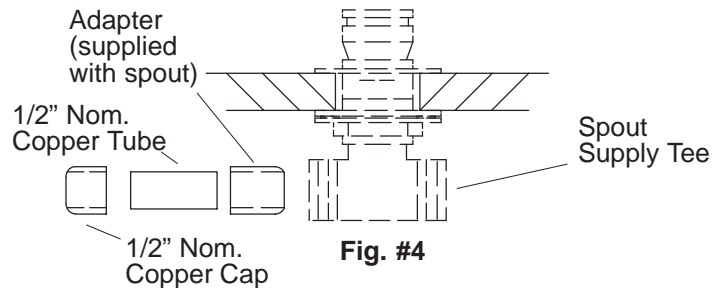
### A. BEFORE SOLDERING

Provide an access panel for all installations.

**See Fig. #1.** Provide a bath deck/rim surface roughed-in in accordance with the front page roughing-in dimensions. Consult rough-in diagrams for optional outlets and valves. Allow for access to the connection between the hand shower high pressure hose and the hand shower interlock hose.

For easiest installation, do not install bath unit until all soldering (except supplies) is complete. Then install bath and connect supplies.

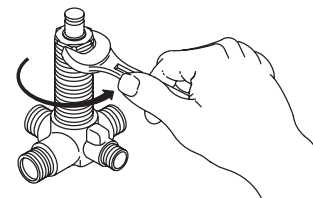
**See Fig. #4.** For optional spout, install spout shank per spout installation instructions. If possible, do not install plated finished portion of spout until all other installation and construction is complete. If spout has a supply tee, solder in an adapter, 1/2" copper tube and cap to close port.



Install valve bodies per valve body installation instructions. Loosely secure valve bodies.

Per handle installation instructions, temporarily assemble handles to adjust valves to proper height before connecting lines to diverter or supply.

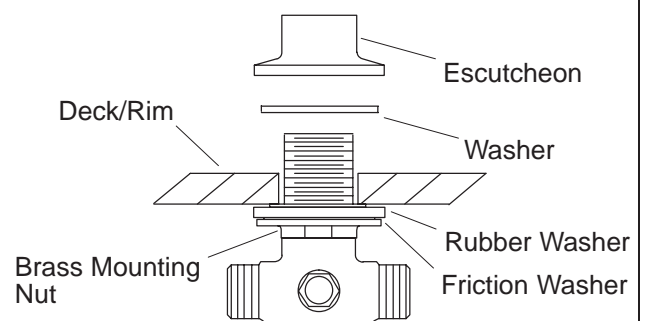
**See Fig. #5.** Remove the cartridge assembly, as this is most easily done before the diverter valve is attached to the rim. Use an open-end wrench, turning counterclockwise, to initially loosen the cartridge assembly, then continue to unscrew until free. Set aside cartridge assembly.



**Fig. #5**

**NOTE:** You may need a helper to align and secure the diverter.


**See Fig. #6.** Screw the mounting nut onto the diverter valve body as far down as it will go; slip the friction washer and rubber washer over the nut. Place diverter valve body up through deck/rim. Place washer and escutcheon on diverter valve body. Loosely screw the escutcheon down onto the diverter valve body to hold diverter in place.



**Fig. #6**

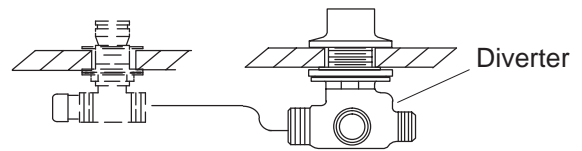
Continue to thread escutcheon onto diverter valve body until the top of the escutcheon is flush with the valve body. This will allow clearance for proper handle function. Align the inlets and outlets. Hand-tighten the mounting nut.

## B. SOLDER CONNECTIONS

 **CAUTION:** Internal cartridge assembly should still be removed.

Dry-fit all piping and connectors.

See Fig. #7. Solder piping for optional spout or wall shower. Then connect the hot and cold lines from valves to diverter.



Side View

Fig. #7

## C. AFTER SOLDERING

See Fig. #8. For hand shower hose guide, place the washer over the top of the shank. Thread hose guide escutcheon onto top of shank. From underside, thread shank nut onto shank and tighten firmly.

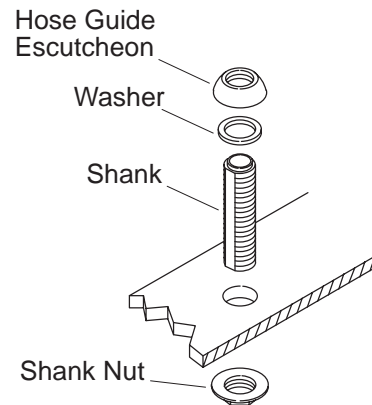


Fig. #8

See Fig. #9. The decorative interlock hose has a smooth plated finish. One end of this hose is smaller. Feed this smaller end down through the hose guide, and attach, with a washer, to the heavy duty high pressure hose.

See Fig. #9. (Optional): Thread the supplied elbow assembly, with screen, onto the hand shower. Thread the decorative interlock hose, with washer, onto elbow assembly.

(All installations): Place washer in hose end of heavy-duty hose; tighten to diverter body outlet or custom outlet extension.

**NOTE:** Be sure to untwist loops in the hose to avoid kinking.

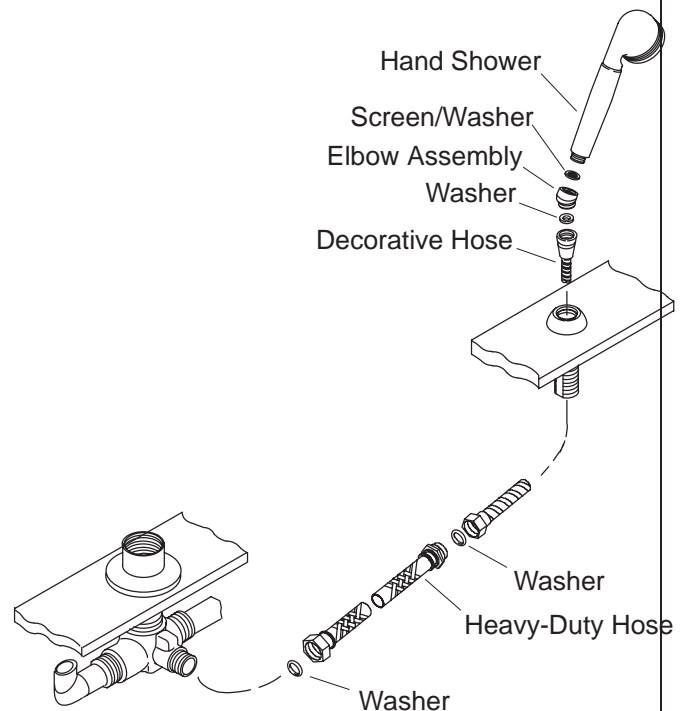
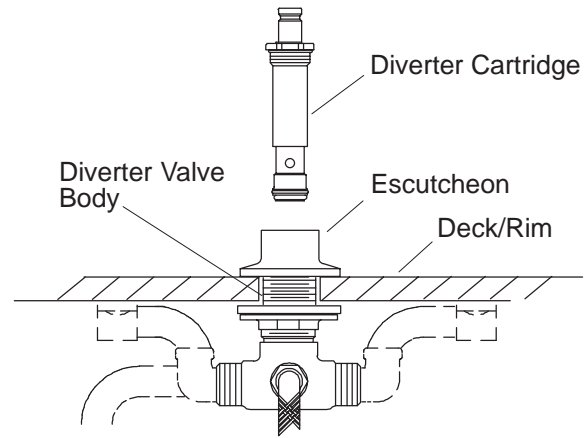


Fig. #9

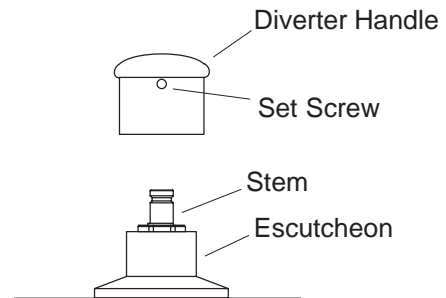
**See Fig. #10.** While supporting from below, carefully install and wrench-tighten the cartridge into the diverter valve body.



**NOTE: Provide Diverter Support**

**Fig. #10**

**See Fig. #11.** Install handle and tighten set screw using 3/32" hex wrench.

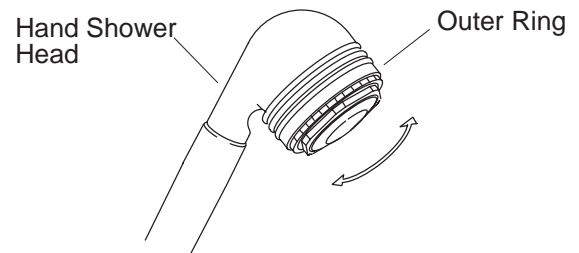


**Fig. #11**

Complete installation and troubleshooting for valve, valve trim, and optional outlet per instructions packed with them.

Confirm proper diverter operation.

**See Fig. #12.** Check hand shower head for smooth operation. Grasp the outer ring of the shower head and gently rotate clockwise or counterclockwise. There are two small detents within the outer ring to divide the three operating positions.



**Fig. #12**



