

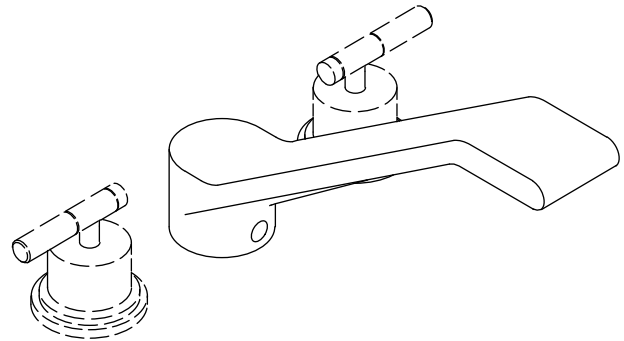
**Features**

- Brass construction
- Bath- or deck-mount
- Variety of handle style options
- Requires 1/2" high-flow ceramic disc valve system [K-300-K]
- 9-5/8" (244 mm) bullnose non-diverter spout with slip-fit connection

**Codes/Standards Applicable**

Specified model meets or exceeds the following:

- ASME A112.18.1/CSA B125.1
- ADA
- ICC/ANSI A117.1



**Colors/Finishes**

- CP: Polished Chrome
- PB: Vibrant® Polished Brass
- Other: Refer to Price Book for additional colors/finishes

**Accessories**

- CP: Polished Chrome
- Other: Refer to Price Book for additional colors/finishes
- NA: None applicable

**Specified Model**

Model	Description		Colors/Finishes		
K-T8230-4	Bath faucet spout with lever handles (shown)		<input type="checkbox"/> CP	<input type="checkbox"/> PB	<input type="checkbox"/> Other _____
K-T8230-4A	Bath faucet spout with swirl lever handles		<input type="checkbox"/> CP	<input type="checkbox"/> PB	
<b>Required Accessories</b>					
K-300-K	1/2" high-flow ceramic disc valve system				<input type="checkbox"/> NA

**Product Specification**

Bath faucet trim shall be of brass construction. Product shall be for bath or deck-mount installation. Product shall include 9-5/8" (244 mm) bullnose non-diverter spout with slip-fit connection. Product shall be available with a variety of handle style options. Product requires 1/2" high-flow ceramic disc valve system [K-300-K]. Bath faucet trim shall be Kohler Model K-T8230-\_\_\_\_\_-\_\_\_\_\_- and required valve system shall be Kohler Model K-300-K-NA.

# TABORET®

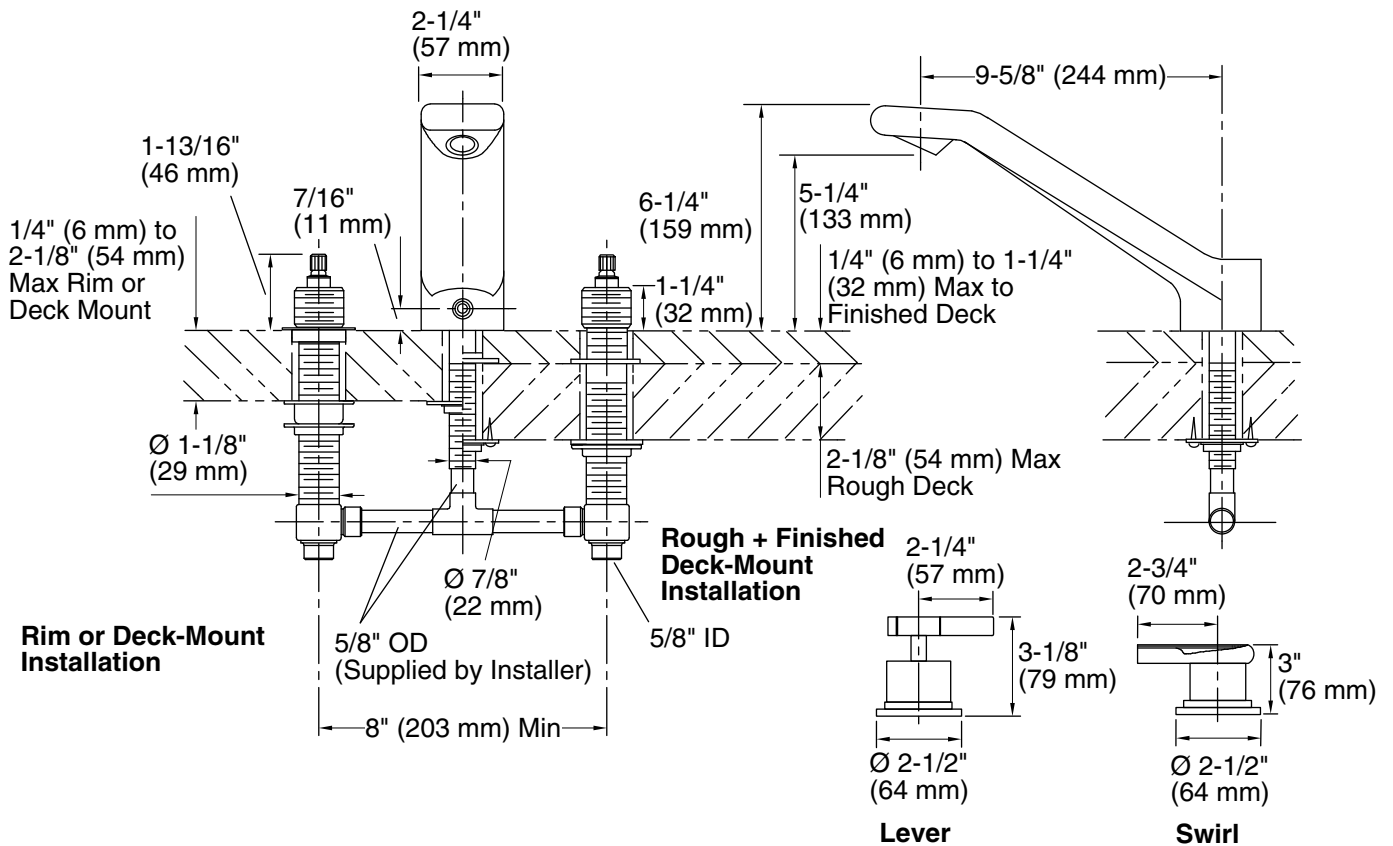
Optional Accessories			
58598	Deep roughing-in for high-flow deck-mount bath faucets (all handles)	<input type="checkbox"/> CP	<input type="checkbox"/> Other_____

## Installation Notes

Install this product according to the installation guide.

For complete faucet, both faucet trim and valve system must be specified.

Dimension allows +/- 1/4" (6 mm) handle adjustment during handle trim installation.



Product Diagram