

INSTALLATION INSTRUCTIONS

BEFORE YOU BEGIN

HOW TO USE THESE INSTRUCTIONS

Please read these instructions carefully to familiarize yourself with the required tools, materials, and installation sequences. Follow the sections that pertain to your particular installation. This will aid you in avoiding the unnecessary expense associated with improper installation. In addition to proper installation, read all operating and safety instructions.

All information in these instructions is based on the latest product information available at the time of publication. Kohler Co. reserves the right to make changes in product characteristics, packaging, or availability at any time without notice.

ORDERING INFORMATION

Three-way hand shower*	K-9502
Regular hand shower*	K-9503
Brush attachment kit	K-9504
Wall supply elbow	K-9513
Shower hose	K-9514
Adjustable bracket	K-9515
Shower bar	K-9516
Soap dish	K-9517
Three-way hand shower - Revival*	K-16126

* A check valve installed in the hand shower provides anti-siphonage/back pressure protection. Consult local plumbing code for vacuum breaker requirements. If required, Kohler offers the K-13056 or K-9660 vacuum breaker.

TOOLS AND MATERIALS REQUIRED

- 1/2" shower ell
- Adjustable wrench
- Strap wrench
- Thread sealant
- Clear silicone caulk
- 3/8" hex wrench
- 3/16", 1/4" and 3/8" masonry drill bits

INSTALLATION

For rough-in dimensions, see Fig. #1.

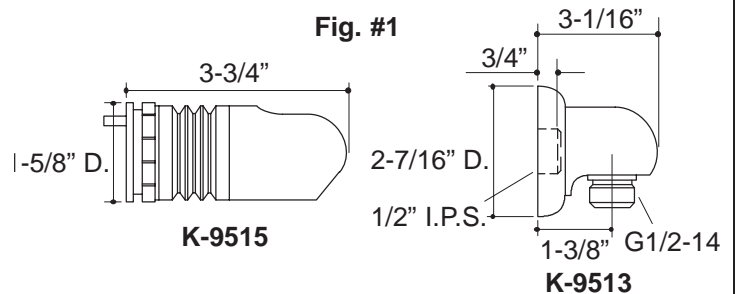
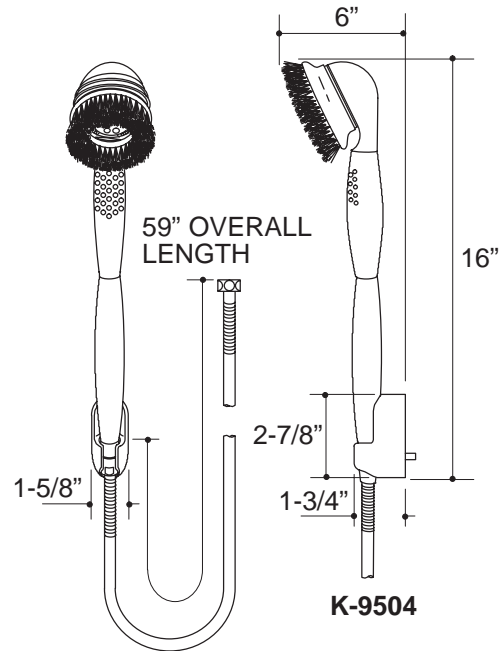
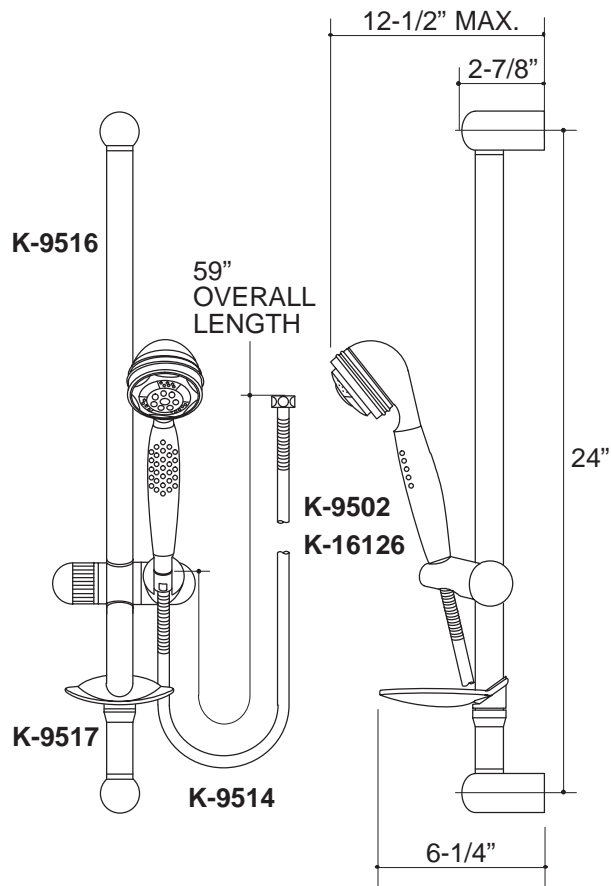


Fig. #1

FOR K-9513 WALL ELBOW

Rough-in 1/2" I.P.S. nipple to extend 9/16" from finished wall. Slide O-ring and escutcheon onto elbow. Hint: Use water to wet O-ring surface for easier assembly. Thread wall elbow onto nipple. Tighten using a clean strap wrench or a sturdy screwdriver inserted into the outlet.

NOTE: Adapter and escutcheon may be removed to provide clearance for a strap wrench.

Use a 3/8" hex wrench to remove adapter. Place a clear silicone caulk or adhesive behind escutcheon. Push escutcheon against wall.

For installations not using wall elbow, provide a 1/2" I.P.S. male outlet (either a plated nipple or shower arm) for K-9514 shower hose.

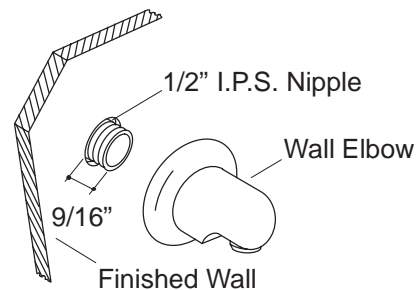


Fig. #2

FOR K-9515 ADJUSTABLE BRACKET

Drill a 3/16" hole through tile only for mounting directly to stud. If stud cannot be located, drill a 3/8" hole to fasten with wall anchor provided. Mark location of anti-rotation pin and drill a 1/4" dia. hole 9/16" center-to-center from anchor hole to pin hole.

NOTE: This accessory should not be installed in the critical support area as defined in ASTM F446 (24"-48" from floor).

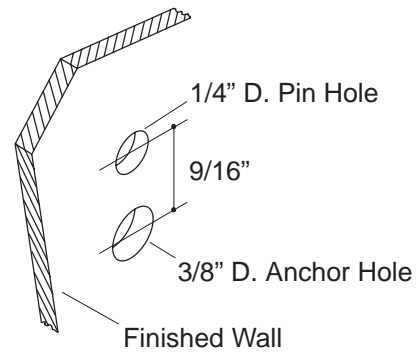


Fig. #3

FOR TOGGLE ANCHORS

For installing the toggle anchors: Press and hold the anchor legs together and insert into hole. If anchor is inserted into a stud, the anchor legs will stay together. If anchor is inserted into the space between studs; insert a nail into anchor hole to open legs behind wall. Carefully tap anchor until flush with finished surface.

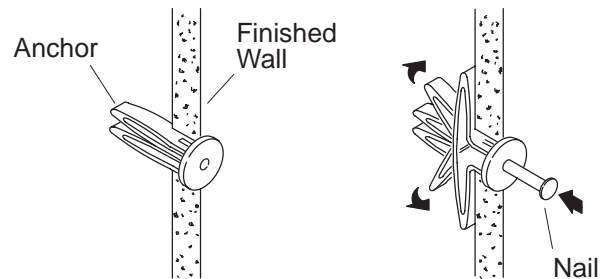


Fig. #4

Unthread bracket from assembly. Align bracket onto holes and tighten screw into wall anchor. Place friction washer into bracket and begin threading arm onto bracket. Hand-tighten.

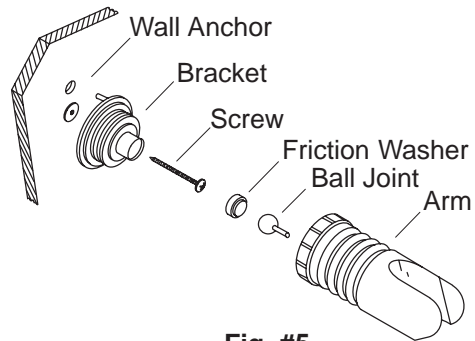


Fig. #5

FOR K-9517 SOAP DISH

Remove end bracket and grommet from desired end of K-9516 shower bar. Loosen adjustment nut on soap dish. Align keyway between collet and dish. Slide soap dish onto shower bar so soap dish will face up when installed. Recommended installation of soap dish is below hand shower holder.

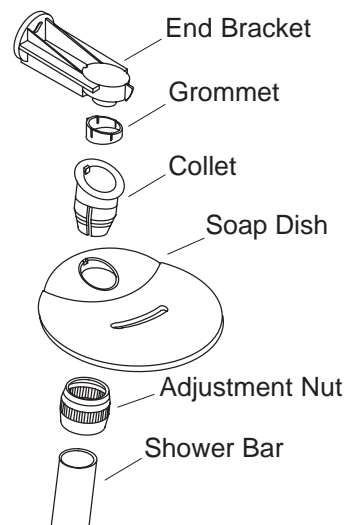
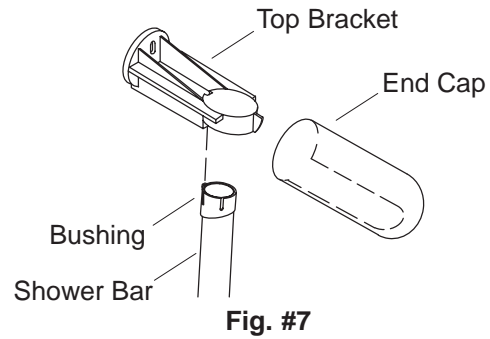


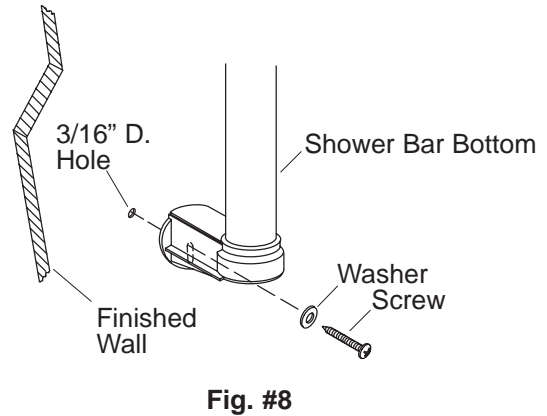
Fig. #6

FOR K-9516 SHOWER BAR

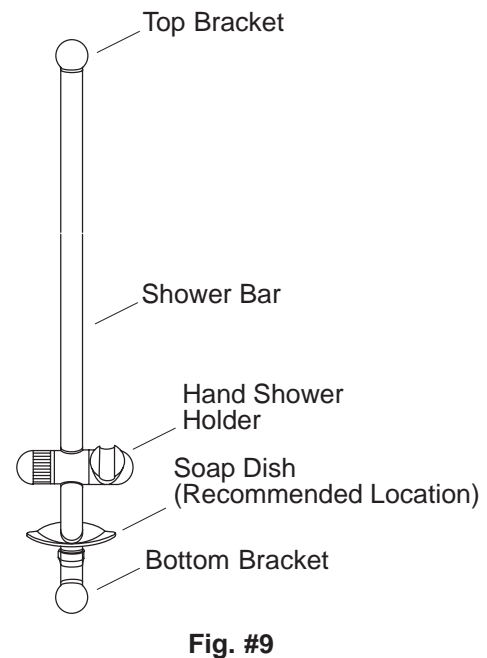
Remove loose end bracket to attach soap dish (see K-9517). Align bushing so alignment tab aligns with back of shower bar bracket slot. Firmly press bracket onto shower bar. Carefully tap bracket onto bar to ensure bar is fully inserted into bracket. This is essential to provide adequate pull strength of completed shower bar assembly.



Shower bar must be mounted to stud framing support at both top and bottom. Wall anchors will not provide sufficient support. Drill a 3/16" hole through tile only at desired location for bottom of shower bar. Place washer over supplied screw and begin threading screw through bottom shower bar bracket and into stud. Do not tighten screw yet. Slide shower bar down so screw contacts top of slot.



Align shower bar so bar will be vertical and mark location of hole for top bracket. Swivel shower bar out of the way and drill hole for top bracket in center of slot. Secure shower bar top bracket with washer and screw. Check alignment. Securely tighten both bracket screws.



Slide end caps over brackets and snap into place.

To adjust location of hand shower holder, rotate knob opposite hand shower receptacle.

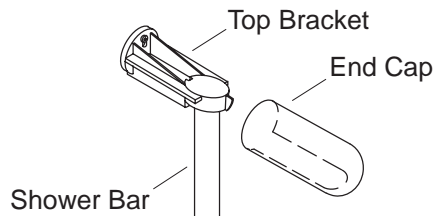


Fig. #10

FOR K-9504 BRUSH ATTACHMENT KIT

NOTE: Kit consists of fixed wall bracket, handle extension, and brush attachment.

For fixed wall bracket, bracket must be attached to stud framing. Drill a 3/16" hole through tile only at desired location and a 1/4" hole for anti-rotation pin at 1-1/4" from center-to-center. Secure wall bracket to wall with screw.

NOTE: This accessory should not be installed in the critical support area as defined in ASTM F446 (24"-48" from floor).

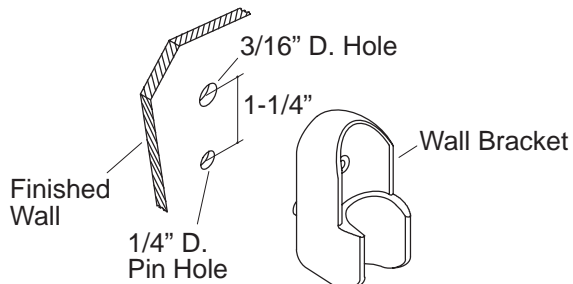


Fig. #11

Insert screen/washer into female end of handle extension (supplied in kit). Thread on hand shower (not supplied in kit). Insert gasket into shower hose. Hand tighten hose to handle extension.

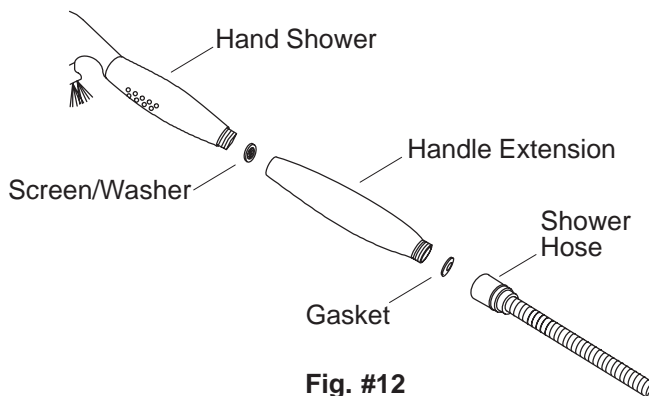


Fig. #12

Slide brush attachment over end of hand shower until firmly seated.



Fig. #13

FOR K-9514 SHOWER HOSE

Place gasket into the wrench-flats end of the hose. Firmly thread hose to 1/2" I.P.S. shower outlet. Place screen/washer in other end of hose before threading to hand shower or handle extension. If there are two gaskets, only one will be used in applications without a handle extension.



Fig. #14

FOR K-9502, K-9503, OR K-16126 HAND SHOWER

Flush lines with hand showers removed. Insert rubber washer with screen into hand shower. Firmly thread hand shower or handle extension to shower hose.

Check hand shower head for smooth operation.

For three-way hand shower, grasp the outer ring of the showerhead and gently rotate clockwise or counterclockwise. There are two small detents within the outer ring to provide the three operating positions.

For one-way adjustable hand shower, grasp the outer ring of the showerhead and rotate to change the spray pattern.

NOTE: If winterizing hand shower, blow water out of showerhead with air.

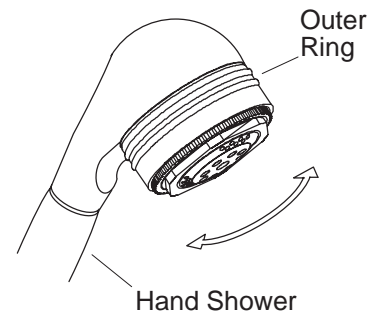


Fig. #15

SERVICE PROCEDURES

If cause of problem is unknown, see troubleshooting chart first. Then refer to procedure by component assembly subheading.

Use an open-end or adjustable wrench to remove hand shower from hose. Blow water out of hand shower head with air.

For any flow/performance problem, the first item to check is the inlet screen and flow control located in the end of the handle.

INLET SCREEN/WASHER AND FLOW CONTROL

At inlet end of hand shower, use thin-bladed screwdriver to gently pry up edge of the inlet screen/washer.

Remove and clean screen/washer. While screen/washer is removed, visually inspect the three orifice holes in the flow control. If holes in flow control require cleaning, use a toothpick or similar thin, pointed tool to clean the three holes.

NOTE: The flow control is press fit into place and cannot be removed.

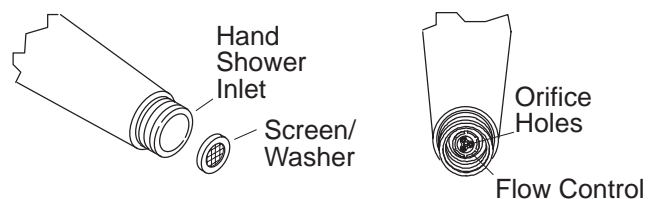


Fig. #16

AERATOR HOUSING (THREE-WAY MODELS ONLY)

Using the special tool provided, insert prongs into aerator housing holes on face of showerhead. Turn tool counterclockwise to remove aerator housing.

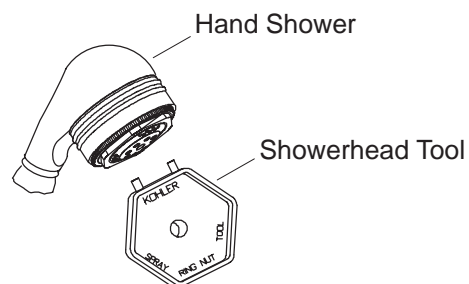


Fig. #17

Remove rubber gasket and aerator plate. Turn housing over, letting aerator fall out. Clean both sides of aerator.

Replace aerator into aerator housing, aligning notch in aerator with keyway in aerator housing.

Replace aerator plate with small diameter ring facing up. Replace gasket. Unless proceeding to front housing assembly service, replace assembly into showerhead. Do not overtighten.

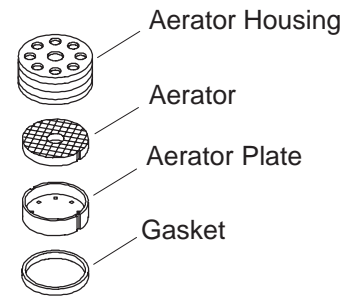


Fig. #18

FRONT HOUSING ASSEMBLY

Align large hex end of showerhead tool with flats of hex nut on showerhead assembly. Turn tool counterclockwise to remove hex nut from showerhead.

Using thin-bladed screwdriver, remove plastic thrust washer from front housing assembly.

Using thin-bladed screwdriver, remove diffuser from front housing assembly.

Clean diffuser by flexing to break loose mineral deposits. Place diffuser, with small end of groove facing out, into front housing assembly. Reinstall thrust washer and hex nut. Reinstall aerator assembly. Reinstall hand shower on shower hose.

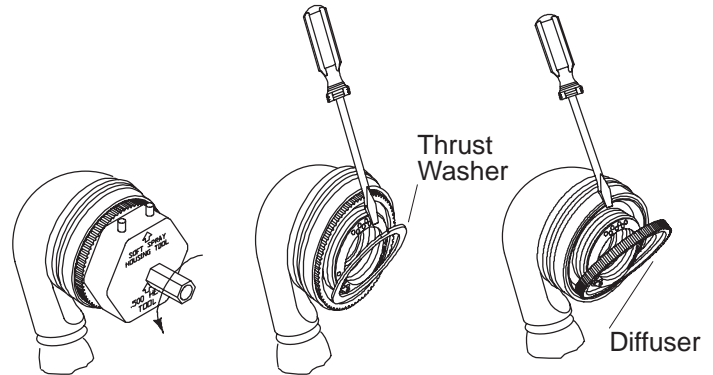


Fig. #19

Test showerhead for proper and smooth operation.

TROUBLESHOOTING CHART

SYMPTOM	PROBABLE CAUSE	CORRECTIVE ACTION
Low flow or poor performance.	Clogged inlet screen.	Inspect and clean or replace screen in handle assembly.
	Clogged flow control.	Inspect and clean orifice holes in flow control.
Poor spray pattern on regular spray.	Clogged spray ring.	Disassemble spray ring/thrust washer from front housing assembly; inspect and clean spray ring/thrust washer.
Soft spray not aerating (three-way models only).	Clogged screens in aerator.	Disassemble screens from aerator housing and clean or replace screens.
Pulsating spray not pulsing (three-way models only).	Worn parts or debris in assembly.	Replace front housing assembly. (Service technicians: consult service manual.)
Leaks between hose and handspray or out top of handle of handspray.	Poor seal between hose and handspray.	Check to assure screen washer is in place.

