

### COMFORT HEIGHT® TOILET K-3754

ADA

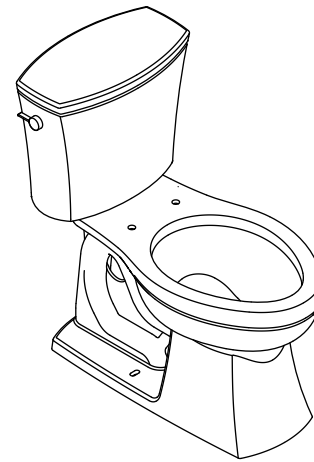
#### Features

- Vitreous china
- Elongated bowl
- AquaPiston® flushing system
- Less seat and supply
- 12" (305 mm) rough-in
- 1.6 gpf (6.0 lpf)
- 2-1/8" (54 mm) glazed trapway
- Includes left-hand polished chrome trip lever
- 11" (279 mm) x 8-3/4" (222 mm) water area
- 30" (762 mm) x 16-3/4" (425 mm) x 30-1/2" (775 mm)

#### Codes/Standards Applicable

Specified model meets or exceeds the following:

- ADA
- ICC/ANSI A117.1
- ASME A112.19.2/CSA B45.1
- Energy Policy Act of 1992



#### Colors/Finishes

- 0: White
- Other: Refer to Price Book for additional colors/finishes

#### Accessories

- 0: White
- CP: Polished Chrome
- PB: Vibrant® Polished Brass
- Other: Refer to Price Book for additional colors/finishes

#### Specified Model

| Model                          | Description  | Trip Lever                  | Colors/Finishes             |                                     |
|--------------------------------|--|-----------------------------|-----------------------------|-------------------------------------|
| K-3754                         | Comfort Height toilet                              | left-hand                   | <input type="checkbox"/> 0  | <input type="checkbox"/> Other_____ |
| <b>Recommended Accessories</b> |  |                             |                             |                                     |
| K-7637                         | Angle supply with stop – 3/8" NPT                  | <input type="checkbox"/> CP | <input type="checkbox"/> PB | <input type="checkbox"/> Other_____ |
| <b>Optional Accessories</b>    |  |                             |                             |                                     |
| K-4650                         | Lustra™ elongated toilet seat - for ADA compliance | <input type="checkbox"/> 0  |                             | <input type="checkbox"/> Other_____ |
| K-9385                         | Left-hand trip lever (non-CP finish)               |                             | <input type="checkbox"/> PB | <input type="checkbox"/> Other_____ |

#### Product Specification

The elongated bowl toilet shall be made of vitreous china. Toilet shall be 30" (762 mm) in length, 16-3/4" (425 mm) in width, and 30-1/2" (775 mm) in height with an 11" (279 mm) by 8-3/4" (222 mm) water area. Toilet shall be 1.6 gpf (6.0 lpf) with AquaPiston flushing system. Toilet shall have 2-1/8" (54 mm) glazed trapway. Toilet shall be 12" (305 mm) rough-in. Toilet shall include left-hand polished chrome trip lever. Toilet shall be less seat and supply. Toilet shall be Kohler Model K-3754-\_\_\_\_\_.

## Technical Information

|                        |                                |
|------------------------|--------------------------------|
| Fixture:               |                                |
| Configuration          | two-piece, elongated           |
| Water per flush        | 1.6 gpf (6.0 lpf)              |
| Passageway             | 2-1/8" (54 mm)                 |
| Water area             | 11" (279 mm) x 8-3/4" (222 mm) |
| Water depth from rim   | 6" (152 mm)                    |
| Seat post hole centers | 5-1/2" (140 mm)                |

|                         |         |
|-------------------------|---------|
| Included components:    |         |
| Bowl                    | K-4306  |
| Tank                    | K-4474  |
| Tank cover              | 1070414 |
| Trip lever, left-hand   | 1075348 |
| Tank attachment kit     | 1016548 |
| Bolt cap accessory pack | 1013092 |

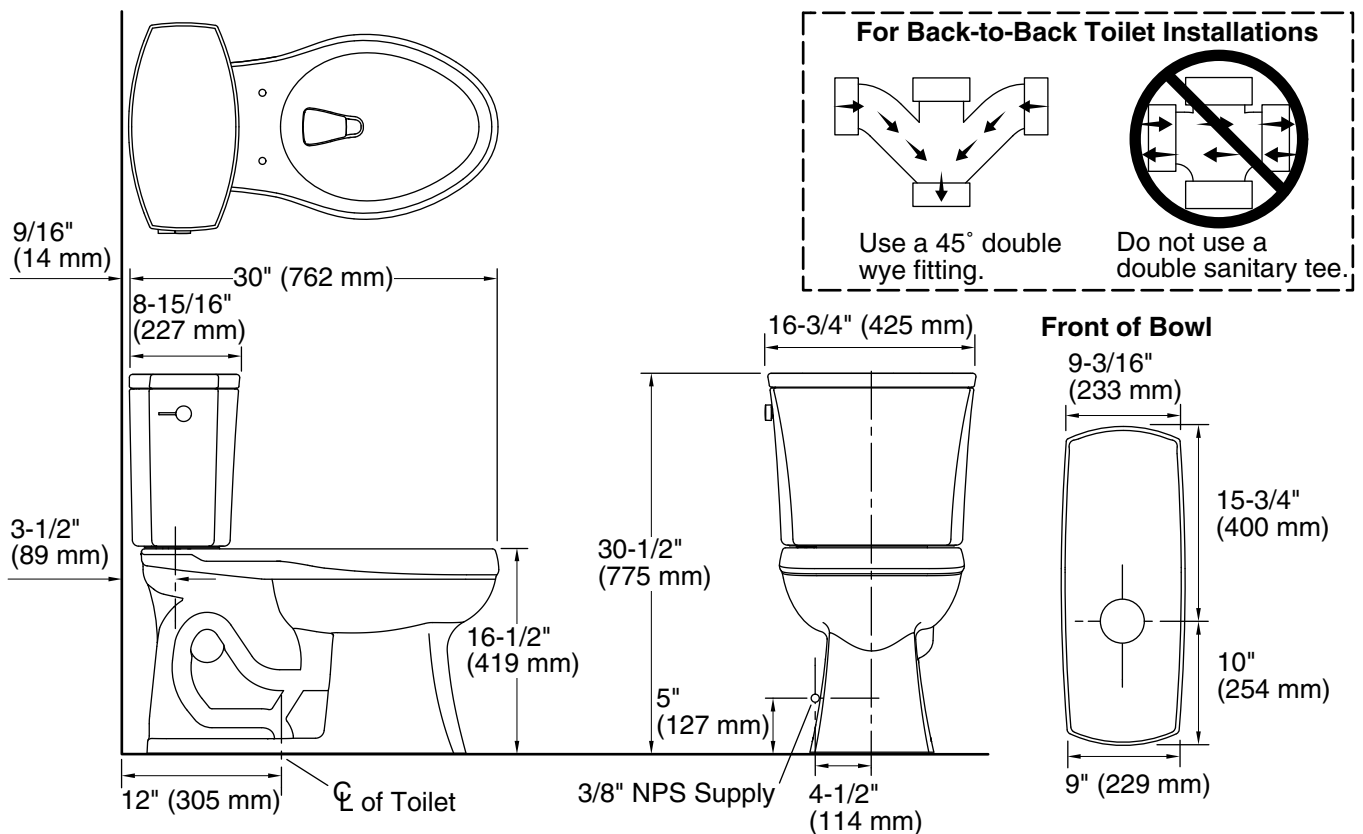
## Installation Notes

Install this product according to the installation guide.

**For back-to-back toilet installations:** Use only a 45° double wye fitting.

Will comply with the Americans with Disabilities Act (**ADA**) when installed per the requirements of the 2010 ADA Standards of Accessible Design, Section 604 Water Closets, of the Act. The Model Plumbing Codes require the installation of elongated open-front toilet seats in public bathrooms.

The model is acceptable for left-hand Accessible compartment installations only.



## Product Diagram