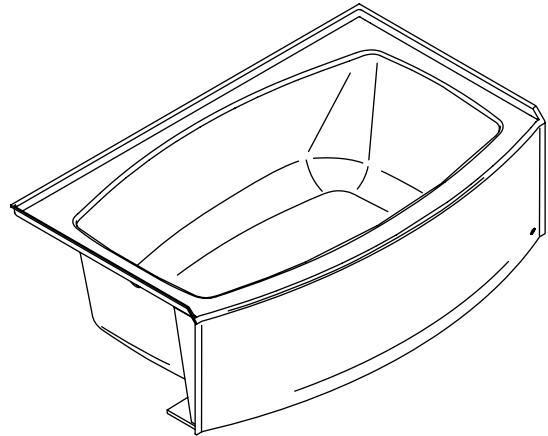


### Features

- Acrylic
- Integral tile flange
- 60 gallon (227.1 L) capacity
- Curved integral apron
- Textured bottom surface
- Install footprint: 38" (96.5 cm) width at center of apron
- 60" (152.4 cm) x 32" (81.3 cm) x 17" (43.2 cm)

### CURVED APRON BATH K-1100-LA ALSO K-1100-RA



### Codes/Standards Applicable

Specified model meets or exceeds the following:

- ANSI Z124.1.2
- ASTM E162
- ASTM E662
- CSA B45.5

### Colors/Finishes

- 0: White
- Other: Refer to Price Book for additional colors/finishes

### Accessories

- CP: Polished Chrome
- Other: Refer to Price Book for additional colors/finishes

### Specified Model

Model	Description	Colors/Finishes	
K-1100-LA	Curved apron bath – left drain	<input type="checkbox"/> 0	<input type="checkbox"/> Other _____
K-1100-RA	Curved apron bath – right drain	<input type="checkbox"/> 0	<input type="checkbox"/> Other _____

Recommended Accessories			
K-7161	Clearflo 1-1/2" adjustable pop-up bath drain	<input type="checkbox"/> CP	<input type="checkbox"/> Other _____
K-7213	Clearflo cable bath drain with PVC tubing	<input type="checkbox"/> CP	<input type="checkbox"/> Other _____
K-7214	Clearflo cable bath drain without PVC tubing	<input type="checkbox"/> CP	<input type="checkbox"/> Other _____

### Product Specification

The curved apron bath shall be made of acrylic. Bath shall be 60" (152.4 cm) in length, 32" (81.3 cm) in width, and 17" (43.2 cm) in height. Bath shall have install footprint of 38" (96.5 cm) width at center of apron. Bath shall feature a curved integral apron, integral tile flange, and textured bottom surface. Bath shall have a capacity of 60 gallons (227.1 L). Bath shall be Kohler Model K-1100-\_\_\_\_-\_\_\_\_.

# EXPANSE™

## Technical Information

Fixture*:	
Bathing well:	
Basin area, top	54" (137.2 cm) x 31" (78.7 cm)
Basin area, bottom	45-11/16" (116 cm) x 27-5/8" (70.2 cm)
Weight	78 lbs (35.4 kg)
To overflow:	
Water depth	12-5/8" (32.1 cm)
Capacity	60 gal (227.1 L)
* Approximate measurements for comparison only.	

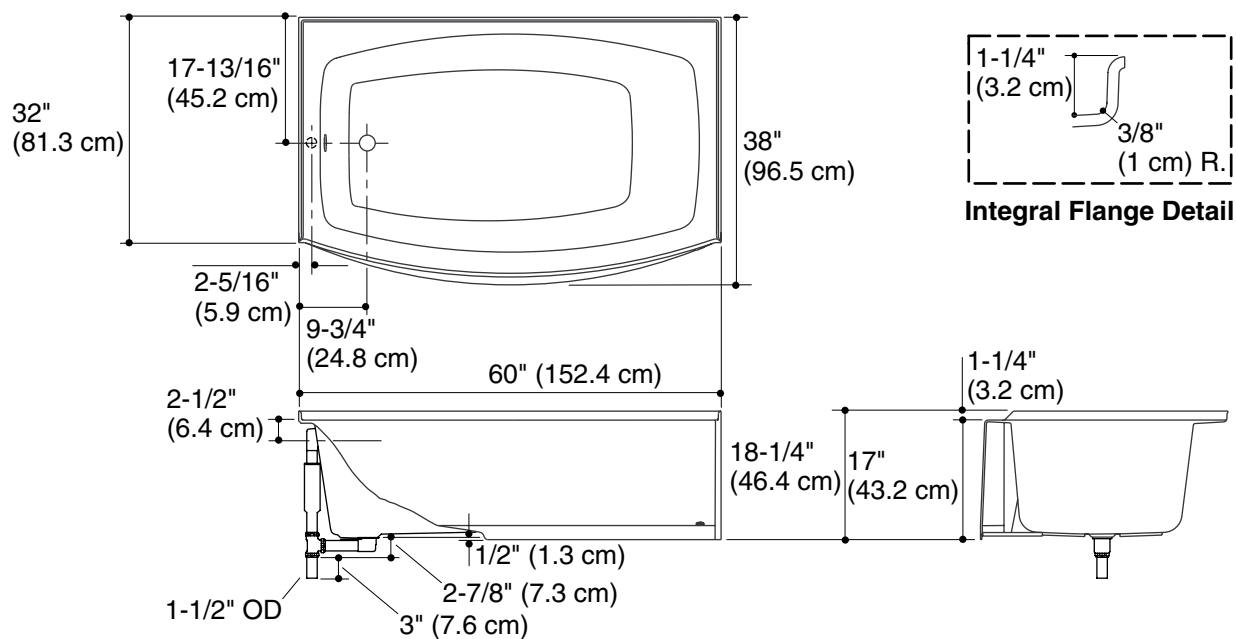
## Installation Notes

Install this product according to the installation guide.

Floor support under bath must provide for minimum of 38 lbs/square foot (186 kg/square meter) loading.

The hot water supply should be 70% of the capacity of the bath or greater. Installations will vary.

No change in measurements if connected with drain illustrated. (K-7213)



## Product Diagram