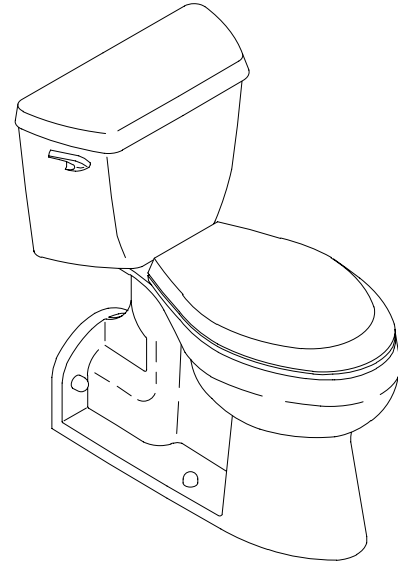


K-3530-C, K-4519-C K-4519-CR

FEATURES

- 4" rough-in
- Vitreous china
- Elongated bowl
- Rear outlet
- Water-Guard® system
- Combination toilet
- Includes polished chrome trip lever
- Less seat and supply
- 18" high bowl is ADA compliant
- 3.5 gpf
- With Insuliner® insulated tank lining (-CU)
- With right-hand trip lever (-CR)
- With tank cover locks (-CT)

ADA



CODES AND STANDARDS

- Conforms to ASME/ANSI A112.19.2M
- Conforms to ASME/ANSI A112.19.6M
- Conforms to The Energy Policy Act of 1992 (EPACT)
- IAPMO/UPC Listed
- Canadian Standards Association (CSA) Certified
- Conforms to ADA
- Conforms to CABO/ANSI A117.1

SPECIFIED MODEL

- K-3530-C, left-hand trip lever.
- K-4519-C, tank only.
- K-4519-CR, tank only with right-hand trip lever.

COLORS

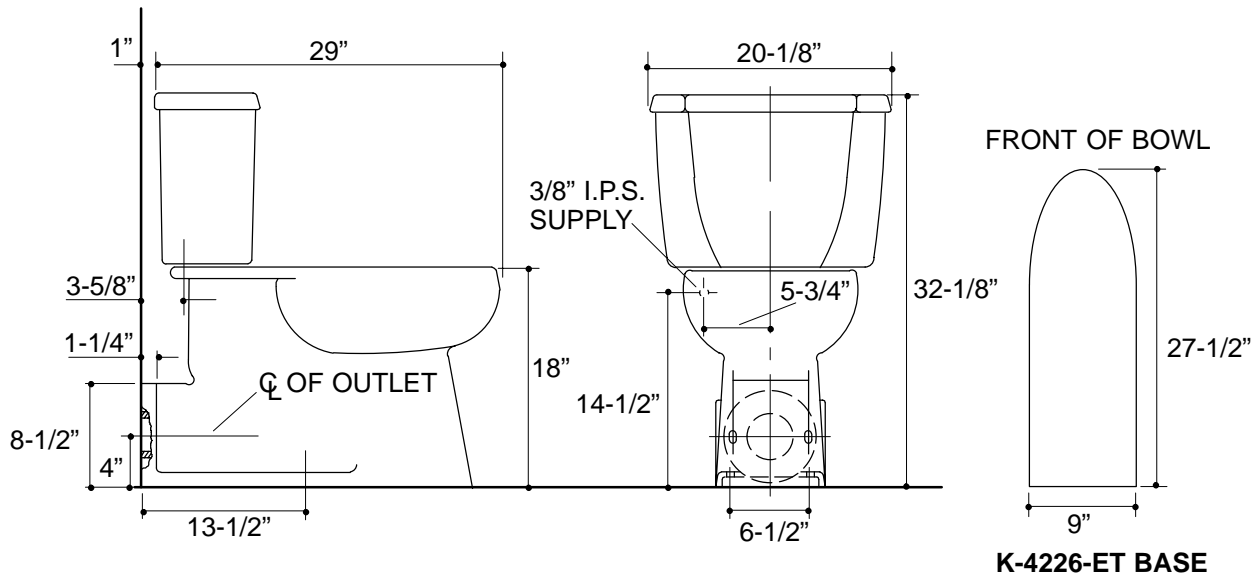
- 0 WHITE
- OTHER _____

PRODUCT SPECIFICATION:

The elongated toilet combination shall be 4" rough-in with Kohler Water-Guard® system. Toilet shall be made of vitreous china. Toilet shall be 3.5 gpf. Toilet shall include polished chrome trip lever. Toilet shall be less seat and supply. Toilet shall be ADA compliant when bowl is 18" from floor. Toilet shall have Insuliner® insulated tank lining (-CU). Toilet shall have right hand trip lever (-CR). Toilet shall have tank cover locks (-CT).

We reserve the right to make revisions without notice in the design of fixtures or in packaging unless this right has specifically been waived at the time the order is accepted.

PRODUCT DIAGRAM



Ordering Information

Applicable product with left-hand trip lever:		
Toilet	K-3530-C	shown
Tank	K-4519-C	not shown
Toilet with cover lock tank	K-3530-CT	not shown
Toilet with insuliner tank	K-3530-CU	not shown
Applicable product with right-hand trip lever:		
Tank	K-4519-CR	not shown
Tank with cover locks	K-4519-TR	not shown
Tank with insuliner	K-4519-UR	not shown
Accessories/hardware:		
Floor bolts (pr.)	21401	recommended
3/8" supply	K-7367	recommended
Seat	K-4652	recommended

Product Information

ADA compliant.	
Fixture:	
Configuration	2-piece, elongated
Gallons per flush	3.5 gallons
Passageway	2-1/4"
Water depth from rim	6"
Seat post hole centers	5-1/2"
Included Components:	
Bowl	K-4226-C
Tank cover	80471
Bolt caps	52048