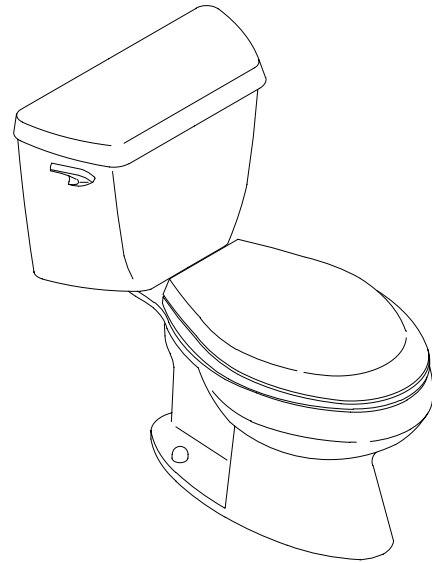


# K-3520-C, K-3520-CR

## FEATURES

- 12" rough-in
- Vitreous china
- Elongated bowl
- Water-Guard® system
- Combination toilet
- 3.5 gpf
- Includes polished chrome trip lever
- Less seat and supply
- With Insuliner® insulated tank lining (-CU)
- With bedpan lugs (-CL)
- With right-hand trip lever (-CR)
- With tank cover locks (-CT)



## CODES AND STANDARDS

- Conforms to ASME/ANSI A112.19.2M
- Conforms to ASME/ANSI A112.19.6M
- Conforms to The Energy Policy Act of 1992 (EPACT)
- IAPMO/UPC Listed
- Canadian Standards Association (CSA) Certified

## SPECIFIED MODEL

- K-3520-C, elongated bowl.
- K-3520-CR, elongated bowl with right hand trip lever.

## COLORS

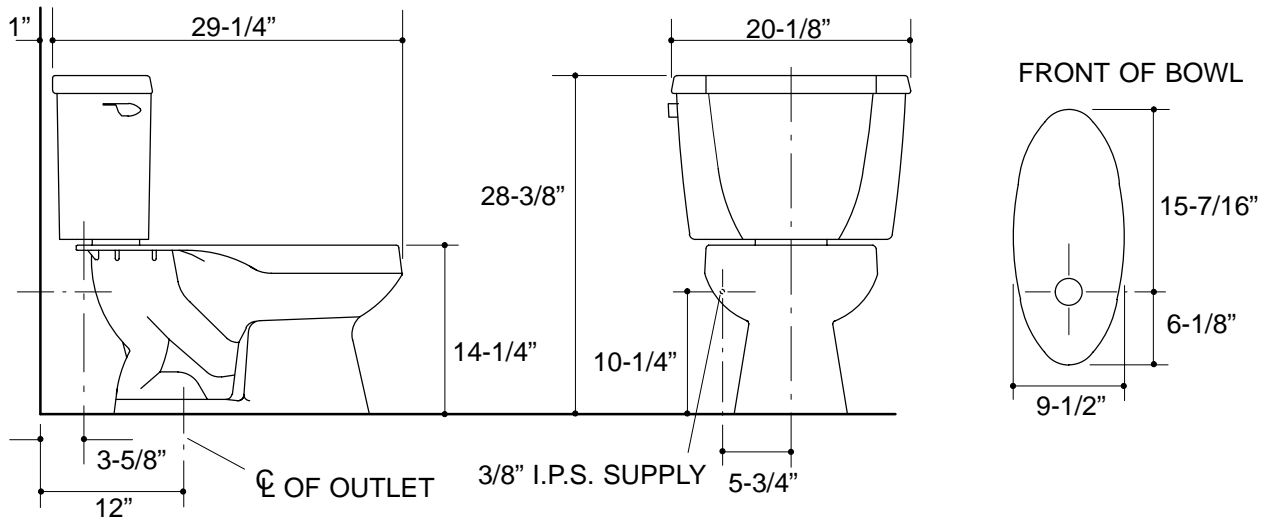
- 0 WHITE
- OTHER \_\_\_\_\_

### PRODUCT SPECIFICATION:

The elongated toilet combination shall be 12" rough-in with Kohler Water-Guard® system. Toilet shall be made of vitreous china. Toilet shall be 3.5 gpf. Toilet shall include left or right polished chrome trip lever. Toilet shall be less seat and supply. Toilet shall have bedpan lugs (-CL). Toilet shall have Insuliner® insulated tank lining (-CU). Toilet shall have right hand trip lever (-CR). Toilet shall have tank cover locks (-CT).

*We reserve the right to make revisions without notice in the design of fixtures or in packaging unless this right has specifically been waived at the time the order is accepted.*

## PRODUCT DIAGRAM



### Ordering Information

|  |           |             |
|--|-----------|-------------|
| Applicable product with left-hand trip lever:  |           |             |
| Toilet   | K-3520-C  | shown       |
| Tank   | K-4519-C  | shown       |
| Toilet with tank cover locks                   | K-3520-CT | not shown   |
| Toilet with insuliner                          | K-3520-CU | not shown   |
| Toilet with bedpan lugs                        | K-3520-CL | not shown   |
| Applicable product with right-hand trip lever: |           |             |
| Toilet   | K-3520-CR | not shown   |
| Tank   | K-4519-CR | not shown   |
| Toilet with tank cover locks                   | K-3520-TR | not shown   |
| Toilet with insuliner                          | K-3520-UR | not shown   |
| Toilet with bedpan lugs                        | K-3520-LR | not shown   |
| Accessories/hardware:                          |           |             |
| 3/8" supply                                    | K-7637    | recommended |
| Floor bolts (pr.)                              | 21401     | recommended |
| Seat   | K-4652    | recommended |

### Product Information

|                         |                    |
|-------------------------|--------------------|
| Fixture:                |                    |
| Configuration           | 2-piece, elongated |
| Gallons per flush       | 3.5 gallon         |
| Passageway              | 2-1/4"             |
| Water depth from rim    | 4-7/8"             |
| Seat post hole centers  | 5-1/2"             |
| Included Components:    |                    |
| Bowl                    | K-4221-C           |
| Tank cover              | 80471              |
| Bolt cap accessory pack | 52048              |
| Trip lever, left hand   | K-9404-L           |
| Trip lever, right hand  | K-9404-R           |