

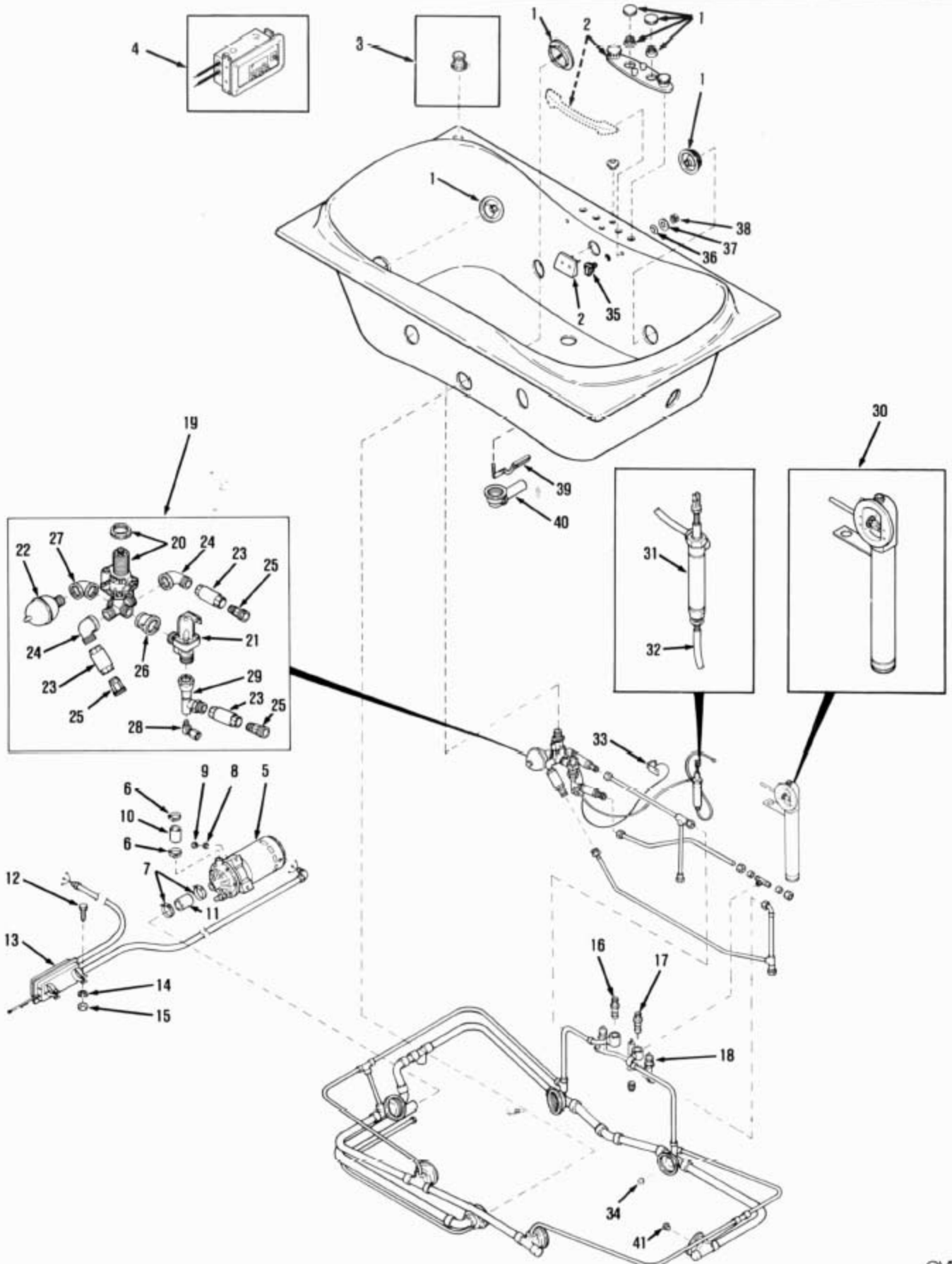
KOHLER SERVICE PARTS

Infinity ∞ Bath™ WHIRLPOOL

K-1472-SA

K-1474-SA

Autofill™ Model K-1476-SA



OVER

Infinity ∞ Bath™ WHIRLPOOL (Con't)

K-1472-SA

K-1474-SA

Autofill™ Model K-1476-SA

Service Parts

Item No.	Part No.	Qty.	Description	Specifications
1	K-9692	1	6 Jet Whirlpool Trim Kit	
2	K-9586	1	Infinity Trim Kit (w/o Grip Rails)	Bravura (Shown)
2	K-9594	1	Infinity Trim Kit (w/Grip Rails)	Bravura (Shown)
2	K-9597	1	Infinity Trim Kit (w/Grip Rails)	Flair II (Not Shown)
2	K-9588	1	Infinity Trim Kit (w/o Grip Rails)	Flair II (Not Shown)
3	K-9590	1	Autofill Mixer Trim Kit	Bravura (Shown)
3	K-9591	1	Autofill Mixer Trim Kit	Flair II (Not Shown)
4	62400	1	Autofill Control	
5	60662-M	1	Motor and Pump for K-1472, K-1476	
5	60663-M	1	Motor and Pump for K-1474	
6	60216	2	Clamp	1" Hose Clamp
7	60226	2	Clamp	1 1/2" Hose Clamp
8		2	Washer	3/8" Split
9		2	Nut	3/8"-16 Hex Nut
10	60223	1	Hose	1 1/4" O.D. Hose
11	60225	1	Hose	1 1/8" O.D. Hose
12		2	Bolt	#10-32 x 1 1/4" Round Head
13	60760	1	Power Panel	
14		2	Washer	#10 Split
15		2	Nut	#10-32 Hex Nut
16	60722	1	Aspirator Assembly	
17	60721	1	Actuator/Aspirator Assembly	
18	31001	1	Supply Valve Assembly	
19	62462	1	Master Mixer Assembly for Autofill	
20	62440	1	Mixer	
21	62441	1	Solenoid	
22	63908	1	Water Hammer Arrestor	
23	62465	3	Check Valve	
24	62456	2	Elbow	1/2" Street
25	62485	3	Union	1/2"
26	62459	1	Reducer	1/2" x 3/4"
27	62478	1	Elbow	90° x 1/2"
28	62437	2	Compression Connector	90° x 1/4" x 1/8" NPT Male
29	62515	1	Output Tee Assembly	
30	62517	1	Drain Closer Assy. (With Overflow Elbow)	
31	62516	1	Cylinder Assembly	
32		1	Plastic Tube	1/8" I.D. PVC
33	62427	1	Level Sensor	
34	60048	4	Orifice	
35	35279	1	Fill Spout	
36	35277	1	Gasket	
37	35278	1	Washer	
38	32010	1	Nut	
39	29599	1	Lift Toggle	
40	43089	1	Drain Ell	
41	60633	2	Orifice	

Service Kits

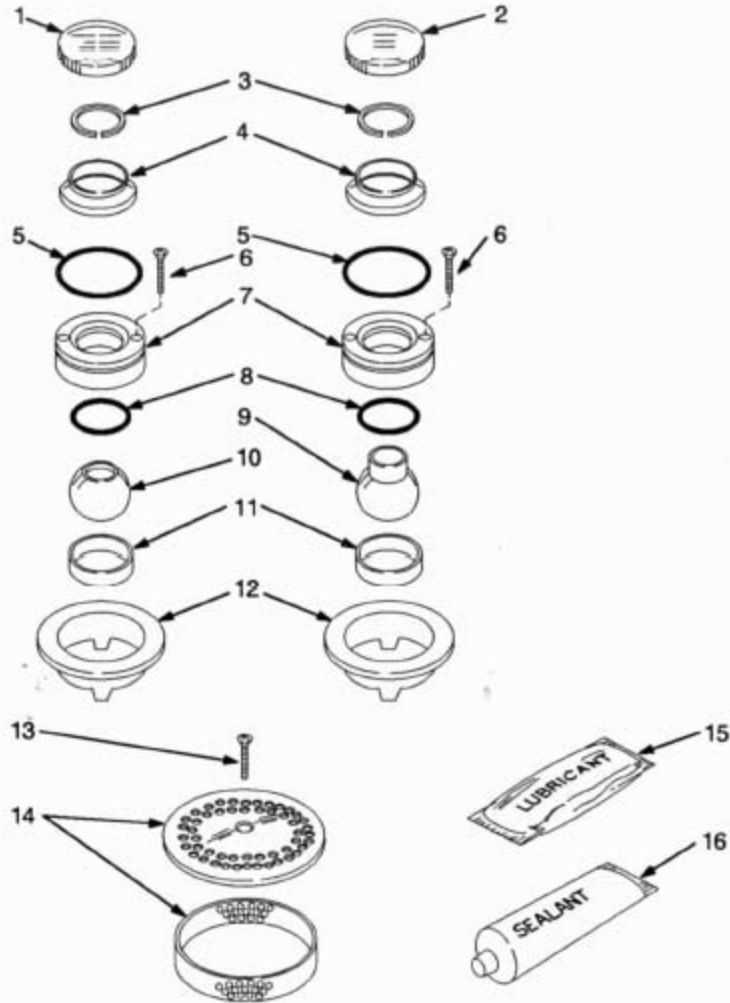
Items:

NOTES

- Parts Further Exploded Within This Catalog. Reference Index.
- † Specify Finish
- Replaces K-9594, K-9597 After April 1986.
- Replaced by K-9586, K-9588 After April 1986.
- Also Reference Page 5-19.
- Infinity Drain Assy Kit, #29643 and Drain Ell, #43090, Are Installed On All Units Prior to January 1, 1985.

KOHLER® SERVICE PARTS

INFINITY[∞]BATH™ WHIRLPOOL TRIM KIT
K-9692



Service Parts

Item No.	Part No.	Qty.	Description	Specifications
1	67084††	1	Dual Control Aircap (Includes Item 3)	
2	67082††	1	Aircap (Includes Item 3)	
3	60685†	2	Spring Ring	
4	60686††	2	Tapered Trim Cap	
5	60433†	6	O-Ring	
6	60051††	12	Screw	
7	60357††	6	Retainer	
8	60049†	6	O-Ring	
9	60045††	4	Directional Ball	
10	60727††	2	Back Jet Ball	
11	60046†	6	Insert Bearing	
12	60728††	6	Trim Ring	
13	60380††	1	Screw	
14	65061†	1	Suction Cover	
15	60394	1	Silicone Lubricant	
16	60490	1	Sealant	

Service Kits

- † 1-4, #K-9684 †, Trim Kit
- † 5, 7-9, 11, 12, #60172 †, Jet Trim Assy
- † 5, 7, 8, 10-12, #60741 †, Back Jet Trim Assy
- † 6, 13, #60410 †, Screw Packet

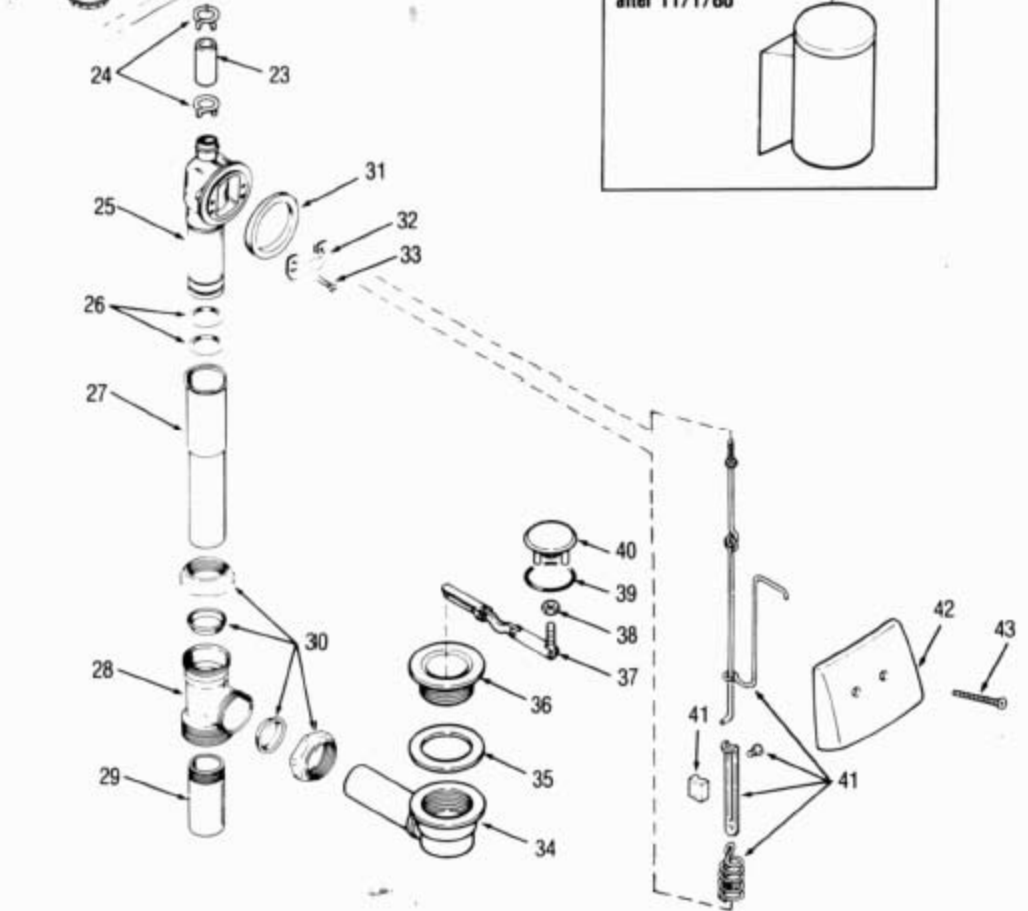
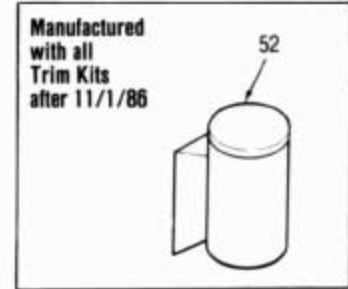
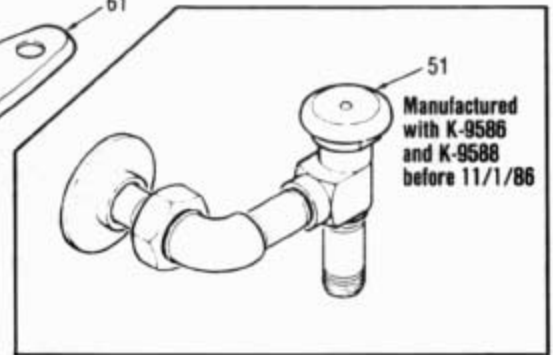
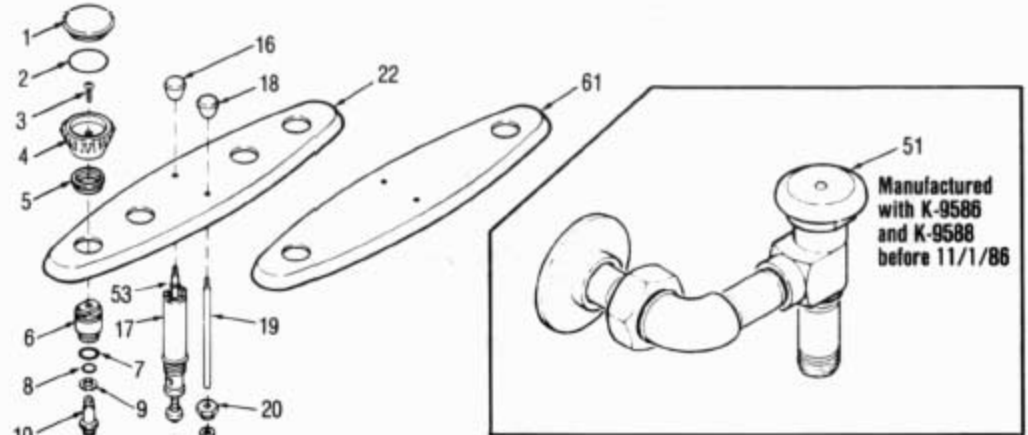
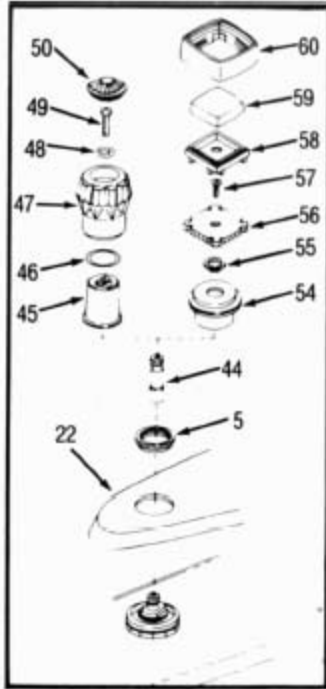
NOTES:

- † Specify Finish.

KOHLER[®]

SERVICE PARTS

Infinity ∞ Bath™ / WHIRLPOOL TRIM KITS
 K-9586, K-9587 BRAVURA
 K-9588, K-9589 FLAIR II, K-9599, K-9601 ALTERNA



Infinity  Bath™ / WHIRLPOOL TRIM KITS (Con't)
 K-9586, K-9587 BRAVURA
 K-9588, K-9589 FLAIR II, K-9599, K-9601 ALTERNA

Service Parts

Item No.	Part No.	Qty.	Description	Specifications	
1	48695	†	2	Cap	
2	48694	†	2	O-Ring	
3	33357	†	2	Screw	
4	31435	†	2	Handle	
5	31438	†	2	Lock Ring	
6	31462	†	2	Bonnet	
7		†	2	O-Ring	
8		†	2	O-Ring	
9		†	2	Washer	
10		†	2	Stem	
11		†	2	Plunger (Includes Items 12 and 13)	
12		†	2	Seat Washer	
13		†	2	Screw	
14		†	2	Sleeve	
15		†	2	Renewable Seat	
16	48700	†	1	Lift Knob	
17	31439	†	1	Diverter	
18	48700	†	1	Lift Knob	
19	31437	†	1	Lift Rod	
20	31456	†	1	Retainer Cap	
21	31454	†	1	Retainer	
22	31442	†	1	Escutcheon (K-9586, K-9588, K-9601)	
23	31453	†	1	Tube (Includes Item 24)	
24		†	2	Clamps	
25	62424	†	1	El & Tube Assembly	
26	21496	†	1	O-Ring (Includes Lube Not Shown)	
27	21162	†	1	Overflow Tube	
28	29063	†	1	Tee	
29	28522	†	1	Tailpiece	
30	36515	†	1	Nut & Gasket Assembly (Includes 3 Ea.)	
31		†	1	Gasket	
32		†	1	Clamp	
33		†	2	Screw	
34	43087	†	1	Drain El & Tube	
35	29061	†	1	Gasket	
36	29060	†	1	Strainer	
37	29599	†	1	Lift Toggle Assembly	
38	29606	†	1	Nut	
39	38618	†	1	O-Ring	
40	29676	†	1	Stopper (Includes Item 39)	
41	62420	†	1	Lift Rod Assembly	
42	31441	†	1	Hood	
43	22154	†	2	Screw	
44	43273	†	1	Stem Extension (Includes Item 49)	
45		†	2	Handle Insert	
46		†	2	O-Ring	
47	43268	†	2	Handle Assembly (Includes 2 Ea. of Items 45-50)	
48		†	2	Washer	
49		†	2	Screw	
50	30338	†	2	Index Cap (Includes One Hot and One Cold)	
51	K-13055	†	1	Vacuum Breaker	
52	K-13056	†	1	Vacuum Breaker	
53	42265	†	1	C-Clip	
54	22457	†	2	Handle Skirt	
55	46034	†	2	Retaining Ring	
56	22490	†	2	Handle Adapter	
57	63894	†	2	Screw (#8-32 x 1½)	
58	22454	†	2	Insert Retaining Cup	
59		†	2	Insert	
60	22491	†	2	Shell (Large)	
61	31443	†	1	Escutcheon (K-9587, K-9589, K-9599)	

Service Kits

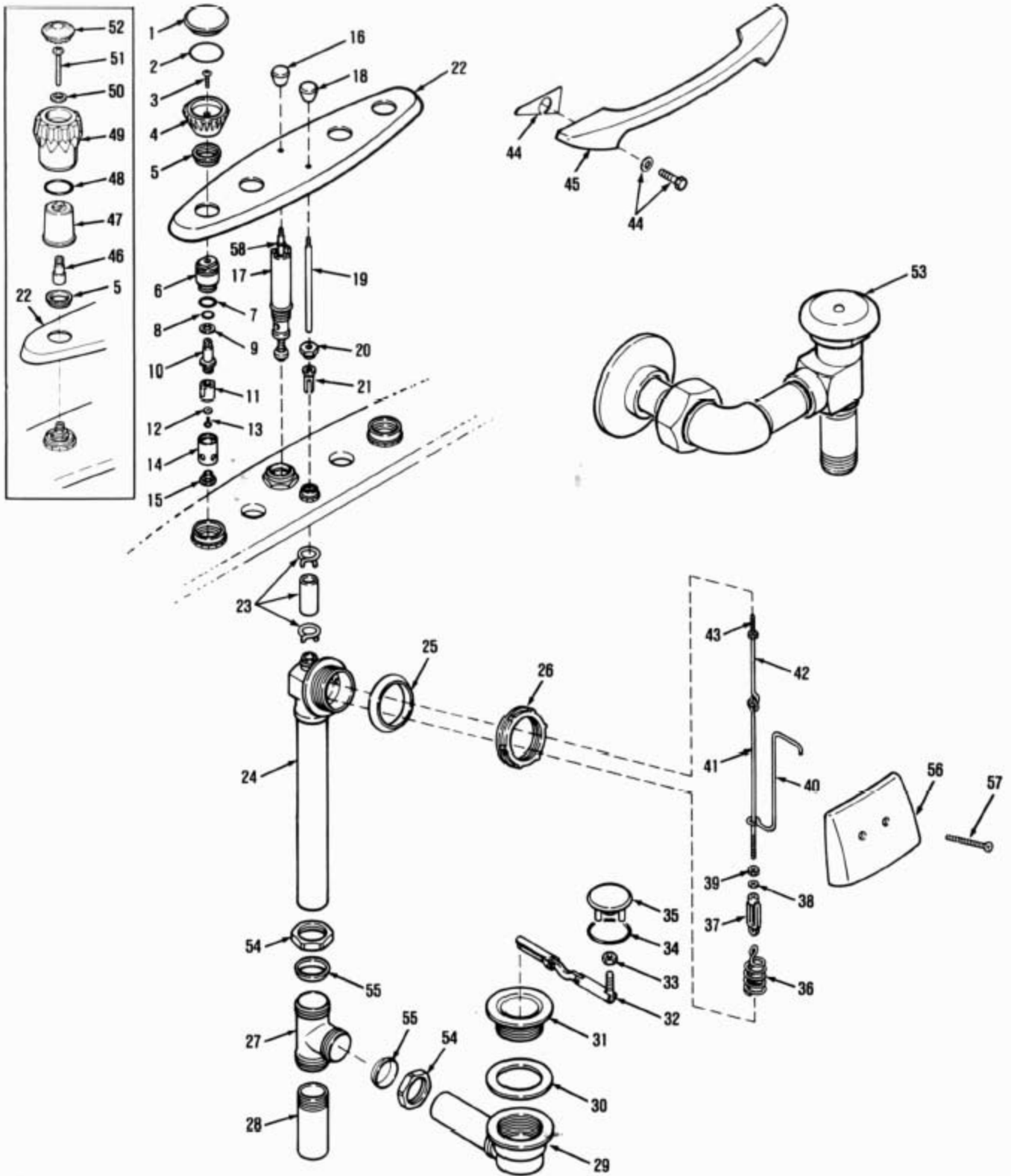
- Items:
 † 7-15, #30002, Valve Unit Kit.
 † 31-33, #21150, Nut & Gasket Kit.
 † 37-40, #29599, Stopper Assembly Kit.
 † 46, 48, 49, #30047, Handle Rebuilding Kit (Rebuilds 2 Handles).

NOTES:

- † Specify Finish.
 • Items 6 thru 15, 20, 21, Not Included in Trim Kits.
 • Refer to Index, SP38 Plumbing Products Service Parts Catalog.

KOHLER SERVICE PARTS

Infinity ∞ Bath™ WHIRLPOOL TRIM KITS
K-95948
K-95978



Infinity ∞ Bath™ WHIRLPOOL TRIM KITS (Con't)

K-9594§

K-9597§

Service Parts

Item No.	Part No.	Qty.	Description	Specifications
1	48695	2	Cap	
2	48694	2	O-Ring	
3	33357	2	Screw	
4	31435	2	Handle	
5	31438	2	Lock Ring	
6	31462	2	Bonnet	
7		2	O-Ring	
8		2	O-Ring	
9		2	Washer	
10		2	Stem	
11		2	Plunger	
12		2	Seat Washer	
13		2	Screw	
14		2	Sleeve	
15		2	Renewable Seat	
16	48700	1	Lift Knob	
17	31439	1	Diverter	
18	48700	1	Lift Knob	
19	31437	1	Lift Rod	
20	31456	1	Retainer Cap	
21	31454	1	Retainer	
22	31442	1	Escutcheon	
23	31453	1	Tube and Clamps	
24	31450	1	El and Tube Assembly	
25	31450	1	Gasket	
26	20589	1	Nut	
27	29063	1	Tee	
28	28522	1	Tail Piece	
29	43089	1	Drain El and Tube	
30	29061	1	Gasket	
31	29060	1	Strainer	
32	29599	1	Lift Toggle	
33	29606	1	Nut	
34	38618	1	O-Ring	
35	29676	1	Stopper (Includes Item 34)	
36		1	Spring	
37		1	Link	
38		1	Washer	
39		1	Nut	
40		1	Safety Rod	
41		1	Lift Rod	
42		1	Lift Rod	
43		1	Nut	
44	35307	1	Bolt and Gasket Kit (2 pr.)	
45	31434	2	Grip Rail	
46	43273	2	Stem Extension (Includes Item 51)	
47		2	Handle Insert	
48		2	O-Ring	
49		2	Handle	
50		2	Washer	
51		2	Screw	
52	30338	2	Index Cap (Includes One Hot and One Cold)	
53	K-13055	1	Vacuum Breaker Assembly	
54	28504	2	Nut	
55	29636	2	Gasket	
56	31441	1	Hood	
57	22154	2	Screw (Pr.)	
58	42265	1	C-Clip	

Service Kits

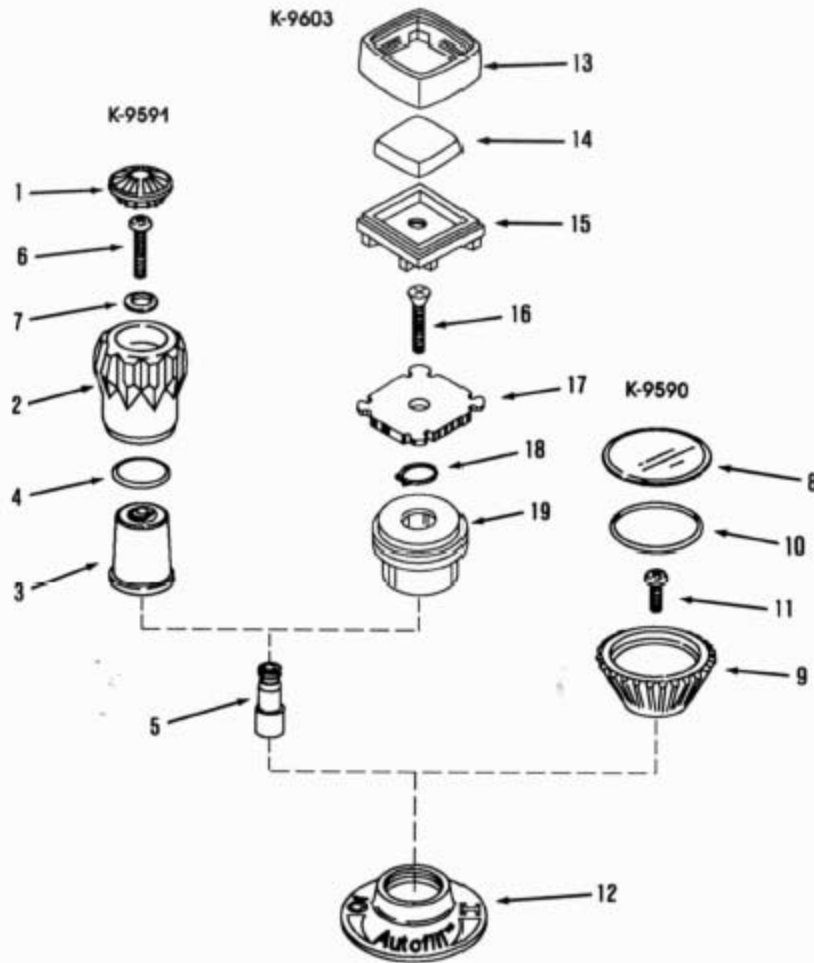
- † Items 7-15, #30002, Valve Assembly
- † Items 7, 8, 9, 12, 13, #30294, Valve Rebuilding (2 ea.)
- † Items 32-35, #29598, Stopper Assembly Kit
- † Items 36-43, #62420, Lift Rod Assembly
- † Items 47-52, #43268, Fair II Handle Assembly

NOTES:

- ‡ Specify Finish.
- § Reference Number Only.
- * Items 6-15, 20, 21, Not included in Trim Kits.
- ** Refer to Index, SP38 Plumbing Products Service Parts Catalog.

KOHLER® SERVICE PARTS

AUTOFILL™ MIXER TRIM KIT
K-9590 BRAVURA™, K-9591 FLAIR II™
K-9603 ALTERNA™



Service Parts

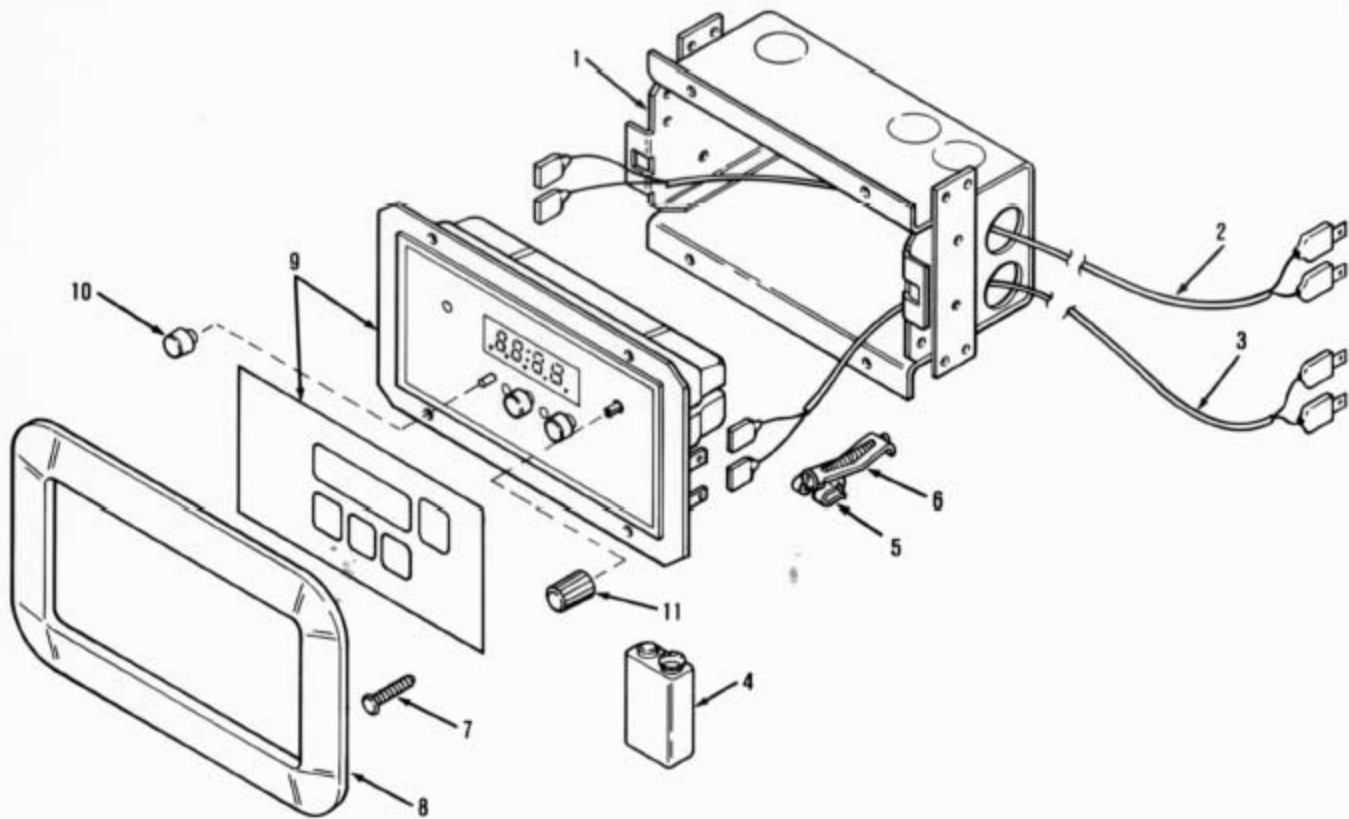
Item No.	Part No.	Qty.	Description	Specifications
1	62490	1	Bullon	
2	43146	1	Handle	
3	41240†	1	Insert	
4	43167†	1	O-Ring	
5	43273	1	Stem Extension	
6	20652†	1	Screw	
7	41298†	1	Washer	
8	62488†	1	Cap	
9	31435†	1	Handle	
10	48694	1	O-Ring	
11	33357†	1	Screw (CP)	
12	62489†	1	Escutcheon	
13	22491†	1	Shell	
14	22493-O	2	Inset (white)	
14	22493-7	2	Inset (black)	
14	22494-G	2	Inset (gold finish)	
15	22454	1	Retaining Cap	
16	63894	1	Screw	
17	22490	1	Adapter	
18	46034	1	Lock Ring	
19	22457†	1	Skirt Handle	

Service Kits

Items:
† 4, 6, 7, #30047, Flair Handle Rebuilding Kit

NOTES:

† Specify Finish.



Service Parts

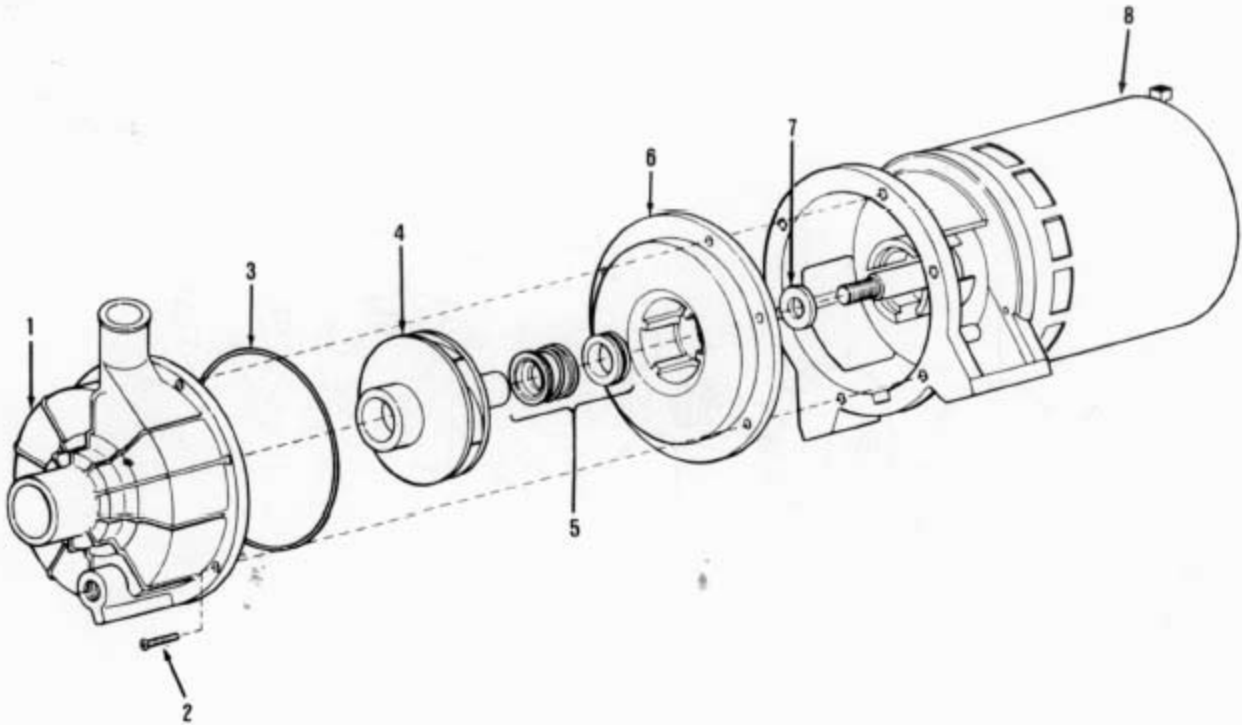
Item No.	Part No.	Qty.	Description	Specifications
1	62408	1	Control Enclosure w/Transformer	
2	62404	1	Solenoid Control Cable	
3	62405	1	Level Switch Control Cable	
4		1	Battery	9V Alkaline
5		2	Expansion Clips	
6		2	Expansion Clip Retainer	
7	62519	4	"Christmas Tree" Clips	Fastex P/N 354-190300-00-75
8	62421	1	Escutcheon (Includes Item 7)	
9	62402	1	Control Unit (Includes Items 10 & 11)	
10		3	Buttons	
11		1	Knob	

Service Kits

Items:

- † 4-6, #62463, Installation/Hardware Package
- † 5, 6, #62518, Expansion Clip Kit (Includes 2 Ea.)
- † 10, 11, #62520, Button/Knob Replacement Kit

NOTES:



Service Parts

Item No.	Part No.	Qty.	Description
1	†	1	Casing
2		6	Screw
3	†	1	"O" Ring
4	†	1	Impeller
5	†	1	Pump Seals
6	60622	1	Seal Plate
7	60630	1	Slinger
8		1	Motor

Specifications

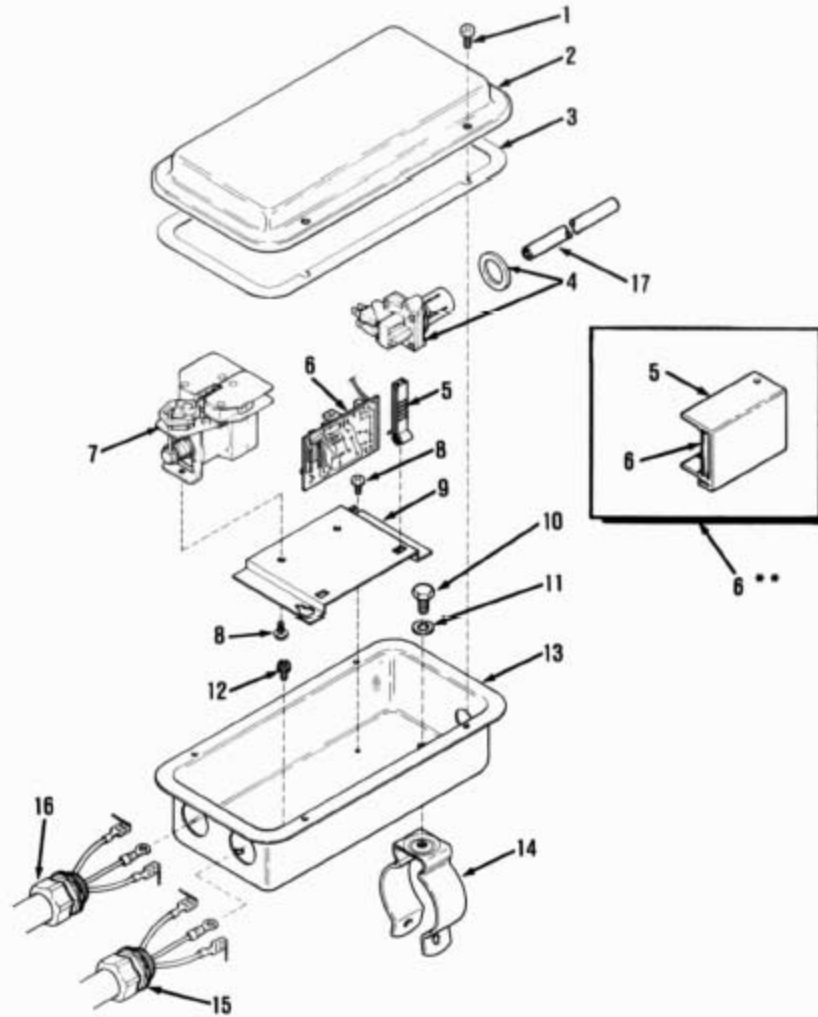
#10-32 x 3/8" Hex Head S.S.

Service Kits

- Items
 † 1, 4, #60636, Pump Rebuild Kit
 † 3, 5, #60499, Seal Kit

NOTES:

- Pump Manufactured by ITT Marlow:
 #s 3/4 HS 76SC and 3/4 HX 78SC
 § Reference Number Only.



Service Parts

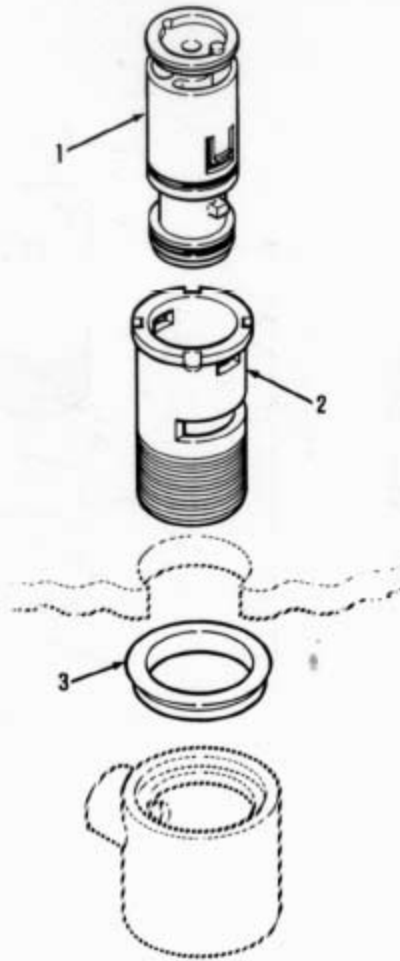
Item No.	Part No.	Qty.	Description	Specifications
1	†	4	Screw	#10-24 x 1/2" Thread Forming Fillister Head
2	†	1	Cover	
3	†	1	Gasket	
4	60756	1	Air Switch Assembly	
5	†	2	Holder	
6	60781	1	PC Board and Holder Kit (Includes Item 5)	
6	•	1	PC Board and Holder Kit (Includes Item 5)	
7	†	1	Relay	
8	†	4	Screw	#8 x 3/16" Thread Forming Pan Head
9	†	1	Mounting Bracket	
10	†	2	Bolt	1/4"-20 x 1/2" Hex Head
11	†	2	Washer	1/4" Split Washer
12	†	1	Screw	#8 Ground Screw
13	60782	1	Enclosure	
14	60137	2	Hanger	
15	60753	1	Cable Assembly (36")	
16	60788	1	Cable Assembly (20")	
17	•	1	Air Switch Tube	

Service Kits

Items:
 † 5, 6, 7, 8, 9, #60780, Relay and PC Board Kit
 † 1, 2, 3, #60783, Cover Assembly

NOTES:

- * For 120" of Plastic Tube, Order #61972.
- ** Used After 6-1-86.



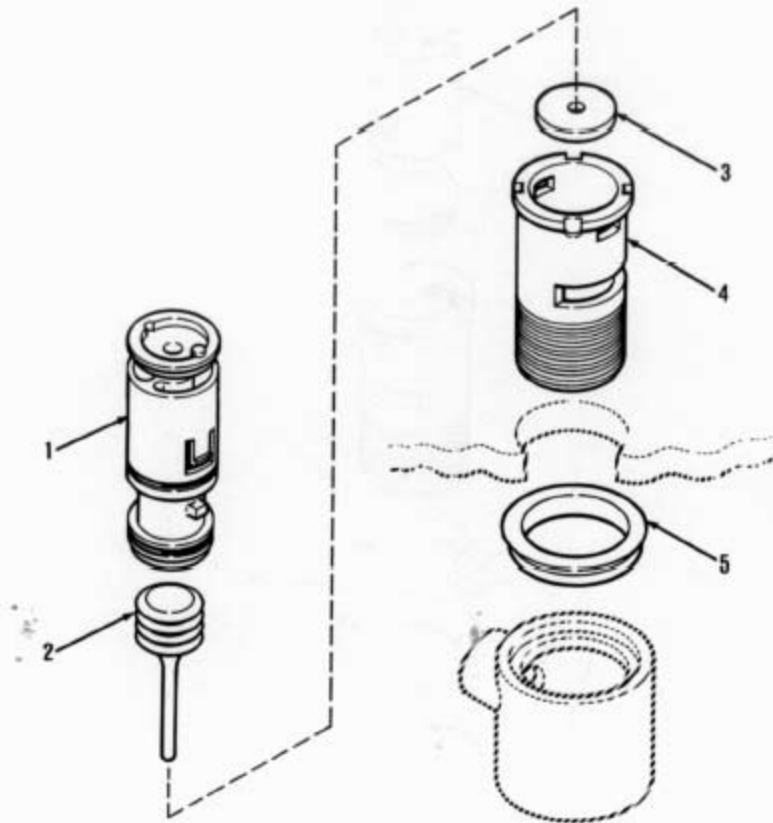
Service Parts

Item No.	Part No.	Qty.	Description	Specifications
1	60720	1	Extended Air Control Assembly	
2	60682	1	Housing	
3	60715*	1	Gasket	

Service Kits

NOTES:

* #60715 Gasket Not Included In #60722 Assembly.



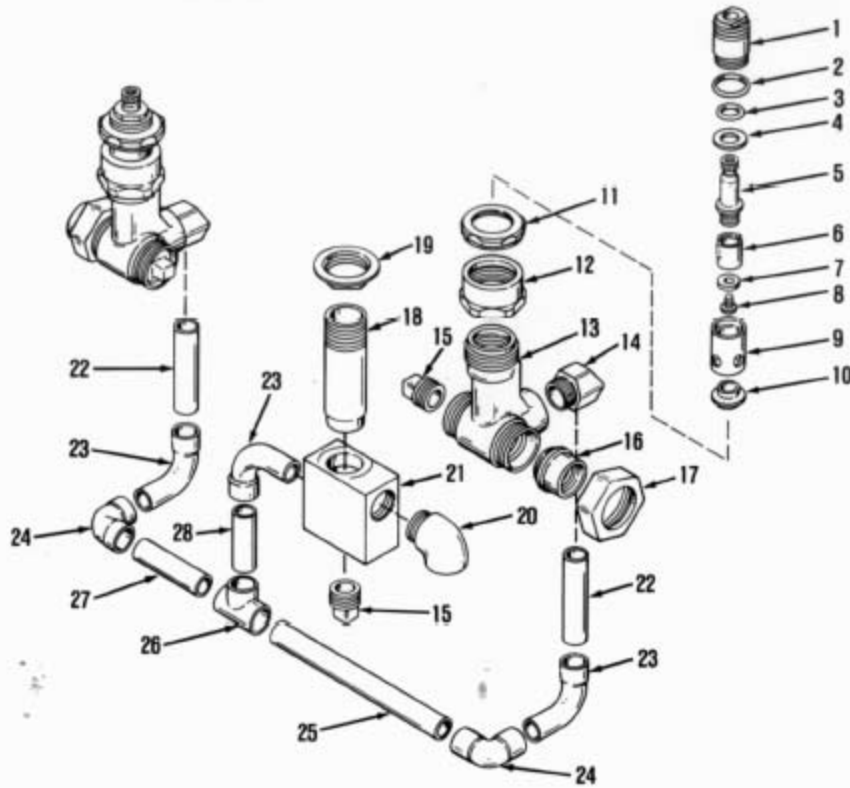
Service Parts

Item No.	Part No.	Qty.	Description	Specifications
1	60720	1	Air Control Actuator Assembly	
2	60690	1	Air Bellows	
3	60634	1	Gasket	
4	60691	1	Housing	
5	60715*	1	Gasket	

Service Kits

NOTES:

- * #60715 Gasket Not Included in #60721 Assembly.



Service Parts

Item No.	Part No.	Qty.	Description	Specifications
1	31462	2	Bonnet	
2		2	O-Ring	
3		2	O-Ring	
4		2	Washer	
5		2	Stem	
6		2	Plunger	
7		2	Seat Washer	
8		2	Screw	
9		2	Sleeve	
10		2	Renewable Seat	
11	31457	3	Nut	
12	31463	2	Lock Nut	
13		2	Valve Body	
14	*	2	Adapter	
15	*	3	Plug	
16	†	2	Union Joint	
17	†	2	Union Nut	
18	*	1	Diverter Tube	
19	*	1	Lock Nut	
20	*	1	Supply Elbow	
21	*	1	Diverter Body	
22	*	2	Tube	1/2" x 2 1/8" Nominal
23	*	3	Elbow	1/2" 90° Street
24	*	2	Elbow	1/2" 90°
25	*	1	Tube	1/2" x 7 1/8" Nominal
26	*	1	Tee	1/2" x 1/2" x 1/2"
27	*	1	Tube	1/2" x 2 3/8" Nominal
28	*	1	Tube	1/2" x 2 1/8" Nominal

Service Kits

- Items:
 † 2, 3, 4, 7, 8, 10, #30294, Valve Rebuilding Kit (2 Ea.)
 † 2-10, #30002, Valve Replacement
 † 16, 17, #30204, Union S.A. (1/2" I.P.) (2 Ea.)
 † 1-10, #31468, Renewable Unit

NOTES:

- * For Replacement of #314615 Supply Harness, Order #31001 Supply Valve Assy. and #60745 Diverter Seal.