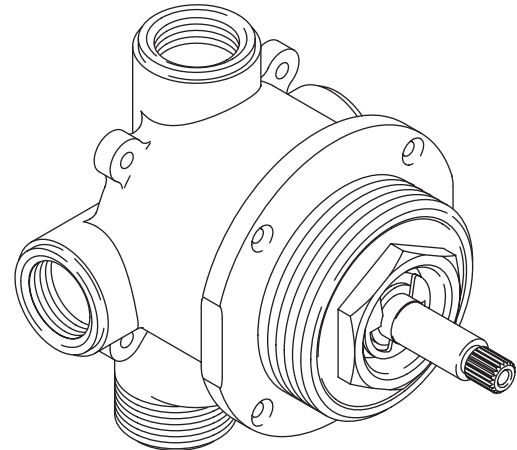


**3-WAY TRANSFER VALVE
K-672-K**

Features

- Brass construction
- Wall-mount
- Brass valve body
- One-piece self-contained ceramic disc valve for ease of maintenance
- Selection of one or combination of two outlets
- Single-handle control
- One 3/4" NPT inlet connection
- Three 1/2" NPT outlet connections
- Intended for use with Kohler® bath and shower supply valves



Codes/Standards Applicable

Specified model meets or exceeds the following:

- ASME A112.18.1
- CSA B125
- IAPMO/UPC

Colors/Finishes

- NA: None applicable

Specified Model

Model	Description	Colors/Finishes
K-672-K	3-way transfer valve	<input type="checkbox"/> NA

Product Specification

Single-handle wall-mount 3-way transfer valve shall be of brass construction. Product shall feature one 3/4" NPT inlet connection, three 1/2" NPT outlet connections, and a brass valve body. Product shall feature a one-piece self-contained ceramic disc valve for ease of maintenance. Product shall feature a selection of one or combination of two outlets. Product is intended for installation with any Kohler bath and shower supply valves. Transfer valve shall be Kohler Model K-672-K-NA.

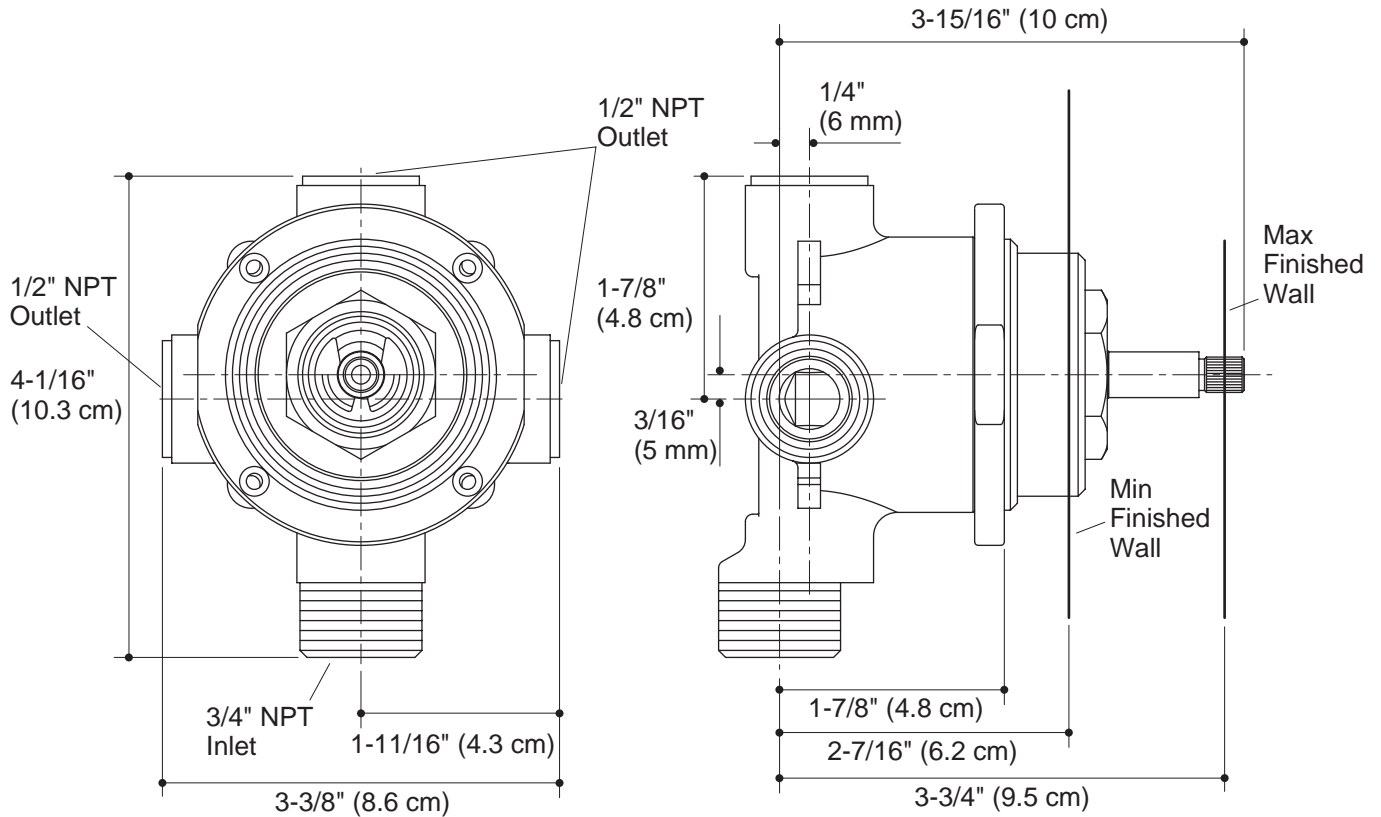
MASTERSHOWER™

Installation Notes

Install this product according to the installation guide.

Product is not intended for use as a shut-off valve.

Product requires a mixed water supply to the inlet.



Product Diagram