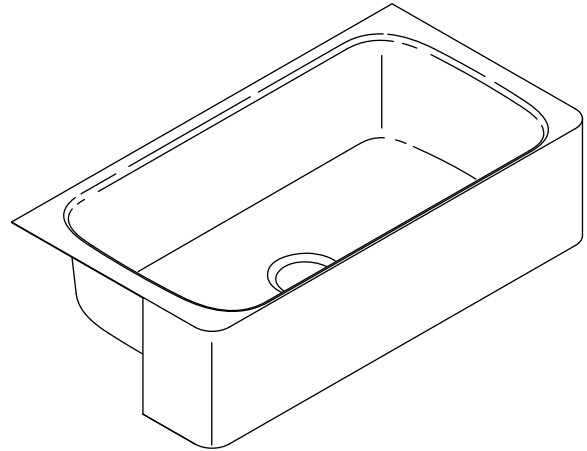


Features

- 18-gauge stainless steel
- Abrasive finish
- With integral apron
- Single compartment
- Includes installation hardware
- 33" (838 mm) x 17-3/8" (441 mm)

APRON-FRONT UNDER-MOUNT KITCHEN SINK K-3086



Codes/Standards Applicable

Specified model meets or exceeds the following:

- ASME A112.19.3/CSA B45.4

Colors/Finishes

- NA: None applicable

Accessories

- CP: Polished Chrome
- ST: Stainless Steel
- Other: Refer to Price Book for additional colors/finishes
- NA: None applicable

Specified Model

Model	Description	Colors/Finishes
K-3086	Apron-front under-mount kitchen sink	<input type="checkbox"/> NA
Recommended Accessories		
K-9000	P-Trap	<input type="checkbox"/> CP
Optional Accessories		
K-2989	Countertop cutting board	<input type="checkbox"/> NA
K-3133	Bottom bowl rack	<input type="checkbox"/> ST

Product Specification

The apron-front under-mount kitchen sink shall be made of 18-gauge stainless steel. Sink shall be 33" (838 mm) in length and 17-3/8" (441 mm) in width. Sink shall have abrasive finish. Sink shall be single compartment. Sink shall have integral apron. Sink shall include installation hardware. Sink shall be Kohler Model K-3086-NA.

Optional Accessories (cont.)

K-8801	Duostrainer® sink strainer	<input type="checkbox"/> CP	<input type="checkbox"/> Other _____
K-8803 with K-8804	Duostrainer sink strainer	<input type="checkbox"/> CP	<input type="checkbox"/> Other _____
K-8813	Stainless steel sink strainer with tailpiece	<input type="checkbox"/> CP	
K-8814	Stainless steel sink strainer, less tailpiece	<input type="checkbox"/> CP	

Technical Information

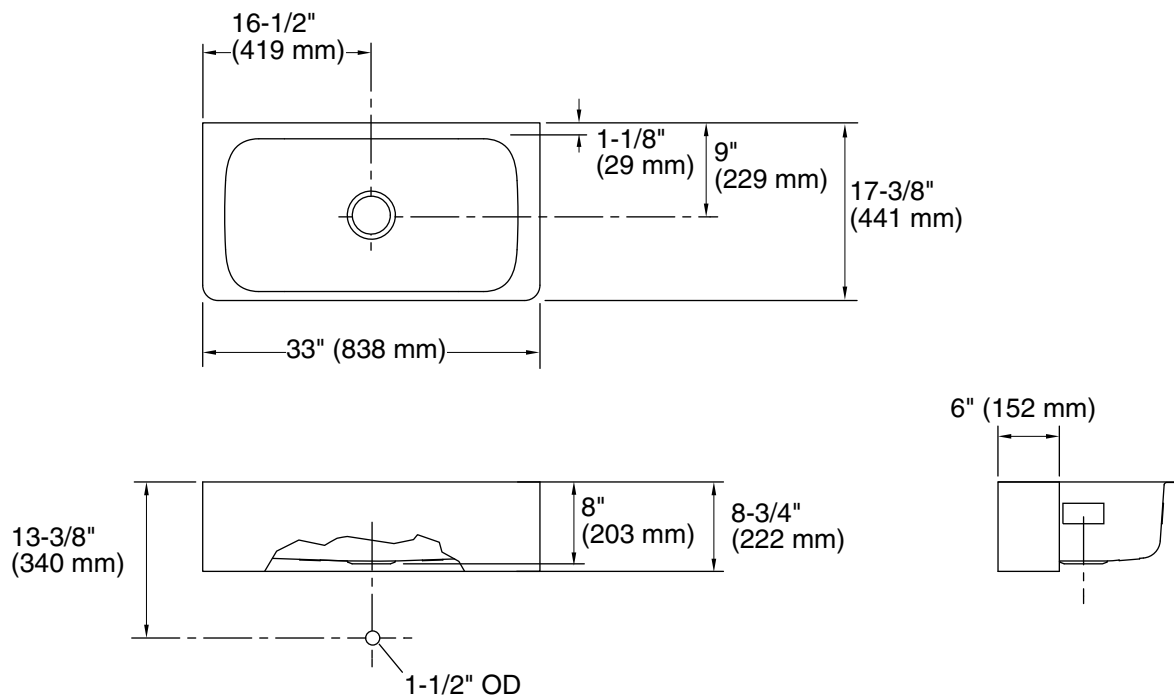
Fixture*:	
Bowl area	29-1/2" (749 mm) x 15-3/4" (400 mm)
Water depth	7-5/8" (194 mm)
Drain hole	Ø 3-5/8" (92 mm)
* Approximate measurements for comparison only.	

Included components:	
Hardware kit	91915

Installation Notes

Install this product according to the installation guide.

Due to the special nature of this installation, Kohler Co. recommends that an experienced cabinet maker use the actual sink to build the new cabinet or modify an existing cabinet.



Product Diagram