

KOHLER® Roughing-In

K-1338-H2 WATERSCAPE® BATH WHIRLPOOL

Product Information

Applicable product:	
Bath whirlpool	K-1338-H2
Fixture*:	
Basin area:	
Bathing well	42" (106.7 cm) x 24" (61 cm)
Top area	58" (147.3 cm) x 27" (68.6 cm)
Weight	130 lbs (59 kg)
To overflow:	
Water depth	16" (40.6 cm)
Capacity	78 gal (295.3 L)
* Approximate measurements for comparison only.	
Drop-in cut-out	65" (165.1 cm) x 34-3/4" (88.3 cm)
Cut-out template	115741-7

Pump:	kW	V	Hz	A
Variable-speed:	1.5	240	50/60	15

Required Electrical Service

Dedicated circuit required, protected with Class A Ground-Fault Circuit-Interrupter (GFCI) or Residual Current Device (RCD):	
Pump/control	220/240 V, 20 A, 50/60 Hz

Installation Notes

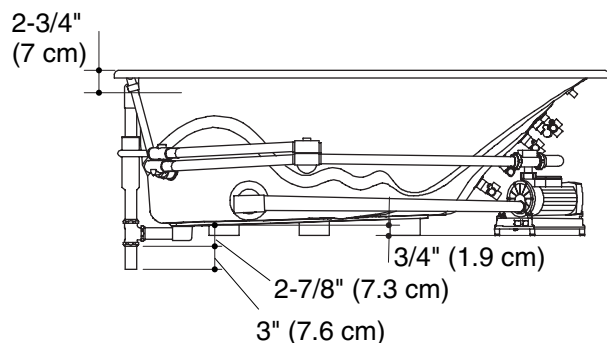
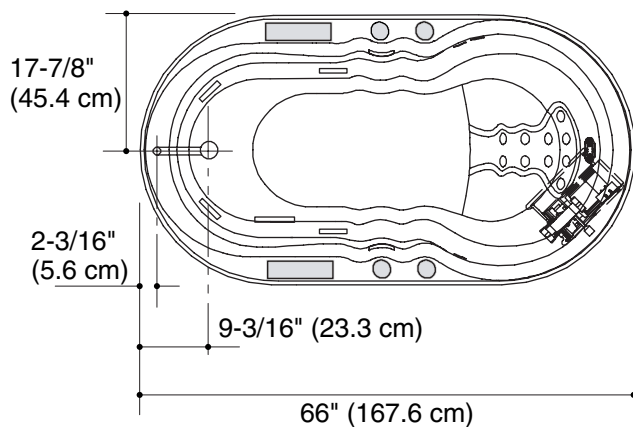
Install this product according to the installation guide.

Floor support under whirlpool must provide for a minimum of 50 lbs/square foot (241 kg/square meter) loading.

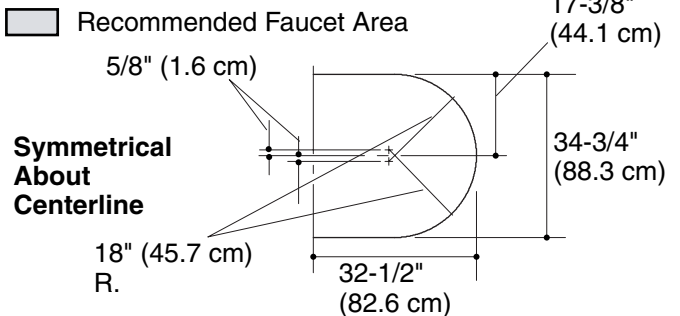
Hot water supply should be 70% of capacity or greater. Installations will vary.

If installing a rim-mount faucet, make sure there is no interference with drain overflow and circulating system before drilling any holes. Consult local and national codes for minimum air gap requirements if installing a spout on the faucet deck.

Fixture conforms to ANSI Standard Z124.1.2. All dimensions are nominal.



No change in measurements if connected with drain illustrated. (K-7161-AF or K-7161M-AF)



Pump/Control Access
34" (86.4 cm) W x
15" (38.1 cm) H

