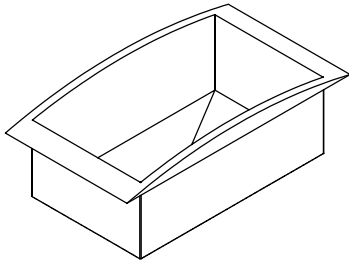


Installation Guide

Stainless Steel Kitchen Sink

K-3377



THE BOLD LOOK
OF **KOHLER**®

1022027-2-A

Thank You For Choosing Kohler Company

We appreciate your commitment to Kohler quality. Please take a few minutes to review this manual before you start installation. If you encounter any installation or performance problems, please don't hesitate to contact us. Our phone numbers and website are listed on the back cover. Thanks again for choosing Kohler Company.

Before You Begin

- Refer to the Homeowners Guide to determine all necessary components for your installation.
- Remove the sink from its carton and inspect for damage.
- During installation, store the sink in the protective carton whenever possible.
- Observe all local plumbing and building codes.

Tools and Materials



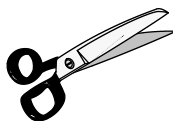
Pencil and
Marker



Measuring Tape



Drill



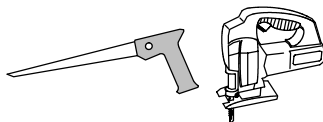
Scissors



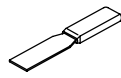
Sealant



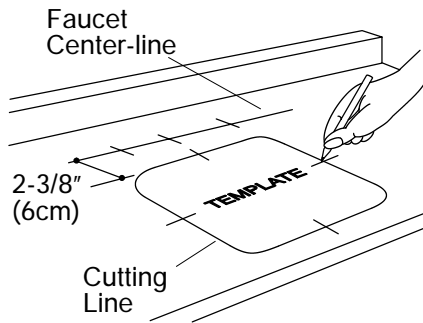
Safety Glasses



Keyhole/Compass
or Saber Saw



Putty Knife



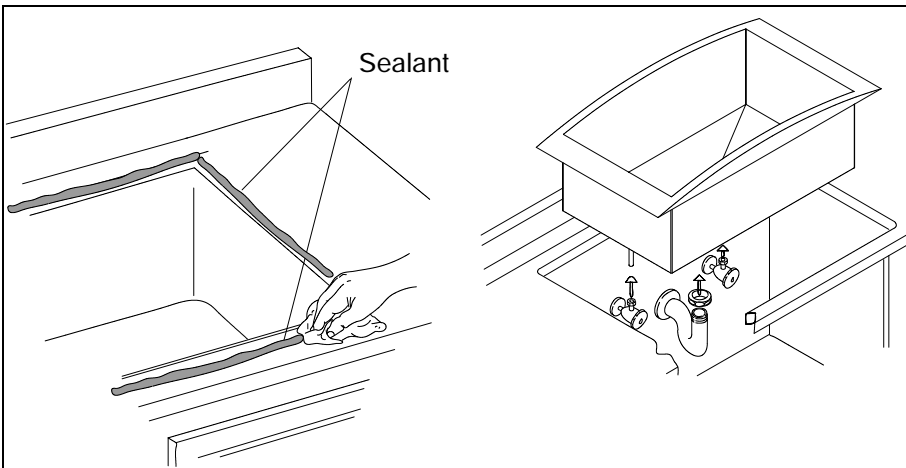
1. Position the Template

- Cut the template following the lines marked "Cut on this line".
- Determine your desired installation location. Use the center-lines provided on the template to assist in positioning.
- Position the template on the countertop in the desired location. Make sure the template is secured firmly in place so it cannot move.
- Check for adequate clearance between the sink, faucet and backsplash. Verify that the sink will not interfere with the cabinet during installation.
- Trace the outside edges of the template with a pencil.
NOTE: For multiple sink installations, a minimum distance of 2-3/16" (5.6cm) is required between sinks.
- Locate the faucet hole center-lines on the countertop. The faucet hole clearance from the top of the cutout must be 2-3/8" (3cm) minimum.

2. Cut the Mounting Holes

CAUTION: Risk of damage. To avoid damage to the sink, do not cut, drill, or sand the countertop while it is positioned over the sink.

- Before cutting, measure the cut-out line and compare it to the overall sink dimension. The cut-out should be 1" (2.5cm) smaller than the overall side-to-side dimension on the longer side and 3/4" (1.9cm) smaller than the overall front-to-back dimension.
- Drill a pilot hole inside the cut-out line.
- Using a saber or keyhole saw, cut along the inside of the cut-out line.
- Drill the required faucet holes and install the faucet to the countertop according to the faucet manufacturer's instructions.

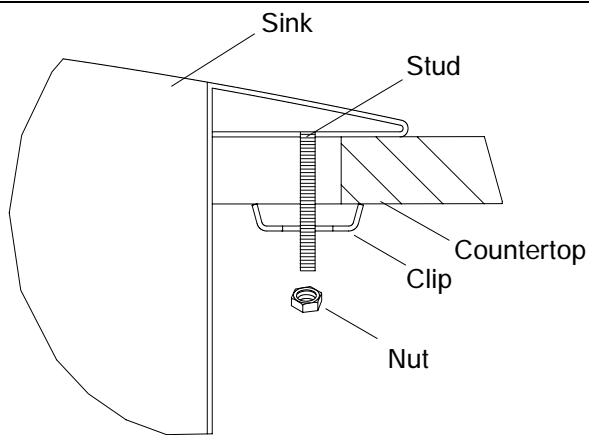


3. Install the Drain

- Install the drain fittings to the sink according to the manufacturer's instructions.
- If you are reusing fittings, use plumbers putty under the faucet base and top flange of the drain.

4. Position the Sink

- Apply a continuous bead of silicone sealant around the edge of the sink cut-out.
- Carefully place the sink in the cut-out.



5. Secure the Sink

- Slide a clip onto one of the four studs.
- Start the nut. Repeat with each stud.
- Evenly tighten each nut. Make sure the clips contact the countertop.
- Wipe away any excess sealant on the edges of the sink.

6. Connect the Faucet and Drain

- Connect the drain to the wall drain.

7. Installation Checkout

- Turn on the main water supply and check for leaks.

USA: 1-800-4-KOHLER
Canada: 1-800-964-5590
Mexico: 001-877-680-1310
kohler.com

THE BOLD LOOK
OF **KOHLER**®

© 2003 Kohler Co.

1022027-2-A