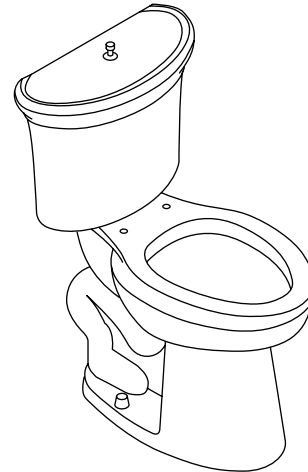


Features

- Vitreous china
- 12" (30.5 cm) rough-in
- 1.6 gpf (6 lpf)
- 2" (5.1 cm) glazed trapway
- Combination toilet
- Ingenium® flushing system
- Less seat and supply
- Elongated bowl
- Includes polished chrome flush actuator
- 11-1/8" (28.3 cm) x 9-1/2" (24.1 cm) water area
- 29" (73.7 cm) x 19-7/8" (50.5 cm) x 32-1/4" (81.9 cm)

COMFORT HEIGHT® TOILET K-3464



Codes/Standards Applicable

Specified model meets or exceeds the following:

- ASME A112.19.2/CSA B45.1

Colors/Finishes

- 0: White
- Other: Refer to Price Book for additional colors/finishes

Accessories

- 0: White
- CP: Polished Chrome
- PB: Vibrant® Polished Brass
- Other: Refer to Price Book for additional colors/finishes

Specified Model

| Model | Description | Colors/Finishes | | |
|--------------------------------|---|-----------------------------|-------------------------------------|-------------------------------------|
| K-3464 | Elongated bowl toilet | <input type="checkbox"/> 0 | <input type="checkbox"/> Other_____ | |
| Recommended Accessories | | | | |
| K-4636 | Cachet® Quiet-Close™ closed-front toilet seat | <input type="checkbox"/> 0 | <input type="checkbox"/> Other_____ | |
| K-7637 | Angle supply with stop – 3/8" NPT | <input type="checkbox"/> CP | <input type="checkbox"/> PB | <input type="checkbox"/> Other_____ |
| Optional Accessories | | | | |
| K-9446 | Flush actuator | <input type="checkbox"/> PB | <input type="checkbox"/> Other_____ | |

Product Specification

The elongated toilet combination shall be made of vitreous china. The toilet shall be 29" (73.7 cm) in length, 19-7/8" (50.5 cm) in width, and 32-1/4" (81.9 cm) in height with 11-1/8" (28.3 cm) x 9-1/2" (24.1 cm) water area. The toilet shall be 12" (30.5 cm) rough-in. The toilet shall have 2" (5.1 cm) glazed trapway. The toilet shall be 1.6 gpf (6 lpf) with Ingenium® flushing system. The toilet shall include polished chrome flush actuator. The toilet shall be less seat and supply. The toilet shall be Kohler Model K-3464-_____.

SERIF®

Technical Information

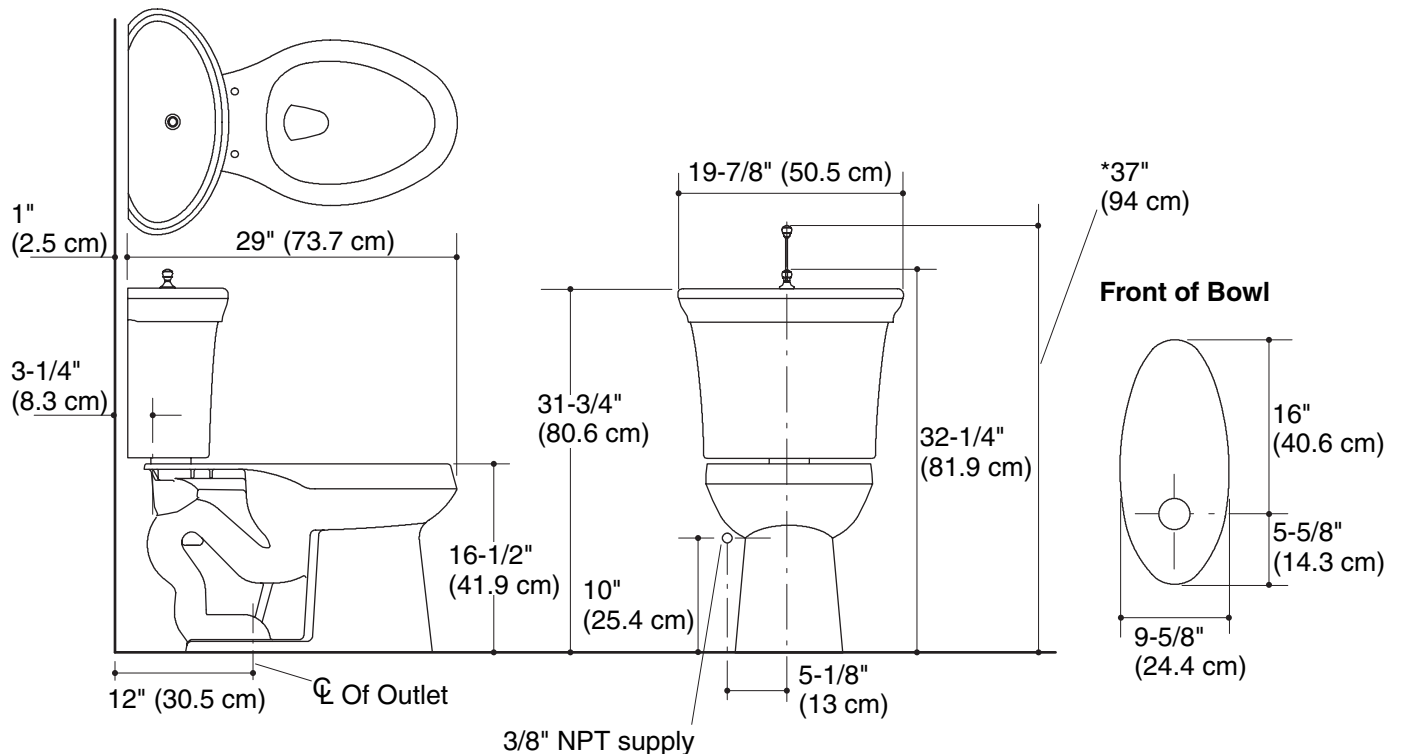
| | |
|------------------------|---|
| Fixture: | |
| Configuration | two-piece, elongated |
| Water per flush | 1.6 gal (6 L) |
| Passageway | 2" (5.1 cm) |
| Water area | 11-1/8" (28.3 cm) x 9-1/2" (24.1 cm) |
| Water depth from rim | 6" (15.2 cm) |
| Seat post hole centers | 5-1/2" (14 cm) |

| | |
|-------------------------|----------|
| Included components: | |
| Bowl | K-4274 |
| Tank | K-4608 |
| Tank cover | 1032188 |
| Tank accessory pack | 73062 |
| Bolt cap accessory pack | 1013092 |
| Flush actuator | 83845-CP |

Installation Notes

Install this product according to the installation guide.

*Indicates maximum lift of trip lever during actuation.



Product Diagram