

Installation Guide

安装说明

DROP-IN OR FREESTANDING CAST IRON BATH

嵌入或独立式铸铁浴缸

上海科勒有限公司
上海市浦东星火开发区民乐路368号 邮编：201419

Before You Begin

A. Introduction

- Please read these instructions carefully to familiarize yourself with the required tools, materials, and installation sequences. Follow the sections that pertain to your particular installation. This will help you avoid costly mistakes. In addition to proper installation, read all operating and safety instructions.
- All information is based on the latest product information available at the time of publication. Kohler Co. reserves the right to make changes in product characteristics, packaging, or availability at any time without notice.
- These instructions contain important care, cleaning, and warranty information-**please leave these instructions for the consumer.**

B. Installer Hazard Notification

- ⚠ **CAUTION!!** Risk of personal injury.
Cast iron baths are extremely heavy. Wear appropriate safety equipment when installing these products.

Product Requirements

A. Summary Of Key Requirements

- Observe all local plumbing codes.
- Install the bath tub to a level subfloor.
- Provide properly-dimensioned space.
- Ensure that the drain location corresponds to the bath outlet.
- Make sure the flooring offers adequate support for your bath.
- This instruction is for both freestanding and drop-in installations. Follow only the instructions that apply to your particular installation.

- ⚠ **CAUTION: Risk of product or property damage.** Do not support the bath by the rim.

B. Product Inspection

Uncrate and inspect bath for damage. Leave all materials in the crate during construction to prevent damage.

Installation Requirements

A. Tools And Materials Required (Not Supplied)

- Safety glasses
- Tape measure
- Pencil
- Level
- Blade screwdriver
- Phillips screwdriver
- Pliers
- Sealant
- Square
- Knife
- Conventional woodworking tools and materials
- Drop cloth 2×4's or 2×6's
- Water-resistant wall material
- Metal shims
- 7/16" ratchet or combination wrench
- Rags

B. Clearance Requirements

Check the rough-in and room dimensions to provide adequate available space for the bath unit.

Site Requirements

A. Old Bath Removal (if necessary)

B. Subfloor Preparation

Check the flooring under the bath, and make repairs as needed. Make sure the subfloor is level.

C. Plumbing Preparation

Position the plumbing according to rough-in dimensions. Cap the supplies and check for leaks.

D. For freestanding installations

Complete finish wall.

Drop-in Bath Installation

Before Installing Unit

A. The following installation practices must be followed to avoid any potential damage to the enamel finish.

⚠ WARNING!! Failure to follow the manufacturer's recommended installation method may result in damage to the enamel surface.

- ❑ Do not use sharp objects or metal tools when handling the bath, especially around the rim area.
- ❑ Use a clear protective plastic film over tub rim as well as the bottom of tub to safeguard from dirt and silicone during the installation process.
- ❑ For correct installation, bath rim should not come in direct contact with the walls and/or horizontal surfaces to avoid transmission of noise and vibration as well as potential cracks in the enamel finish.
- ❑ The necessary gap between bath rim and the wall is 2 mm horizontally and 4 mm vertically. Refer to figures 1, 2, and 3 above.
- ❑ Before placing setting-in the bath, apply a sanitary quality silicone filler on all surfaces to come in contact with the bath rim.
- ❑ Set the bath in its correct position.

B. Partially Install Bath Drain

Install the drain on the bath according to the drain manufacturer's instructions.

UNIT: mm

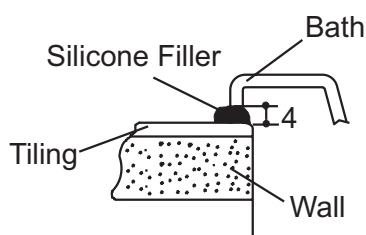


Fig. 1

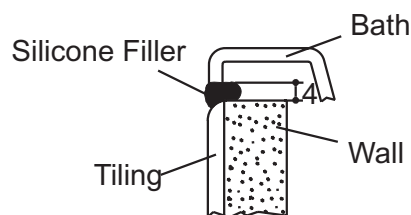


Fig. 2

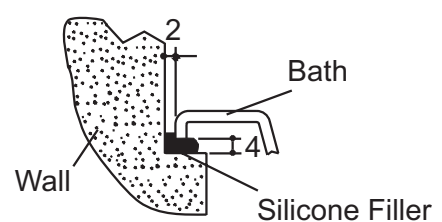


Fig. 3

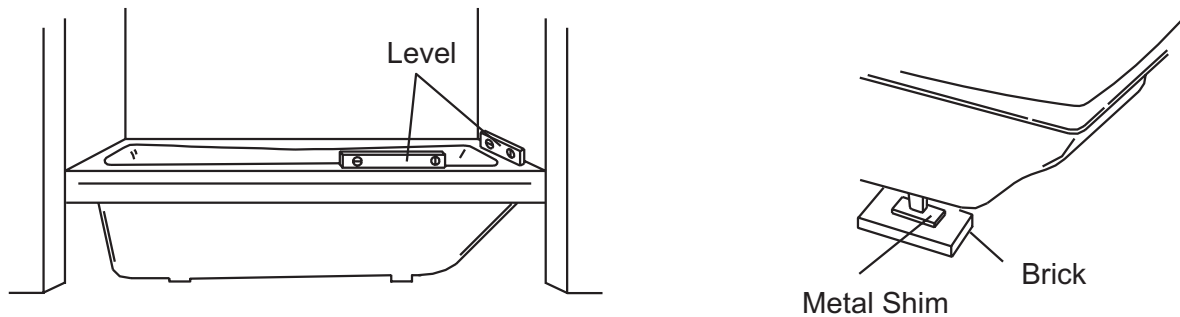
Install the Bath

A1. Installation of Bath with Adjustable Height

Slide the new bath into position.

Level the bath by positioning metal shims and bricks under the bath feet and ensure there is enough space for the drain. Attention: the metal shims are necessary to avoid cracking of bricks. Check for level along the top of the side of the bath and across the drain end. The bath may have to be moved in and out of the recess area until it is shimmed properly, if the support feet are not accessible from the back or side.

Adjustable feet can also be used.

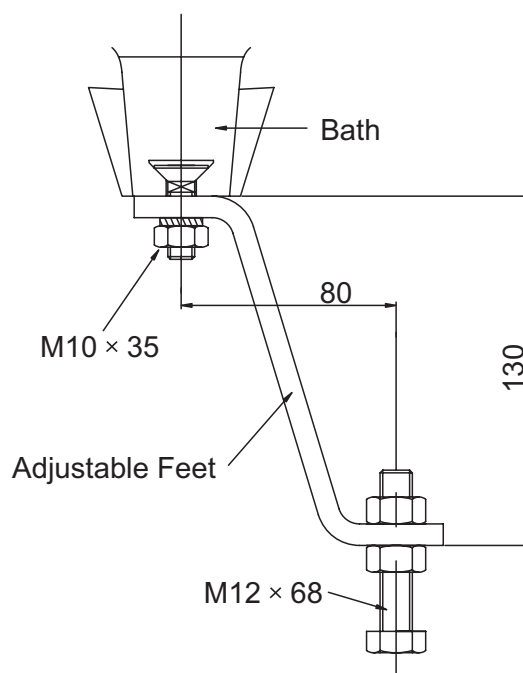


Install Adjustable Feet(Only for drop-in bath)

- Do not allow the feet or the trap to scrape the floor during installation, or you could damage the enamel.
- The bath is equipped with adjustable feet to make proper distance between the bath and the floor, as shown in the following figure.

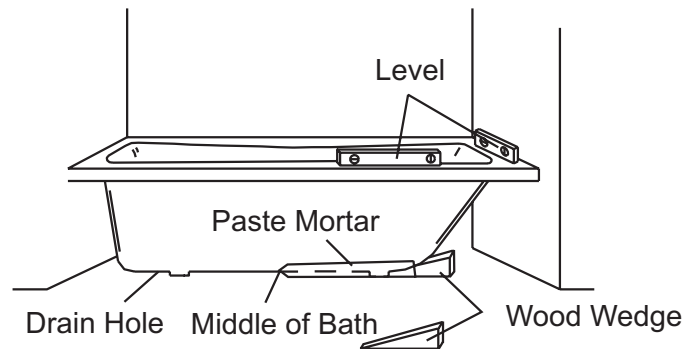
Do not apply sealant to the area between the feet and the floor.

- Check for level along the top of the side of the bath and across the drain end.



A2. Through the Floor Drain Bath Installation

Slide the new bath into position to verify the drain location and the stud fit. Cut a minimum 152 × 305 mm hole in the floor for the drain connection.



Use 25~30 Kg dry cement and sand mix. Add water to make a paste mortar. Remove the tub. Cover the installation area with the mortar starting from the middle of the tub as shown. The height of the mortar should reach the bottom of the tub.

NOTE: Do not clog the drain hole.

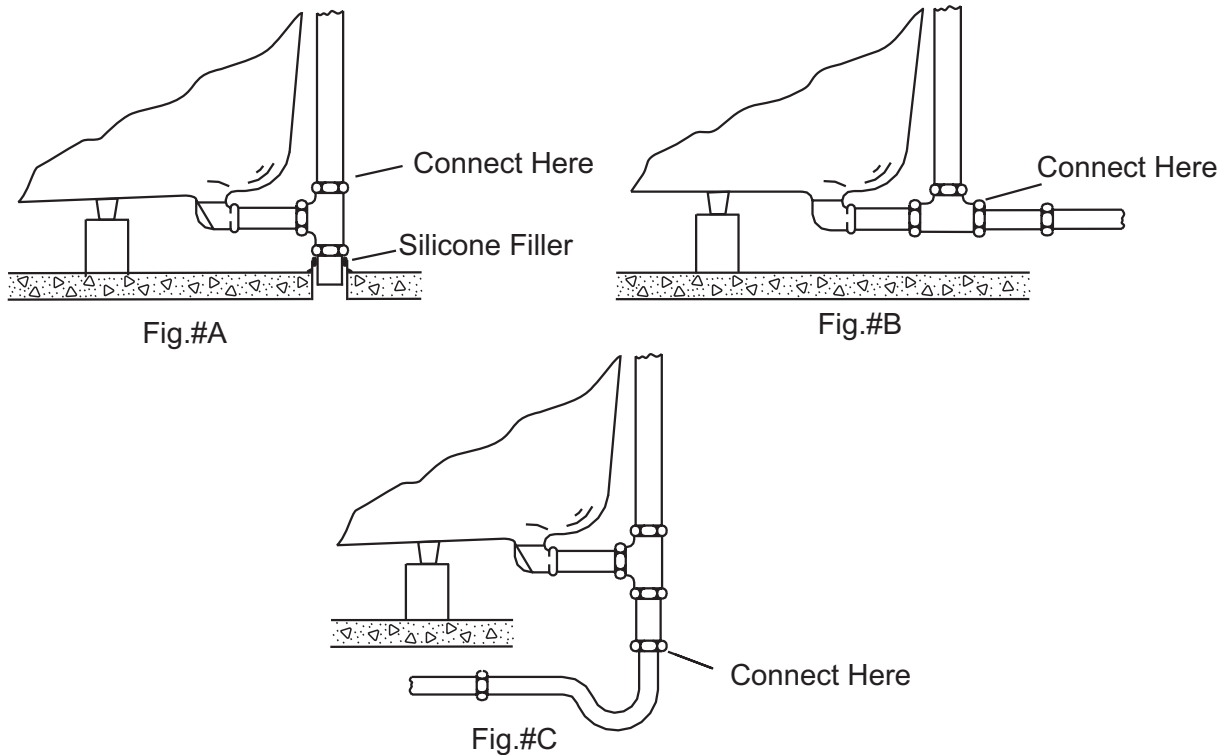
Place the tub onto the mortar.

Make sure that the bottom of the tub is pressed into mortar in order to secure the tub. Insert two wood wedges under the tub to support the weight of the tub until the mortar hardens. (Wedges will remain in the mortar.) Frequently check the level of the tub.

B. Install Plumbing

 **CAUTION: Risk of damage to bath bottom and subfloor.** Ensure a watertight seal on the bath drain connections.

- 1). When the bath is securely positioned, connect the drain to the trap. See fig. A. B.C
- 2). Install the faucet and fittings. Open the hot and cold water valves, and check the supply connections for leaks.
- 3). Run water into the bath, and check the drain connections for leaks.



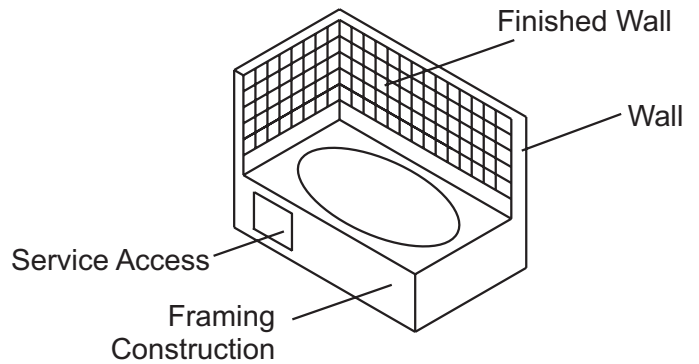
C. Finish Bath Area Construction

NOTE: The access panel should be at the same side of the bath drain. Possible framing arrangements are illustrated below. Use the framing construction appropriate for your particular bath model. Some modifications may be needed for other types of construction, if preferred.

Recommended For Drop-in Models

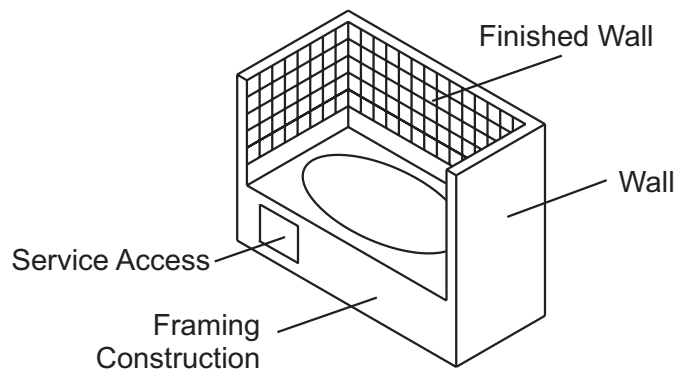
1). Corner Installation

The suggested framing construction is illustrated.



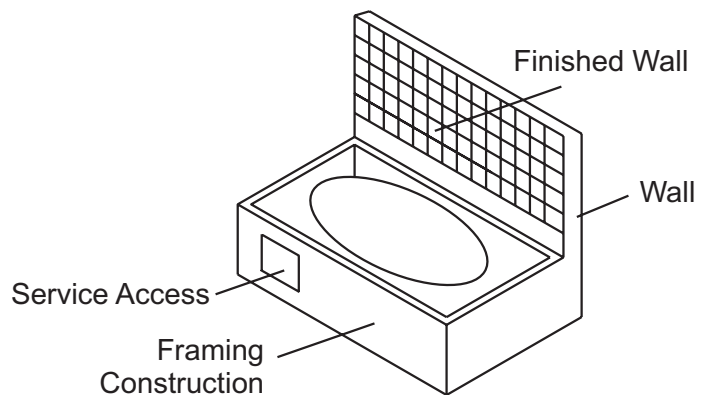
2). Recess Installation

The suggested framing construction is illustrated.



3). Peninsular Installation

The suggested framing construction is illustrated.



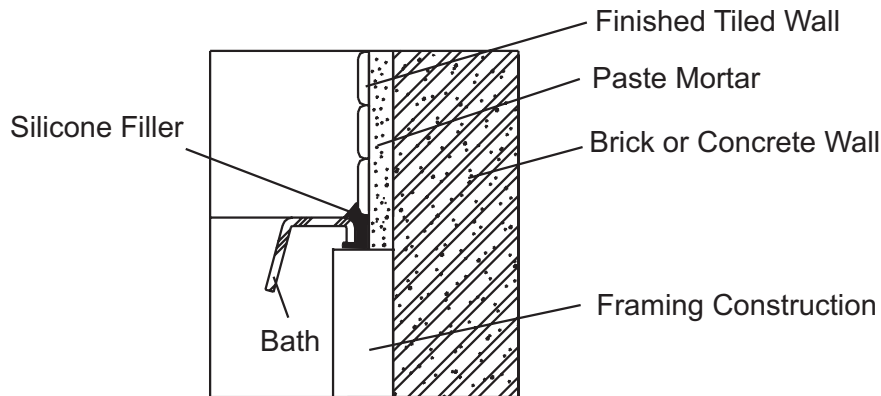
D. Install the Grip Rail (If with grip rail holes)

Install the grip rail on the bath according to the grip rail manufacturer's instructions.

Complete Finished Wall

⚠ CAUTION: Risk of product damage. Do not support the weight of the bath by the rim.

Install the ceramic or marble tiles. Seal the joints between the bath rim and the finished tiled wall using silicone sealant. RTV (Room Temperature Vulcanizing) sealant is recommended.



For Freestanding Installations

Partially Install Bath Drain

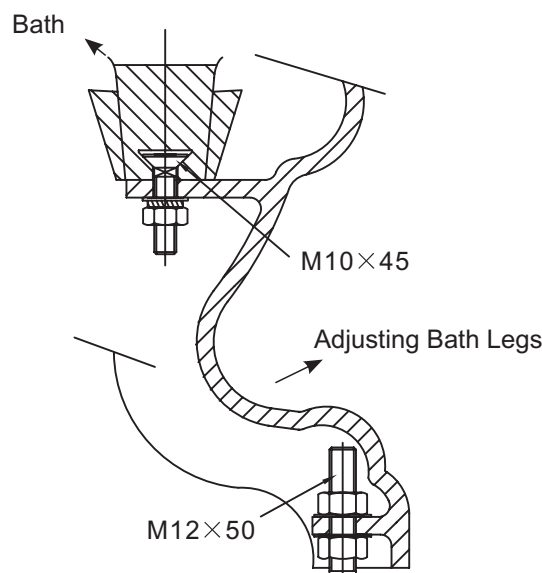
Install the drain on the bath according to the drain manufacturer's instructions.

⚠ CAUTION: Risk of personal injury. Cast iron baths are extremely heavy. Obtain sufficient help to carefully lift or move the bath.

- Use at least four people to carefully place the bath at the desired place.

Install the Adjusting Bath Legs—Freestanding Installations Only

- Do not allow the feet or drain hole to scrape the floor during installation, or you could damage the enamel.
- All baths are equipped with adjustable legs for proper level and height on all floors. The adjustment is $\pm 10\text{mm}$ compared to dimension cited on price list. Do not seal legs to the floor.
- Check for level along the top of the side of the bath and across the drain end.



Clean-up After Installation

When cleaning up after installation, do not use abrasive cleansers as they may scratch and dull the surface. Use warm water and liquid, non-abrasive detergent to clean the surface.

Stubborn stains, paint, or tar can be removed with turpentine or paint thinner. Do not allow cleaners containing petroleum distillates to remain in contact with the bath surface for long periods of time. Plaster can be removed by scraping with wood edge. Do not use metal scrapers, wire brushes, or other metal tools. One of the powder type detergents may be used on a damp cloth to provide mild abrasive action to the residual plaster.

Important Consumer Information

The Safeguard slip resistant surface on this bathtub meets or exceeds the requirements of ASME/ANSI for A112.19.1M slip resistance.

DANGER!! Improper maintenance or cleansers may permanently remove the slip resistant surface on Kohler bathtubs.

NOTICE: All housekeeping and maintenance employees must be trained in the proper cleaning of Kohler bathtubs. Post a copy of this notice in a readily-visible location.

DO NOT use steel wool, wire brushes, metal scrapers or abrasive sponge pads to clean a Kohler bath tub.

DO NOT use buffing machines on the slip resistant surface.

DO NOT use high alkaline or strong acid cleansers.

DO NOT use abrasive cleansers.

- Use only non-abrasive cleansers and a soft nylon brush to clean the slip resistant surface.
- When using commercial cleansers, use cleansers with a pH of between three and eight.
- Follow cleanser manufacturer instructions very carefully.

安装之前

A. 引言

- 请仔细阅读此说明书以熟悉所需要的工具、材料及安装顺序。遵循适合您的特定安装要求的各项内容，避免昂贵的损失。除了要正确安装外，还应阅读操作及安全说明。
- 所有的资料是按最新发布的产品资料编写而成。科勒公司保留任何时候无须通知即可改变产品特性、包装或产品可供类型的权利。
- 安装说明包括重要的安装、清洁及保养方面的内容，请把这些资料交给用户阅读。

B. 安装人员危险警告



警告!! 避免人员受伤。
铸铁浴缸非常重，在安装时一定要穿戴合适的安全装备。

产品要求

A. 关键要求的总结

- 请遵守当地的管道施工规范。
- 在水平未装修的地面上安装浴缸。
- 提供适当的空间以安装浴缸。
- 确保地面排水的位置正好对准浴缸的出水口。
- 确保安装地面为您的浴缸提供足够的支撑。
- 这本说明书用于独立式和嵌入式浴缸的安装。只需遵守适用于您特定安装的说明即可。



谨慎：存在产品或财产受损的危险。不要用浴缸边缘支撑浴缸。

B. 产品检查

小心地打开包装箱并检查浴缸是否损坏。施工期间将所有的材料都留在箱内，以防止损坏。

安装要求

A. 所需工具及材料(不随货供应)

- 防护眼镜
- 卷尺
- 铅笔
- 水平尺
- 一字螺丝刀
- 十字螺丝刀
- 老虎钳
- 密封胶
- 直尺
- 美工刀
- 木工常用工具和材料
- 罩单 2x4英尺或2x6英尺
- 防水墙面材料
- 金属薄垫片
- 7/16英寸棘齿或两用扳手
- 抹布

B. 预留尺寸

检查产品尺寸及浴室尺寸，确保有充分的空间安装浴缸。

安装现场要求

A. 拆除旧浴缸(如有必要)

B. 地面准备

检查浴缸下的地面，若需要请进行修补。请确保地面水平。

C. 管道的准备

将管道按安装尺寸安置。堵塞供水管并检查是否漏水。

D. 独立式浴缸安装

完成墙壁和地面装饰。

嵌入式浴缸安装

安装浴缸之前

A. 必须遵守下列具体安装要求，以避免引起对搪瓷表面任何潜在的损坏。

⚠ 警告!! 如果不按照厂家要求的安装方法执行，将会造成搪瓷表面的损坏。

- 在搬运浴缸时，特别是在浴缸边缘附近，切勿使用尖锐的物体或工具。
- 在浴缸边缘及底部盖一层透明塑料布，以防止在安装过程中，污垢及硅胶粘贴在浴缸上。
- 正确的安装方法，应该使浴缸边缘不要与墙壁或水平表面直接接触，以防止传播噪音和振动，并避免引起搪瓷表面可能的破裂。
- 浴缸边缘与墙壁之间必须在水平方向至少留有2毫米的间隙，在垂直方向至少留有4毫米的间隙。请参考以上图1、图2、和图3。
- 放置浴缸前，在与浴缸边缘相接触的所有表面，涂抹一层高质量的卫生硅胶填料。
- 将浴缸安置在正确的位置上。

B. 局部安装浴缸的排水配件

按照厂家说明书，把排水配件部分安装在浴缸上。

单位：毫米

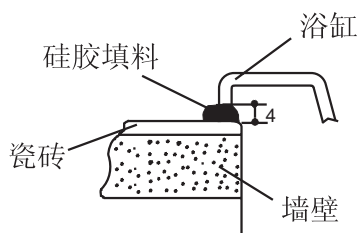


图1

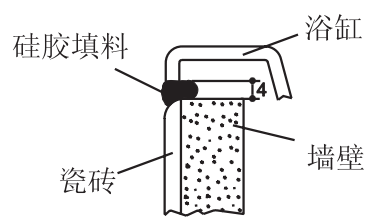


图2

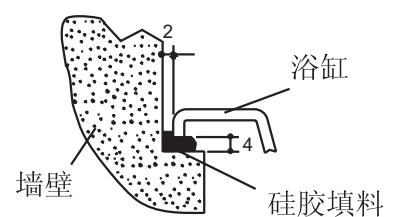


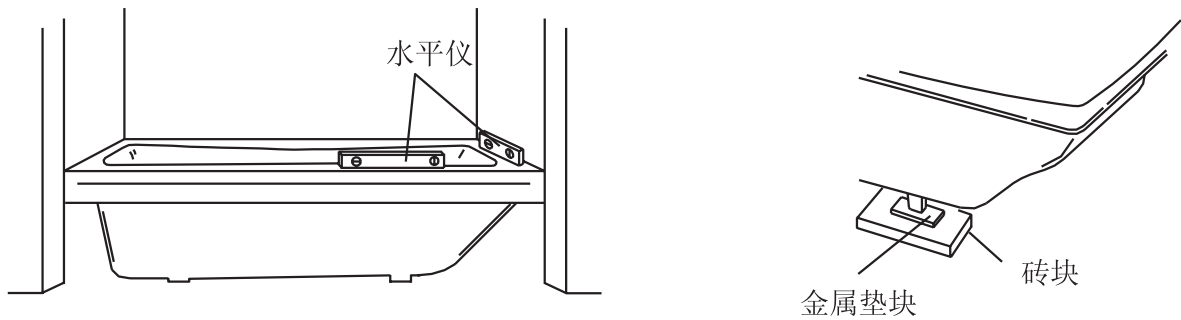
图3

安装浴缸

A1. 浴缸高度可调节的安装方式

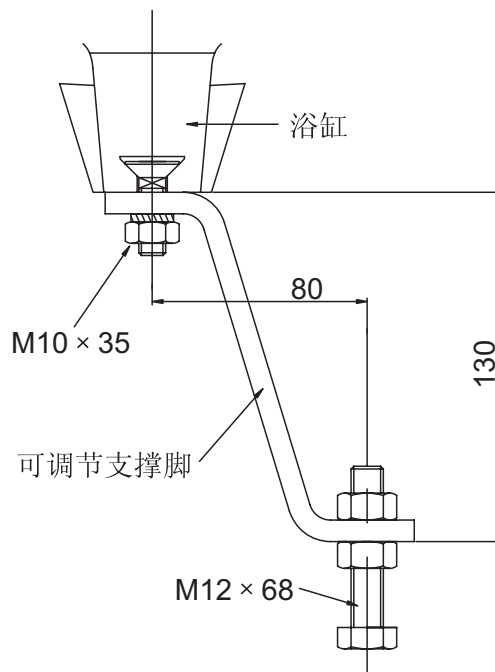
将新浴缸放置在安装位置。

如果有必要，将金属垫块和砖块垫在浴缸支角下以获得合适的高度并保持浴缸水平。注意：必须使用金属垫块，以防止砖块破裂。用水平仪沿浴缸的长短边缘测试。确保浴缸水平放置，并且所有的重量都均匀地承载在浴缸底脚上。如果靠墙的浴缸底脚难以垫到，则需要将浴缸搬出或搬进几次，直到垫好为止。也可使用可调整脚。



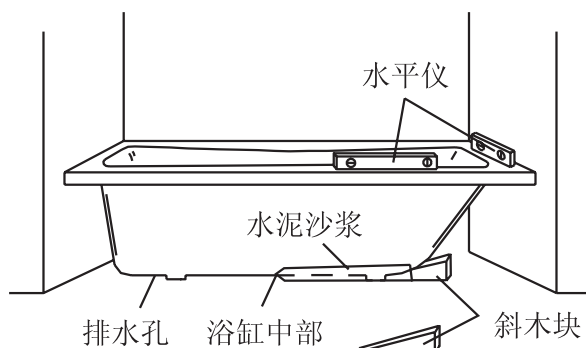
安装可调整浴缸脚——仅用于嵌入式浴缸安装

- 安装时，浴缸脚或存水弯不可与地面摩擦，否则可能破坏搪瓷面。
- 浴缸配备了可调浴缸脚使浴缸与地面保持合适的高度。下见图。
不要在浴缸脚和地面间涂密封剂。
- 确保浴缸水平放置，并且所有重量都均匀地承载在支脚上。



A2. 排水管通过地面的浴缸安装方式

将新浴缸放置在安装位置以了解排水孔和浴缸底脚的位置。在地面合适的位置为排水管开出一个152 × 305mm的长方孔。



用25~30公斤的干水泥及砂，加水调成稠水泥沙浆。将浴缸移出，用水泥沙浆从浴缸中部覆盖至无排水口一端的安装区域，如图所示，水泥沙浆的高度应能与浴缸的底面接触。

注意：避免将排水口堵塞。

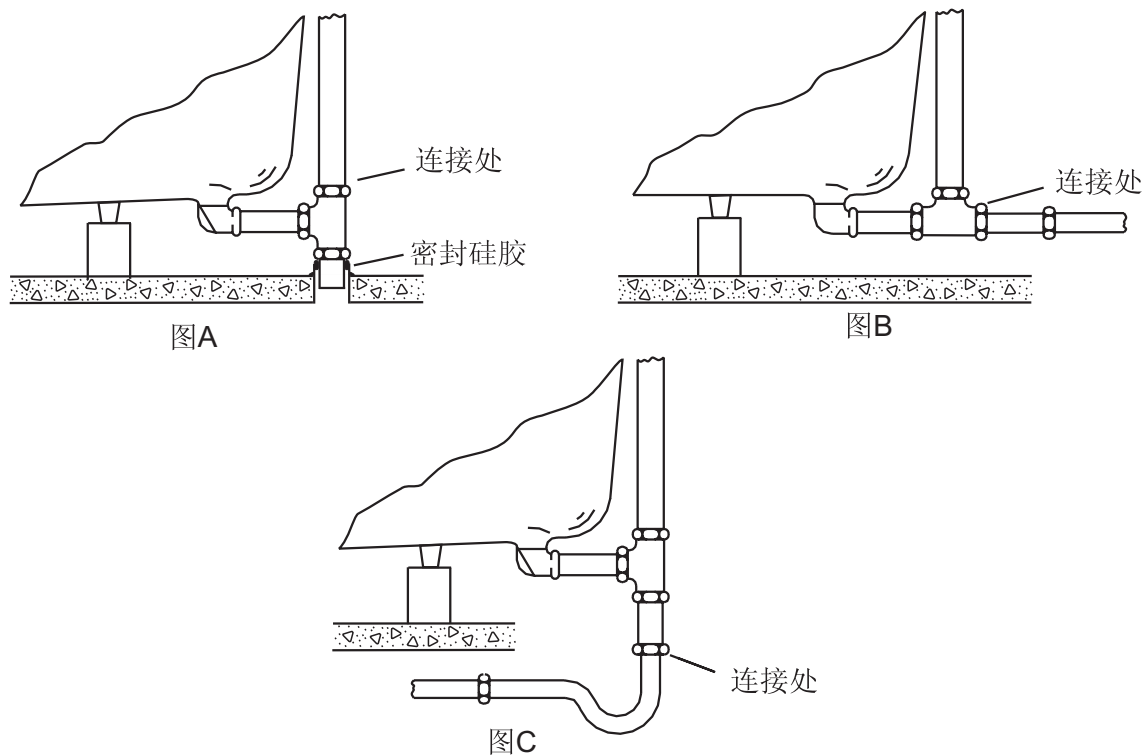
将浴缸放置在预先测好的位置。

将浴缸底部紧压在水泥沙浆上以固定浴缸。在浴缸底部插入两个斜木块来支撑浴缸。水泥沙浆干涸后，斜木块还应留存其内。装置时，请随时用水平仪校正浴缸的水平度，使浴缸保持水平。

B. 安装卫生管道

 注意：避免损坏浴缸底部和地面。浴缸的所有排水接口都要确保做防渗处理。

- 1). 当浴缸固定到位后，将排水管与存水弯相接，如图A、B、C。
- 2). 安装水龙头及配件。打开冷水及热水阀门，检查所有给水管接头是否有渗漏。
- 3). 让水流入浴缸，检查排水配件接头是否有渗漏。



C. 完成浴缸的支架结构

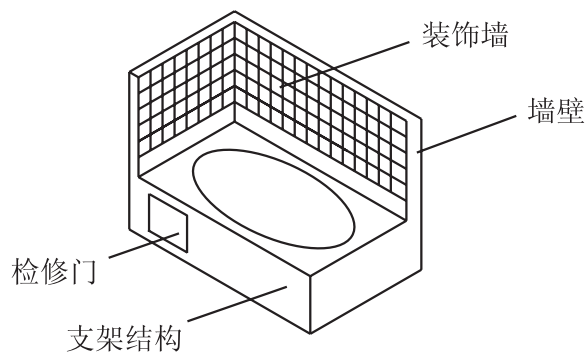
注意：为方便以后维修，必须安装一个检修门，检修门在浴缸排水配件一侧。

下图所示为几种常用的支架结构，请采用适合您的浴缸型号的结构。对不同的支架结构方式，也许有必要进行适度调整。

下列建议适合为无裙边浴缸使用

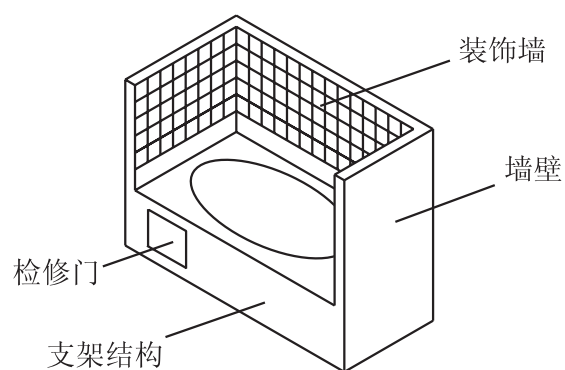
1). 墙角安装

右图为建议的支架结构。



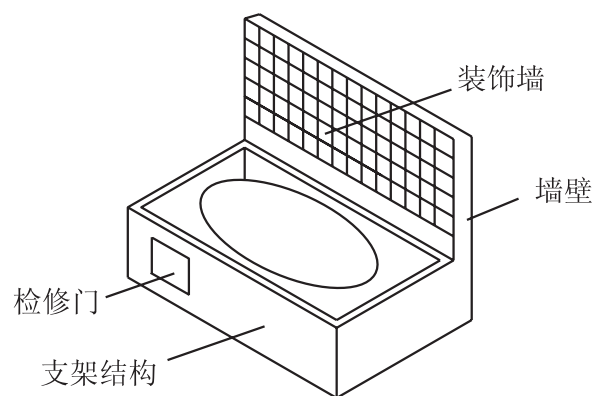
2). 三面靠墙安装

建议的三面墙环围的支架结构如图所示。



3). 单面靠墙安装

建议的单面墙支架结构如图所示。



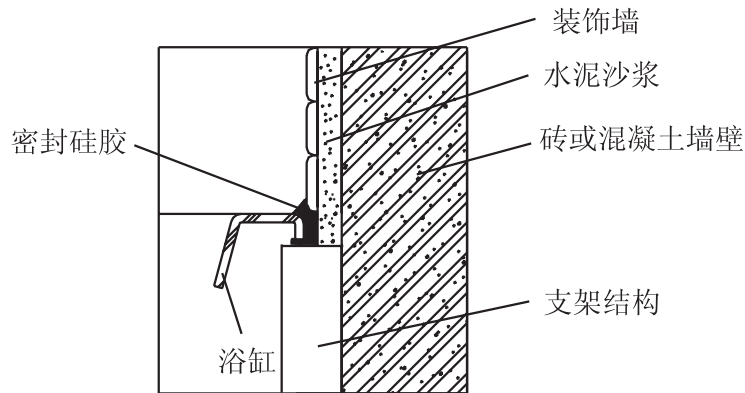
D. 安装浴缸扶手(如带扶手孔)

按照厂家说明书，把扶手安装在浴缸上。

完成墙壁和地面装饰

⚠ 注意!! 当心损坏浴缸! 不要靠浴缸边缘支撑浴缸的重量。

安装墙壁贴面(如瓷砖或大理石贴面)。用硅胶密封浴缸边缘和贴面的连接处。建议使用常温下硬化的密封胶。



独立式浴缸安装

局部安装浴缸的排水配件

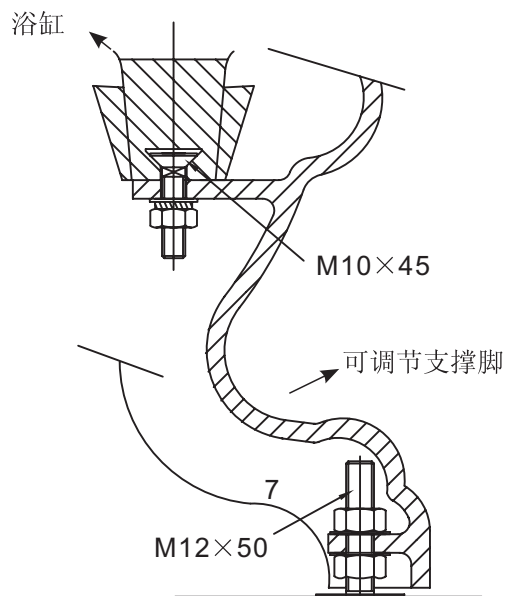
按照厂家说明书, 把排水配件部分安装在浴缸上。

⚠ 谨慎: 存在人员受伤的危险。铸铁浴缸极其沉重。需要获得足够的人力, 小心地抬升或搬动浴缸。

- 至少需要四个人, 将浴缸小心地放在所需的位置。

安装可调浴缸脚——仅用于独立式浴缸安装

- 安装时, 浴缸脚或落水孔不可与地面摩擦, 否则可能破坏搪瓷面。
- 所有的浴缸均配备了可调浴缸脚使浴缸与地面保持合适的高度。对比价目表上的尺寸图, 调节范围为正负10mm。不要在浴缸脚和地面间涂密封剂。
- 确保浴缸水平放置, 并且所有重量都均匀地承载在支脚上。



完工清理

在安装完成后进行清理时，请勿使用磨损性的清洁用具，以免擦伤浴缸表面，使其失去光泽。使用温水和非磨损性的液体清洁剂，清洗浴缸表面。

难以清除的污迹、油漆、或柏油，可用松节油或油漆稀释剂擦净。请不要让含有汽油溶解物的清洁剂和浴缸长时接触。滞留水泥可用薄木刀刮掉。请不要使用金属刮刀，钢丝刷，或其它金属工具，对残留的灰泥，可用湿布粘些洗衣粉，以提供轻微的研磨作用。

重要的用户资料

浴缸的Safeguard防滑表面达到或超过ASME/ANSI A112.19.1M对防滑表面的要求。

危险！！ 不适当的维护或清洁剂的使用可导致科勒浴缸的防滑表面永久失去。

注意：所有的清洁和维修人员都应当进行正确清洗科勒浴缸的培训。请将此注意事项的复印件张贴在显著的位置。

请勿 使用钢丝绒，钢丝刷，金属刮刀或有磨损性的海绵垫清洗科勒浴缸。
请勿 在防滑表面上使用抛光仪器。
请勿 使用强碱或强酸性的清洁剂。
请勿 使用磨损性的清洁剂。

- 请使用没有磨损性的清洁剂和软尼龙刷清洗浴缸的防滑表面。
- 请使用pH值3和8之间的清洁剂(若要使用商业用清洁剂时)。
- 请仔细按照清洁剂生产厂家的说明书进行清洗。