

8452T 浴缸出水口

安装之前

所有的资料是按最新出版的产品资料编写而成。科勒公司保留任何时候不经通知即可改变产品特性、包装或产品可供类型的权利。

说明书包括重要的安装、保养及清洁方面的内容，请把这些资料交给用户阅读。

注意事项：

1. 一定要先彻底冲洗供水管以清除管道中的杂质。
2. 切断供水管路。
3. 遵守所有当地管路安装及建筑条例。

BEFORE YOU BEGIN

All information is based on the latest product information available at the time of publication. Kohler Co. reserves the right to make changes in product characteristics, packaging, or availability at any time without notice.

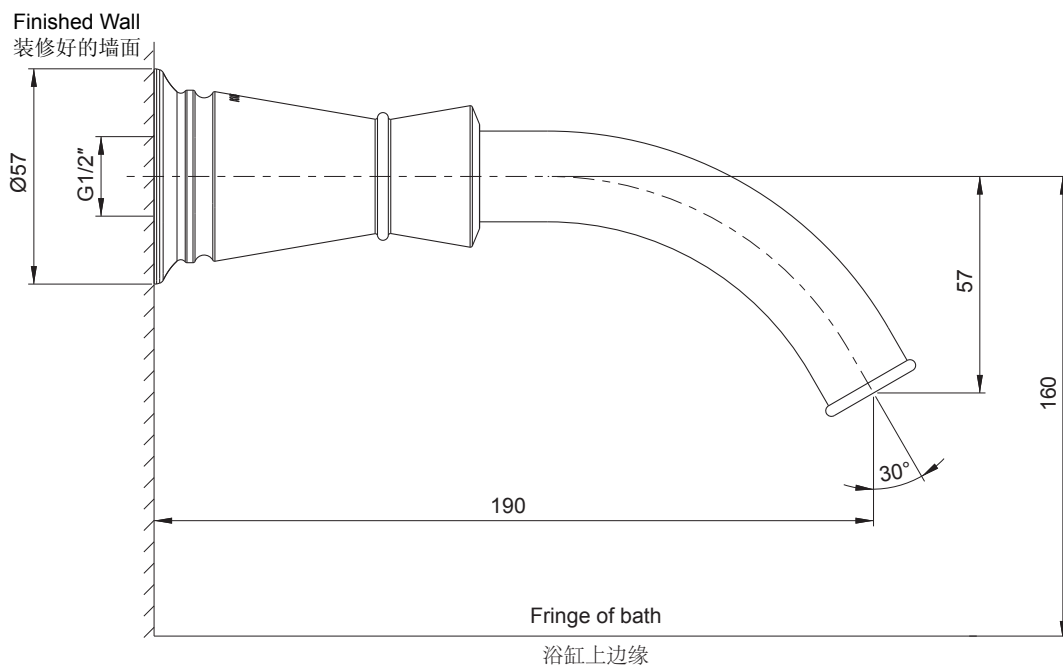
Please leave these instructions for the consumer. They contain important information.

NOTE:

1. Flush the water supply pipes thoroughly to remove debris.
2. Shut off the water supplies to the fitting.
3. Observe all local plumbing and building codes.

安装尺寸

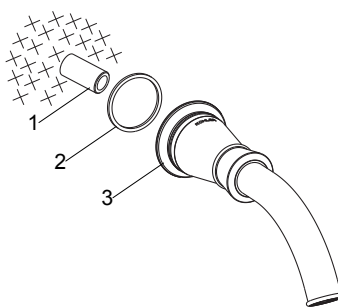
ROUGH-IN DIMENSIONS



安装步骤

在G1/2"外螺纹接管(1, 客户自备)的两端螺纹上缠绕足以密封的密封胶带或涂适合的密封胶。安装G1/2"外螺纹接管, 使其伸出墙面的长度在10~20mm之间。

将垫片(2)粘贴在出水口(3)底部。用带状扳手将出水口旋紧到G1/2"外螺纹接管上, 调整出水口方向, 使其向下。



INSTALLATION

Apply tape or thread sealant to G1/2" nipple(1, not provided) threads. Install the G1/2" nipple to the bath pipe so it extends 10~20mm beyond the finished wall.

Stick the washer(2) onto the bottom of the spout(3). Install the spout(2) onto the G1/2" nipple with a strap, and adjust the spout downwards.

安装结果检查

检查并确保所有衔接处都已拧紧。

打开排水系统和主水源, 检查并修理有漏水的接口。

拆下整流器。用冷热水冲洗出水口约一分钟以清除杂质。冲洗整流器。关闭水源, 重新装回整流器。

INSTALLATION CHECKOUT

Ensure that all connections are tightened.

Open the drain. Turn on the main water supply and check for leaks. Repair as required.

Remove the stream. Run the hot and cold water through the spout for about one minute to remove any debris. Remove debris from the stream. Shut off water supply and reinstall the stream.

清洗说明

适用于所有加工处理过的表面: 以中性肥皂水清洗镀层表面, 再以干净的软布彻底擦干整个表面, 许多清洁剂, 比如氨水、去污粉及洁厕灵等, 会对电镀表面造成伤害, 切忌使用。

有磨损性的清洁用具或清洁剂也不可适用于科勒牌的水龙头及其配件上。

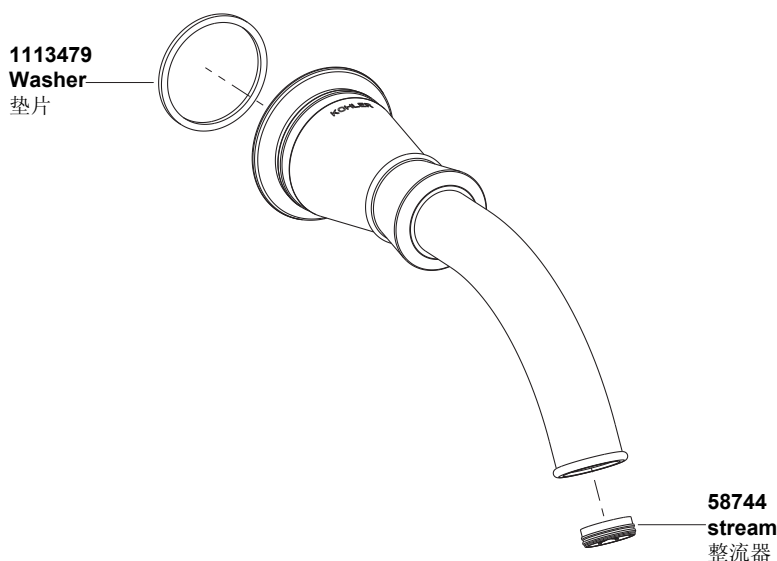
CLEANING INSTRUCTIONS

All Finishes: Clean the finish with mild soap and warm water. Wipe entire surface completely dry with clean soft cloth. Many cleaners may contain chemicals, such as ammonia, chlorine, toilet cleaner etc, which could adversely affect the finish and are not recommended for cleaning.

Do not use abrasive cleaners or solvents on Kohler faucets and fittings.

服务零件

SERVICE PARTS



**订购时请说明颜色编号

**Color code must be specified when ordering