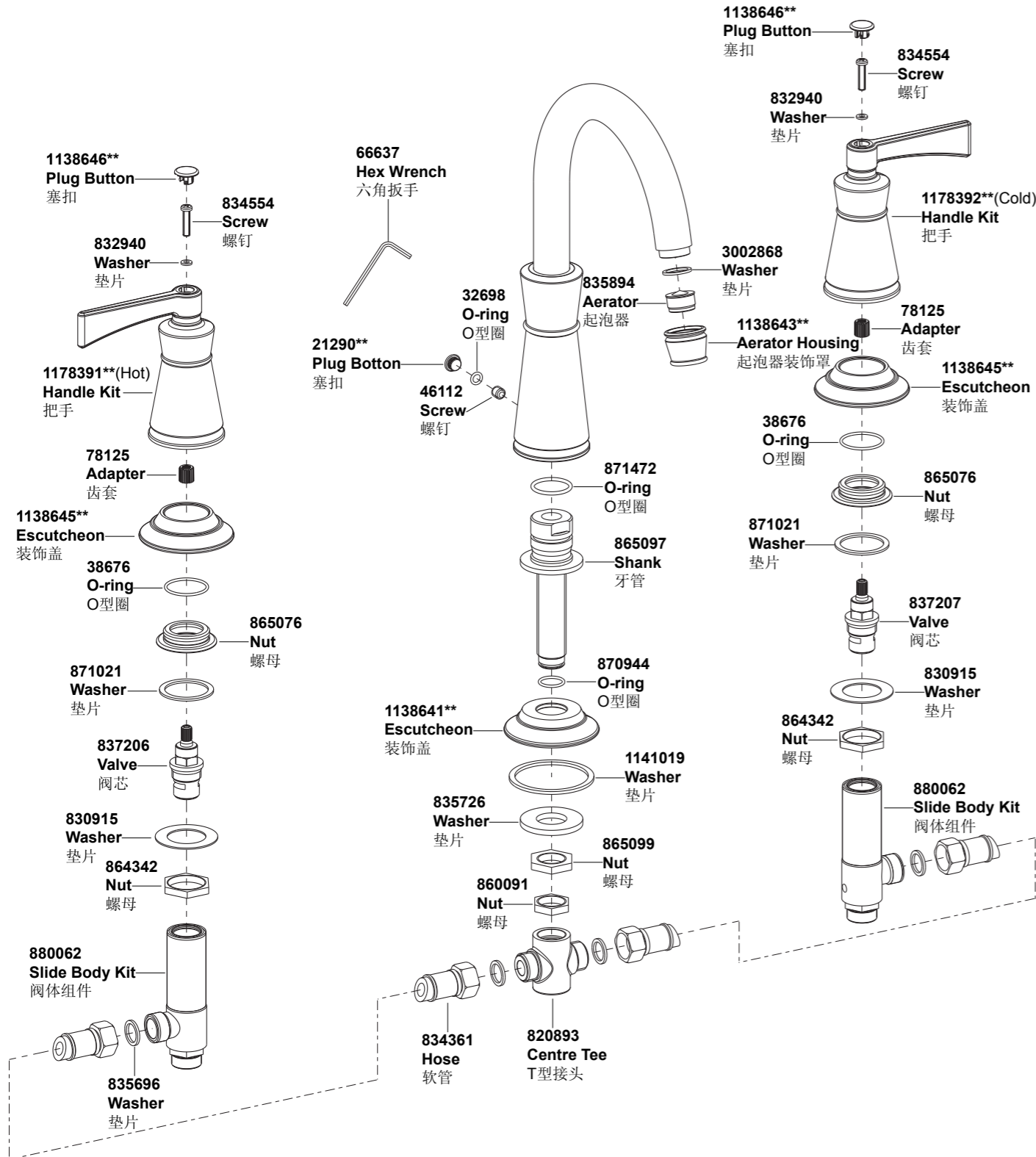


7501T-4 缸边(台面)式浴缸龙头



**订购时请说明颜色编号
**Color code must be specified when ordering

7501T-4 缸边(台面)式浴缸龙头

安装之前

所有的资料是按最新出版的产品资料编写而成。科勒公司保留任何时候不经通知即可改变产品特性、包装或产品可供类型的权利。

说明书包括重要的安装、保养及清洁方面的内容，请把这些资料交给用户阅读。

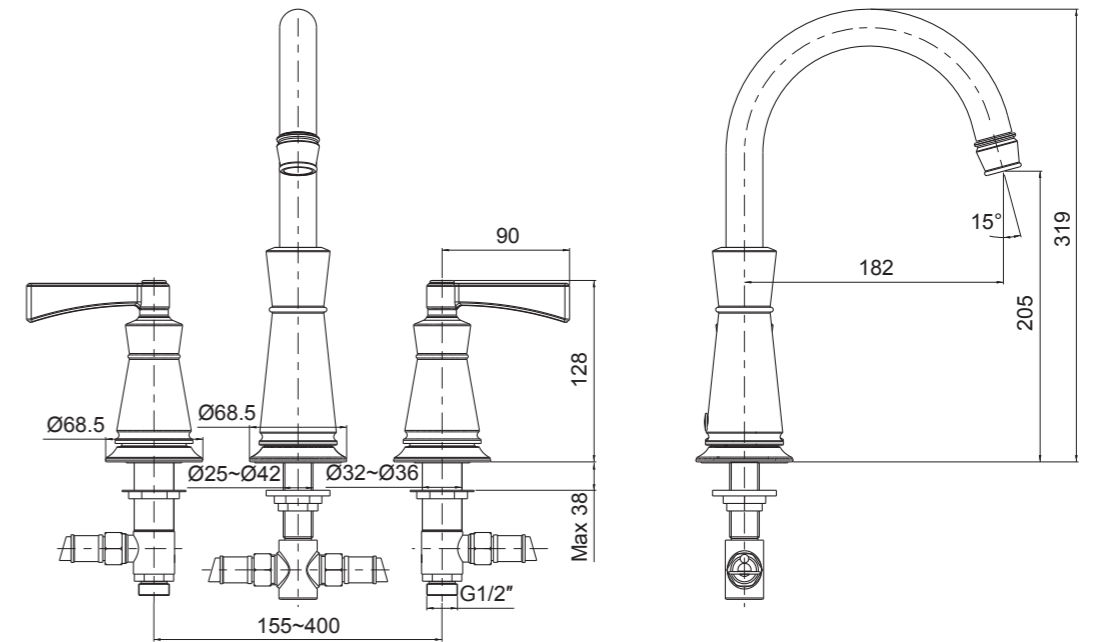
注意事项：

1. 一定要先彻底冲洗供水管以清除管道中的杂质。
2. 尽可能在安装浴缸之前安装水龙头。
3. 检查供水管有无损坏和漏水。如需要，进行替换和维修。
4. 遵守当地管路安装条例。
5. 切断供水管路。

使用说明

顺时针旋转右把手为开，逆时针旋转左把手为开。

安装尺寸



BEFORE YOU BEGIN

All information is based on the latest product information available at the time of publication. Kohler Co. reserves the right to make changes in product characteristics, packaging, or availability at any time without notice.

Please leave these instructions for the consumer. They contain important information.

NOTES:

1. Flush the water supply pipes thoroughly to remove debris.
2. If possible, install this faucet before installing the bath tub.
3. Inspect the supply tubing for damage and leakage. Replace and maintain as necessary.
4. Observe local plumbing codes.
5. Shut off the water supplies to the fitting.

HANDLE OPERATION

Right handle opens with turning clockwise. Left handle opens with turning anticlockwise.

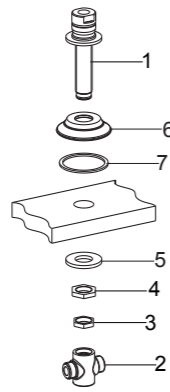
ROUGH-IN DIMENSIONS

安装步骤

INSTALLATION

如何安装出水口

从牙管(1)上依次取下T型接头(2)、螺母(3)、螺母(4)和垫片(5)。将装饰盖(6)安装到牙管底部。将橡胶垫片(7)装到装饰盖底部凹槽,然后将牙管插入浴缸中孔内。



How To Install The Spout

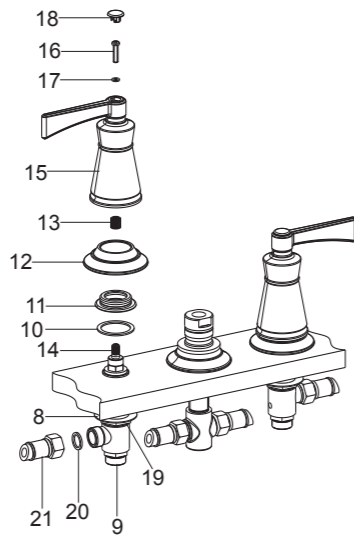
Remove the center tee(2), the nut(3), the nut(4) and the steel washer(5) from the shank(1). Slide the escutcheon(6) onto the bottom of the shank. Slide the rubber washer(7) into the bottom groove of the escutcheon. Then fit the shank into the center hole of bath.

From underside of the bath, install the steel washer(5), the nut(4) and the nut(3). Wrench to tighten the but(4), then tighten the nut(3). Thread the centre tee to the shank until hand-tight.

从浴缸下方安装垫片(5)、螺母(4)和螺母(3),上下同时用力拧紧螺母(4),然后拧紧螺母(3)。将T型接头旋到牙管上,直至用手旋紧。

如何安装阀体和把手

将金属垫片(8)装到阀体组件(9)上。从面盆下方,将阀体组件穿过安装孔(注:面向龙头时,贴有红圆的阀体组件装在左侧,且安装之前阀芯处于关闭状态)。



将橡胶垫片(10)和带O型圈的螺母(11)装到每个阀体组件上。将装饰盖(12)旋紧到螺母(11)上。将齿套(13)按在阀轴(14)上,然后将把手(15)按在齿套上。用螺钉(16)带垫片(17)固定把手。将塞扣(18)塞入把手顶部的孔中。用扳手将螺母(19)锁紧。

How to Install The Side Bodies And The Handles

Install the metal washer(8) onto each side body(9). Insert side bodies through mounting holes from bottom of the lavatory (NOTE: The valve body with red dot should be installed on the left when facing the front of the faucet, and the valves are in the closed position before installing them.).

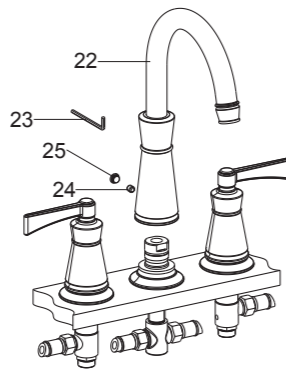
Install the rubber washer(10) and the nut(11) with o-ring onto each side body. Thread the escutcheon(12) onto the nut(11). Press the stem(13) onto each valve stem (14), then press the handle(15) onto each stem. Secure the handles by the screws(16) with the washers(17). Press the plug(18) into the hole on the top of each handle. Wrench tighten the nuts(19).

将垫片(20)放入软管(21)两端螺母内,一端与阀体组件出水口相连,另一端与T型接头相连。

Put the washers(20) into the nuts of each hose(21). The end connect to the outlet of side body, and the other end connect to the center tee.

如何安装出水口

将出水口组件(22)套在牙管上。调整出水口方向使其朝向正前方。用六角扳手(23)锁紧螺母(24),然后将塞扣(25)塞入螺钉孔。



How to Install The Spout

Slide the spout kit(22) onto the shank. Adjust the spout kit so that it points to the front. Tighten the screw(24) with the hex wrench(23), then press the plug button kit(25) into the rear hole.

安装结果检查

INSTALLATION CHECKOUT

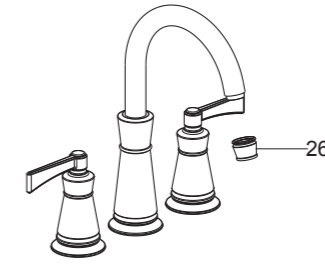
检查并确保所有的衔接螺母都已拧紧,确保把手在关的位置。

Ensure that all connections are tight. Ensure that the handle is in the off position.

打开排水器和主要供水源,检查并修理有漏水的接口。

Turn on the drain and main water supply, and check for leaks. Repair as needed.

拆下起泡器组件(26)。打开水龙头的冷热水,让水流出约一分钟以清除杂质,检查渗漏。冲洗起泡器组件,关闭水龙头,重新装回起泡器组件。



Remove the aerator kit(26). Turn on the faucet. Run hot and cold water through the faucet for about one minute to remove any debris. Check for leaks. Repair as needed. Remove any debris from the aerator kit. Shut off the faucet. Reinstall the aerator kit.

清洗说明

CLEANING INSTRUCTIONS

适用于所有加工处理过的表面:以中性肥皂水清洗镀层表面,再以干净的软布彻底擦干整个表面,许多清洁剂,比如氨水、去污粉及洁厕灵等,会对电镀表面造成伤害,切忌使用。

All Finishes: Clean the finish with mild soap and warm water. Wipe entire surface completely dry with clean soft cloth. Many cleaners may contain chemicals, such as ammonia, chlorine, toilet cleaner etc, which could adversely affect the finish and are not recommended for cleaning.

有磨损性的清洁用具或清洁剂也不可适用于科勒牌的水龙头及其配件上。

Do not use abrasive cleaners or solvents on Kohler faucets and fittings.