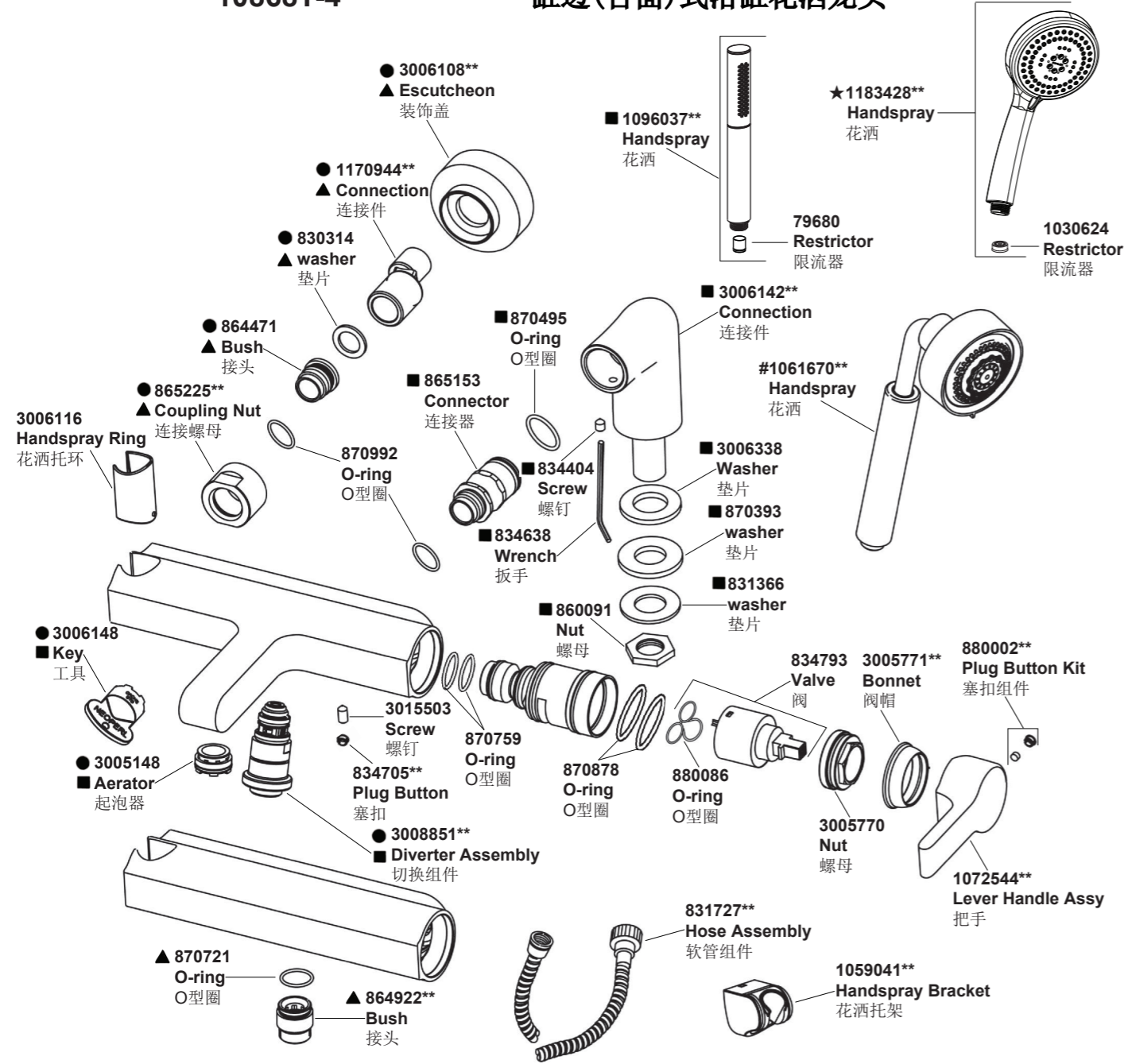


10869T-4 72669T-4 挂墙式花洒龙头
10867T-4 72667T-4 挂墙式浴缸花洒龙头
10868T-4 缸边(台面)式浴缸花洒龙头



注: 1. 描述中有“●”的零件仅用于10867T-4 & 72667T-4。
2. 描述中有“■”的零件仅用于10868T-4。
3. 描述中有“▲”的零件仅用于10869T-4 & 72669T-4。
4. 描述中有“#”的零件仅用于10867T-4 & 10869T-4
5. 描述中有“★”的零件仅用于72667T-4 & 72669T-4。

**订购时请说明颜色编号
**Color code must be specified when ordering

10869T-4 72669T-4 挂墙式花洒龙头
10867T-4 72667T-4 挂墙式浴缸花洒龙头
10868T-4 缸边(台面)式浴缸花洒龙头

安装之前

所有的资料是按最新出版的产品资料编写而成。科勒公司保留任何时候不经通知即可改变产品特性、包装或产品可供类型的权利。

说明书包括重要的安装、保养及清洁方面的内容, 请把这些资料交给用户阅读。

注意事项:

1. 一定要先彻底冲洗供水管以清楚管道中的杂质。
2. 切换器正常工作的最小压力为0.05MPa(0.5bar)。
3. 花洒最高工作压力: 0.5MPa(5bar)。水压超过0.5MPa(5bar)须安装减压阀。花洒最高工作温度及环境温度: 60°C。请特别注意花洒同花洒连接的臂管须远离浴霸, 否则可能损坏花洒及其密封件, 甚至对使用者造成伤害。

使用说明

将手柄轻轻提起, 向上转为热水, 向下转为冷水。

安装尺寸

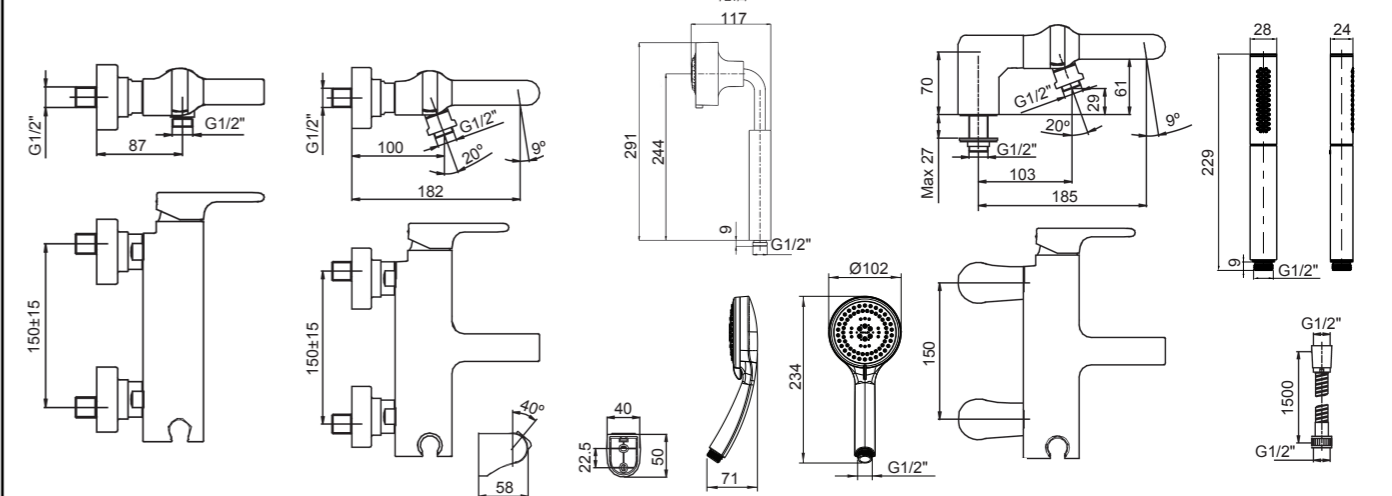
10869T-4/72669T-4

10867T-4/72667T-4

handspray 花洒

10868T-4

Stick handspray 杆型花洒



BEFORE YOU BEGIN

All information is based on the latest product information available at the time of publication. Kohler Co. reserves the right to make changes in product characteristics, packaging, or availability at any time without notice.

Please leave these instructions for the consumer. They contain important information.

NOTES:

1. Flush the water supply pipes thoroughly to remove debris.
2. The minimum inlet water pressure for the diverter is 0.05MPa(0.5bar).
3. The highest working pressure for handspray is 0.5MPa(5 bar). If it exceeds 0.5MPa(5 bar), a pressure reducer is needed. The highest water and environment temperature is 60°C. Please keep handspray, showerhead and the shower arm away from heater, or it may become damaged and cause injury to the user.

HANDLE OPERATION

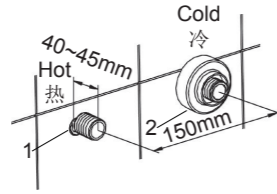
Lift the handle gently. Turn upwards for hot water, turn downwards for cold water.

ROUGH-IN DIMENSIONS

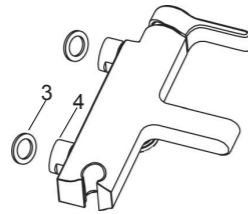
安装说明

安装水龙头(除10868T-4外)

在两个接头(1)涂上螺纹密封膏或缠绕密封胶带, 然后旋入冷热供水管中。



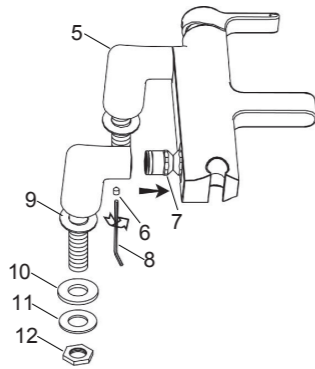
调节两个接头, 使其中心距离为150mm并保持同一水平。他们凸出墙面的尺寸应该在40到45mm之间。将装饰罩(2)旋入接头, 紧贴装修后的墙壁。



将垫片(3)放入螺母(4)中, 把螺母旋到接头(1)上, 用带状扳手锁紧。

安装10868T-4

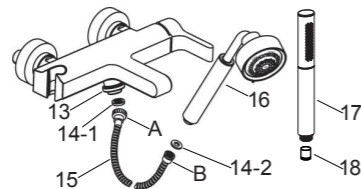
将缸边连接座(5)安装到连接件(7)上, 调整好位置如图所示。用扳手(8)将固定螺钉(6)拧进缸边连接件的固定孔中并锁紧。将垫片(9)装入缸边连接座的沟槽中, 然后将龙头缸边连接座的下部装入浴缸安装孔中, 从下方将垫片(10)(11)、螺母(12)旋到缸边连接座的牙管上。拧紧螺母(12)。



如何安装花洒

注意: 对于10867T-4, 72667T-4和10868T-4, 需要先去掉接头保护套。

将垫片(14-1, 厚3mm)装入软管(15)的A端, 然后与出水口(13)连接。对于10869T-4, 72669T-4, 10867T-4 & 72667T-4, 将垫片(14-2, 厚5mm)装入软管的B端, 花洒连接。对于10868T-4, 将垫片(14-2, 厚3mm)装入软管B端, 将限流器(18)装入花洒(17)进水口, 然后将B端与花洒连接。



INSTALLATION

Install Faucet (Except for 10868T-4)

Install the two offset connectors(1) into the hot and cold supply pipes. Use appropriate thread sealants or thread tape on pipe threads.

Adjust the center-to-center distance between the connectors to 150mm and level. They should extend 40 to 45mm from finished wall. Thread the escutcheons(2) onto the connectors until they contact the finished wall.

Put the washers(3) into the nuts(4). Thread the nuts onto the connectors(1) and tighten by wrench.

Install 10868T-4

Install the deck-mount connection(5) onto the connector(7) and adjust the position as shown. Put the fixing screw (6) into the hole of the connection and tighten with the wrench(8). Put the washer(9) into the groove of the deck-mount connection, and then install the connections into the hole of the bath tub. Thread the washer(10) (11), nut(12) onto the shank of the connection from the underside of the bath tub. Tighten the nut(12).

How To Install The Handspray

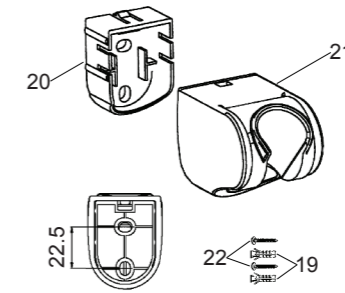
NOTES: For 10867T-4, 72667T-4 and 10868T-4, remove the guard on the outlet connector firstly.

Put the washer(14-1, thickness 3mm) into end A of the hose(15), and then connect to the faucet outlet(13). For 10869T-4, 72669T-4, 10867T-4 & 72667T-4, put the washer (14-2, thickness 5mm) into end B of the hose, then connect end B of the hose to the handspray inlet. For 10868T-4, put the washer(14-2, thickness 3mm) into end B of the hose, and install the restrictor (18-2) into the handspray(17) inlet, then connect end B of the hose to the handspray inlet.

如何安装托架

在墙面选一合适的位置来安装托架。

根据孔距在墙面标记位置, 依据胀塞(19)直径打孔, 安装胀塞。旋紧螺钉(22), 使底座(20, 平面朝上)固定紧贴墙壁。将托架(21)扣在底座上, 使凸台嵌入豁口。把花洒挂在托架上。



安装结果检查

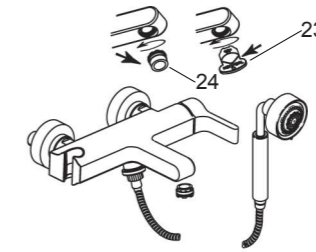
检查并确保所有的衔接处都已拧紧。

确保手柄在“关”的位置。

打开排水系统和主要供水源, 检查并修理有漏水的接口。

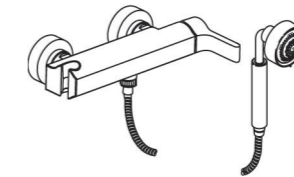
对于10867T-4, 72667T-4 & 10868T-4 浴缸花洒龙头:

取下花洒并用附带的工具(23)取下起泡器组件(24)。打开冷热水, 让水流出约一分钟以清除杂质。检查渗漏。清洗起泡器。关闭水龙头, 并装回起泡器组件和花洒。



对于10869T-4 & 72669T-4 花洒龙头:

取下花洒。打开冷热水, 让水流出约一分钟以清除杂质。检查渗漏。关闭水龙头, 并装回花洒。



清洗说明

适用于所有加工处理过的表面: 以中性肥皂水清洗镀层表面, 再以干净的软布彻底擦干整个表面, 许多清洁剂, 比如氨水、去污粉及洁厕灵等, 会对电镀表面造成伤害, 切忌使用。

有磨损性的清洁用具或清洁剂也不可适用于科勒牌的水龙头及其配件上。

How To Install The Bracket

Determine a suitable location on the finished wall to install the bracket.

Mark bracket base mounting hole locations on the wall according to the dimension. Drill two holes in the finished wall, the holes should match the anchors(19). Install the anchors. Tighten screws(22) to secure bracket base(20) to the finished wall. Put the bracket(21) onto the bracket base and lock by stopper. Hang the handspray on the shower bracket.

INSTALLATION CHECKOUT

Ensure that all coupling nuts are tight.

Ensure that the handle is in the off position.

Turn on the main water supply, and check for leaks. Repair as needed.

For 10867T-4, 72667T-4 & 10868T-4 Bath & Shower Faucet:

Remove the handspray. Remove the aerator(24) by key(23). Run hot and cold water through the faucet for about one minute to remove any debris. Check for leaks. Remove any debris from the aerator assembly. Shut the faucet off, and reinstall the aerator assembly and handspray.

For 10869T-4 & 72669T-4 Shower Faucet:

Remove the handspray. Run hot and cold water through the faucet for about one minute to remove any debris. Check for leaks. Shut the faucet off, and reinstall the handspray.

CLEANING INSTRUCTIONS

All Finishes: Clean the finish with a mild soap and warm water. Wipe entire surface completely dry with clean soft cloth. Many cleaners may contain chemicals, such as ammonia, chlorine, toilet cleaner etc. which could adversely affect the finish and are not recommended for cleaning.

Do not use abrasive cleaners or solvents on Kohler faucets and fittings.