

# KOHLER®

## INSTALLATION INSTRUCTIONS

### 安装说明书

萝瑞  
**LOURE**  
Shower Arm

#### 45527T 墙装式花洒臂

#### 安装之前

所有的资料是按最新出版的产品资料编写而成。科勒公司保留任何时候不经通知即可改变产品特性、包装或产品可供类型的权利。

说明书包括重要的安装、保养及清洁方面的内容，请把这些资料交给用户阅读。

#### 注意事项：

1. 切断供水管路。
2. 遵守所有当地管路安装及建筑条例。

#### BEFORE YOU BEGIN

All information is based on the latest product information available at the time of publication. Kohler Co. reserves the right to make changes in product characteristics, packaging, or availability at any time without notice.

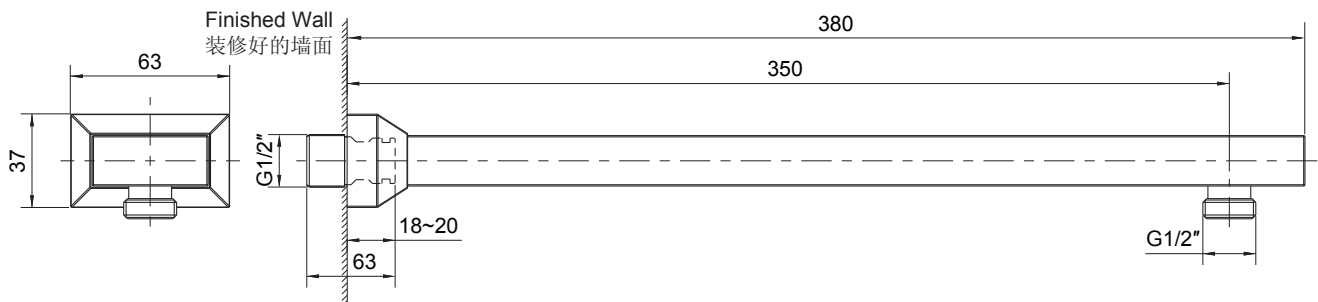
Please leave these instructions for the consumer. They contain important information.

#### NOTES:

1. Shut off the water supplies to the fitting.
2. Observe all local plumbing and building codes.

#### 安装尺寸

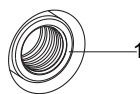
#### ROUGH-IN DIMENSIONS



#### 安装步骤

为使安装顺利，G1/2"内螺纹管道配件(1)应已装好。

**注意：**管道配件要垂直并不能突出装修好的墙面，但低于墙面不能超过9mm。

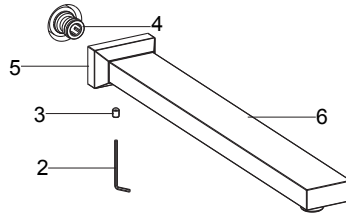


#### INSTALLATION

To perform installation, installer must provide G1/2" female supply fitting(1).

**NOTE:** The supply fitting should be not beyond, but below the finished wall less than 9mm, and be vertical with finished wall as well.

用六角扳手(2)旋松螺钉(3)，取下接头(4)。在接头的G1/2"外螺纹上缠绕足以密封的密封胶带或涂适合的密封胶，用10mm六角扳手(客户自备)将接头旋紧到G1/2"内螺纹管道配件上。在装饰盖(5)背面涂一圈油灰。将花洒臂(6)装在接头上，至其紧贴墙面且使螺钉孔铅垂朝下。用六角扳手(2)锁紧螺钉，固定花洒臂。去除多余油灰。



Loosen the screw(3) with the hex wrench(2), and remove the connector(4). Apply tape or thread sealant to the G1/2" threads of the connector, tighten the connector to the G1/2" female supply fitting with a 10mm hex wrench(not provided). Apply a ring of plumbers putty around the back surface of the escutcheon(5). Install the shower arm(6) onto the connector so that the escutcheon is against the finished wall, and keep the screw hole downwards. Tighten the screw with the hex wrench(2) to secure the shower arm. Remove any excess putty.

打开水源，冲水约为一分钟以清除杂质。

Flush both water supplies through the shower arm for one minute to remove debris.

## 清洗说明

## CLEANING INSTRUCTIONS

适用于所有加工处理过的表面：以中性肥皂水清洗镀层表面，再以干净的软布彻底擦干整个表面，许多清洁剂，比如氨水、去污粉及洁厕灵等，会对电镀表面造成伤害，切忌使用。

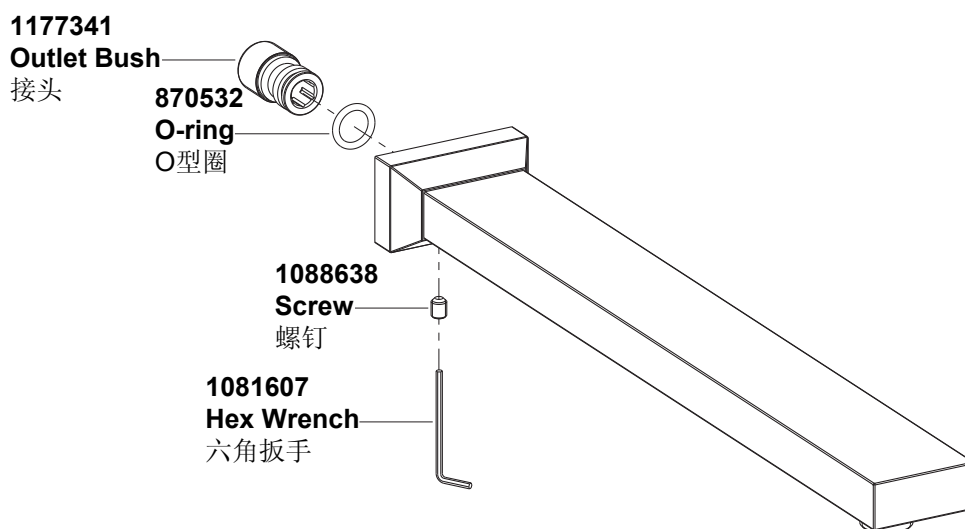
All Finishes: Clean the finish with mild soap and warm water. Wipe entire surface completely dry with clean soft cloth. Many cleaners may contain chemicals, such as ammonia, chlorine, toilet cleaner etc. which could adversely affect the finish and are not recommended for cleaning.

有磨损性的清洁用具或清洁剂也不可适用于科勒牌的水龙头及其配件上。

Do not use abrasive cleaners or solvents on Kohler faucets and fittings.

## 零件图

## SERVICE PARTS



\*\*订购时请说明颜色编号

\*\*Color code must be specified when ordering