

安装之前

所有的资料是按最新出版的产品资料编写而成。科勒公司保留任何时候不经通知即可改变产品特性、包装或产品可供类型的权利。

说明书包括重要的安装、保养及清洁方面的内容，请把这些资料交给用户阅读。

注意事项：

本产品为水泥墙面安装或木墙面安装。若安装在其他表面可能影响产品性能。

危险警告：(人身伤害)

本产品不能作为扶手等支撑物使用，请勿将产品安装在可能被误认为扶手等支撑物的位置。

BEFORE YOU BEGIN

All information is based on the latest product information available at the time of publication. Kohler Co. reserves the right to make changes in product characteristics, packaging, or availability at any time without notice.

Please leave these instructions for the consumer. They contain important information.

NOTE:

These products should be located and mounted to a wall. While it is possible to mount them to any surface, a stud or concrete mounted product will yield the best results.

DANGER: (Risk of personal injury)

These products are not designed or intended for use as a grab bar or support bar. Do not install any of these products in any area where they are likely to be used inadvertently as a grab bar or support bar.

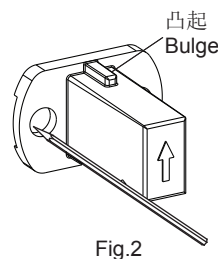
安装步骤

如何安装托架

仅对于37345T/37346T/37348T/
37350T/37351T/9124T

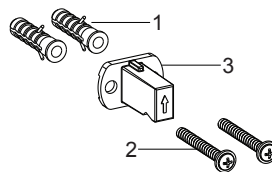
在垂直面的墙壁上，选择一个合适的位置用于安装底座。

如图Fig.2所示，在墙壁上标记胀塞(1)安装孔位置，确保底座(3)两安装孔水平。根据胀塞直径钻孔。



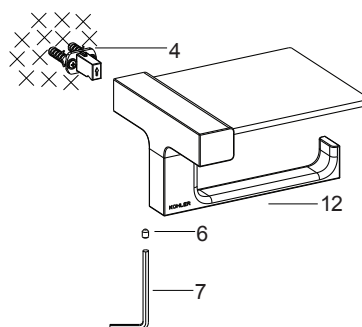
对于所有产品

将胀塞(1)塞入孔中，用自攻钉(2)固定底座(3)，并确保底座的凸起朝上。



如何安装带盖卫生纸架

将带盖卫生纸架(12)装到底座(4)上，保持带盖卫生纸架的螺钉孔向下，用六角扳手(7)锁紧螺钉(6)固定带盖卫生纸架。



INSTALLATION

How To Install The Bracket Only For 37345T/37346T/ 37348T/37350T/37351T/9124T

Select a location on the vertical wall to install the bracket.

As Fig.2 shown, Mark anchor(1) mounting hole locations on wall as shown, ensure two screw holes are horizontal. Drill holes in the finished wall as required.

For All Products

Press the anchors(1) into the holes. secure the bracket(3) with the self-tapping screws(2). Make sure the bulge on the bracket upwards.

How To Install Covered Toilet Tissue Holder

Slide the covered toilet tissue holder kit(12) onto the bracket(4). Orient the screw hole of the holder downwards. Tighten the screw(6) with the hex wrench(7) to secure the covered toilet tissue holder.