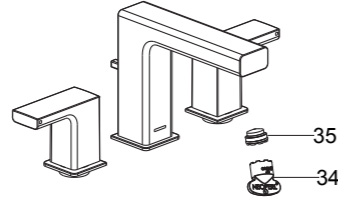


安装结果检查

检查并确保所有的衔接处都已拧紧。确保把手在关闭位置。

打开排水系统和主要供水源，检查并修理有漏水的接口。

用工具(34)将起泡器(35)拆下，打开龙头的冷热水，让水流出约一分钟以清除杂质。冲洗起泡器，关闭龙头，重新装回起泡器。



INSTALLATION CHECKOUT

Ensure that all connections are tightened and the handle is in the off position.

Open the drain. Turn on main water supply and check for leaks. Repair as required.

Remove the aerator(35) with the key (34). Turn the faucet handle on. Run hot and cold water through the spout for about one minute to remove any debris. Remove debris from the aerator. Shut off the faucet and reinstall the aerator.

清洗说明

适用于所有加工处理过的表面：以中性肥皂水清洗镀层表面，再以干净的软布彻底擦干整个表面，许多清洁剂，比如氨水、去污粉及洁厕灵等，会对电镀表面造成伤害，切忌使用。

有磨损性的清洁用具或清洁剂也不可用于科勒牌的水龙头及其配件上。

CLEANING INSTRUCTIONS

All Finishes: Clean the finish with mild soap and warm water. Wipe entire surface completely dry with clean soft cloth. Many cleaners may contain chemicals, such as ammonia, chlorine, toilet cleaner etc. which could adversely affect the finish and are not recommended for cleaning.

Do not use abrasive cleaners or solvents on Kohler faucets and fittings.

KOHLER®

INSTALLATION INSTRUCTIONS

安装说明书

斯磊

STRAYT

Widespread Lavatory Faucet

37331T-4 8"面盆龙头

安装之前

所有的资料是按最新出版的产品资料编写而成。科勒公司保留任何时候不经通知即可改变产品特性、包装或产品可供类型的权利。

说明书包括重要的安装、保养及清洁方面的内容，请把这些资料交给用户阅读。

注意事项：

1. 一定要先彻底冲洗供水管以清除管道中的杂质。
2. 尽可能在安装面盆之前安装水龙头。
3. 检查供水管有无损坏和漏水。如需要，进行替换和维修。
4. 遵守当地管路安装条例。
5. 切断供水管路。

BEFORE YOU BEGIN

All information is based on the latest product information available at the time of publication. Kohler Co. reserves the right to make changes in product characteristics, packaging, or availability at any time without notice.

Please leave these instructions for the consumer. They contain important information.

NOTES:

1. Flush the water supply pipes thoroughly to remove debris.
2. If possible, install this faucet before installing the lavatory.
3. Inspect the supply tubing for damage and leakage. Replace and maintain as necessary.
4. Observe local plumbing codes.
5. Shut off the water supplies to the fitting.

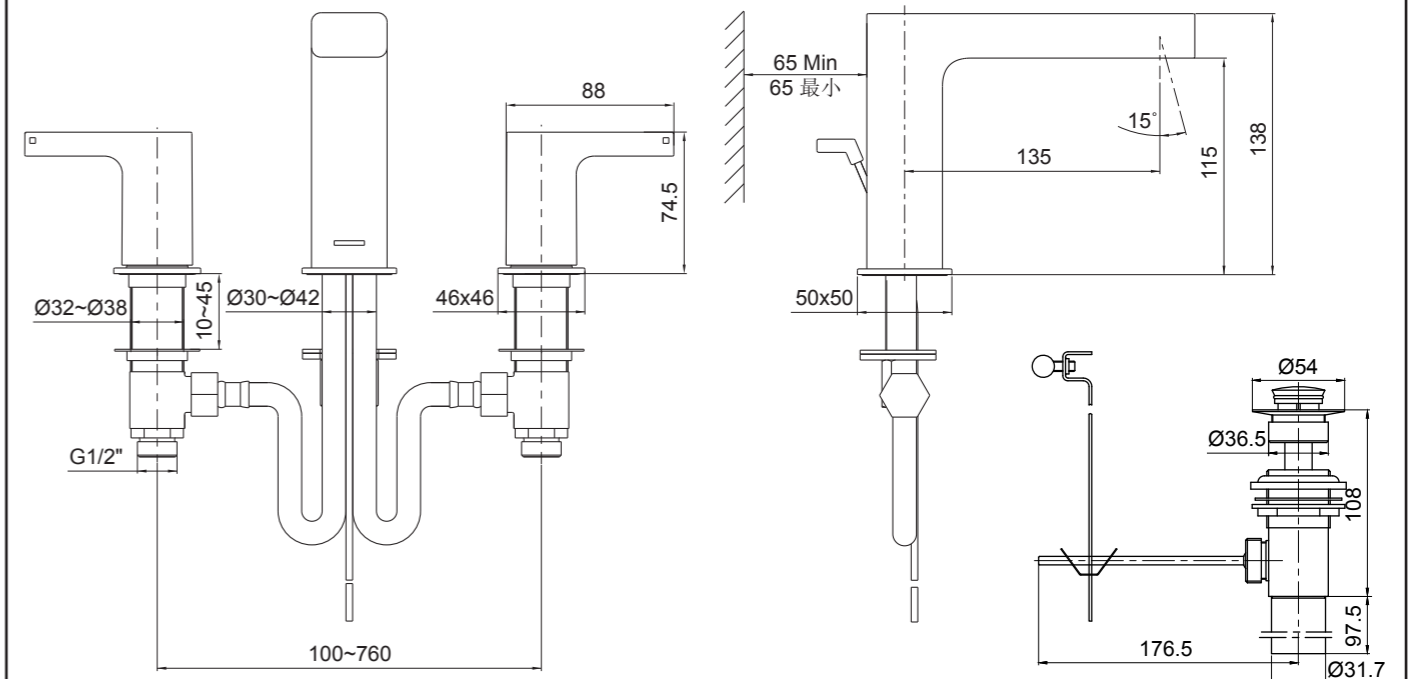
使用说明

顺时针旋转右把手为开，逆时针旋转左把手为开。

HANDLE OPERATION

Right handle opens with turning clockwise. Left handle opens with turning anticlockwise.

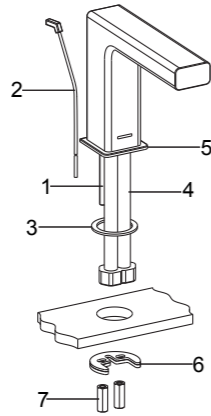
安装尺寸



安装步骤

如何安装出水口

将安装组件中的固定螺杆(1)装在龙头底部孔中, 将提拉杆(2)插入水龙头后侧小孔中, 将垫片(3)通过软管(4)和固定螺杆放入装饰盖(5)底部槽中, 将软管和固定螺杆插入面盆中孔。调整好水龙头的位置。从面盆下方将托架(6)(橡胶垫片放在上面)套在固定螺杆上, 锁紧螺母(7)以固定水龙头。



INSTALLATION

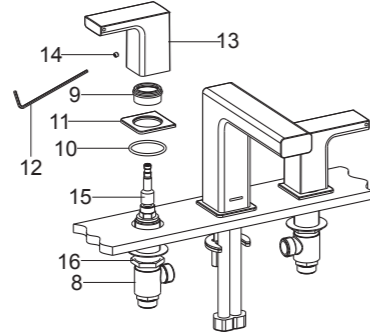
How To Install The Spout

Screw the stud(1) to the thread hole on the bottom of faucet. Insert the lift rod(2) into the hole at the rear of the body assembly. Put the washer(3) into groove on the bottom of escutcheon(5) through the flexible hoses(4) and the stud. Insert hoses and stud into the central hole of lavatory. Position the faucet. From underside of the lavatory, fit the brackets (6)(Rubber washer is on the top) onto the stud. Secure the faucet by tightening nuts(7).

如何安装阀体和把手

从阀体组件(8)上取下螺母(9)。将O型圈(10)嵌入装饰盖(11)底部凹槽。从面盆下方, 将阀体组件穿过安装孔(注: 面向龙头时, 贴有红圆的阀体组件装在左侧, 且安装之前阀芯处于关闭状态。)

将装饰盖装到每个阀体组件上。将螺母(9)旋紧到阀体组件上, 以固定装饰盖。用六角扳手(12)旋松把手(13)内螺钉(14), 将把手按在加长齿套(15)上(注: 面向龙头时, 带有红色标记的把手应装在左侧, 且安装之前阀芯处于关闭状态)。用六角扳手旋紧螺钉(14)固定把手。用扳手锁紧螺母(16)。



把软管接到阀体组件上。当面对龙头时, 左边软管与左边阀体组件连接, 右边软管与右边阀体组件连接。

How to Install The Side Bodies And The Handles

Remove the nut(9) from each side body (8). Put the o-rings(10) into groove on the bottom of escutcheons(11). Insert side bodies through mounting holes from bottom of the lavatory (NOTE: The valve body with red dot should be installed on the left when facing the front of the faucet, and the valves are in the closed position before installing them.).

Install the escutcheon onto each side body. Tighten the nut(9) onto each side body to secure the escutcheon. Loosen the screws(14) in the handles(13) with the hex wrench(12), then press the handles onto the extension stems (NOTE: The handle with red mark should be installed on the left when facing the front of the faucet, and the valves are in the closed position before installing them.). Tighten the screws (14) to secure the handles with the hex wrench. Wrench tighten the nuts(16).

Attach the hoses to the side bodies. When facing the front of the faucet, the left hose connects to the left side body, the right hose connects to the right side body.

如何安装排水器

将止水塞(17)、法兰盘(18)及垫片(19)从排水本体(20)上取下, 在法兰盘底面套上垫片。从排水本体上, 取下尾管(21)。在尾管螺纹处缠绕足以密封的密封胶带或涂合适的密封胶, 将排水本体装回。把排水本体带垫圈(22)、钢垫(23)及锁紧螺母(24)从面盆下方插入, 排水杆洞口(25)朝后方。

注意: 如果需要, 可直接在排水器法兰盘(18)底面沿周围涂一圈密封油灰, 而不使用垫片(19)。

把排水器法兰盘旋入排水本体中。从下方用手拧紧锁紧螺母。把止水塞放入排水本体中, 调整以使止水塞末端孔(26)靠近并对正排水杆的洞口。

将固定螺母(27)取下, 把塑料垫圈(28)及固定螺母装在球杆(29)上, 再把球杆组件插入排水杆的洞口中并穿过止水塞, 拧紧固定螺母。

确保球杆指向面盆后方, 并拧紧排水本体上的锁紧螺母, 去除多余油灰。

注意: 在锁紧螺母拧紧后, 不可调整排水本体的位置, 否则会破坏油灰密封。

用“V”形夹(30)将联杆(31)连接到球杆组件上, 将提拉杆(32)通过出水口背部提拉孔插入联杆孔中, 调整提拉杆的高度, 使得排水器在关闭状态下, 提拉杆头距龙头安装面约72毫米。

将球杆下推到排水器全开的位置。拧紧手捻螺丝(33)。

How to Install The Drain

Take off the stopper(17), drain flange (18) and washer(19) from drain body(20). Slide washer onto the underside of the drain flange. Take off the tailpiece(21) from the drain body. Supply enough tape or sealant to tailpiece thread. Reinstall the tailpiece. With the gasket(22), steel washer(23) and locknut(24) on the drain body, insert it into the bidet from underside with the drain lever hole(25) facing the rear.

NOTE: If needed apply a ring of plumbers putty around the underside of the drain flange(18), instead of using washer(19).

Thread the drain flange onto the drain body. Tighten the locknut by hand from the underside. Place stopper into drain body aligning the flat side of stopper hole(26) with the drain lever hole.

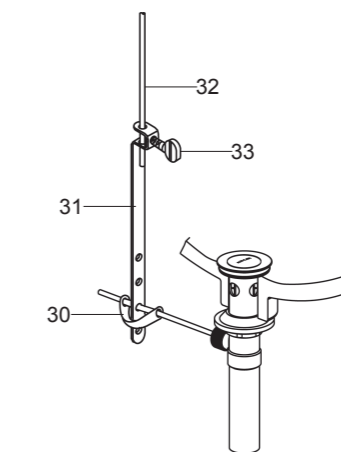
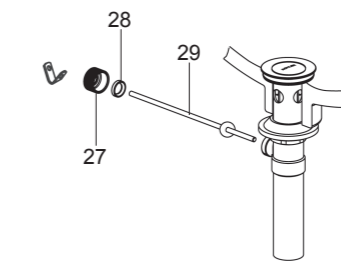
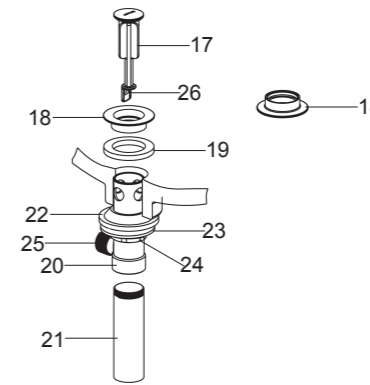
Remove the retaining nut(27). Fit the plastic washer(28) and retaining nut onto the ball lever(29). Insert the ball lever assembly into the drain lever hole and through the stopper hole. Tighten the retaining nut.

Be sure that the ball lever rod points to the back of the bidet, tighten the locknut on the drain body. Remove any excess putty.

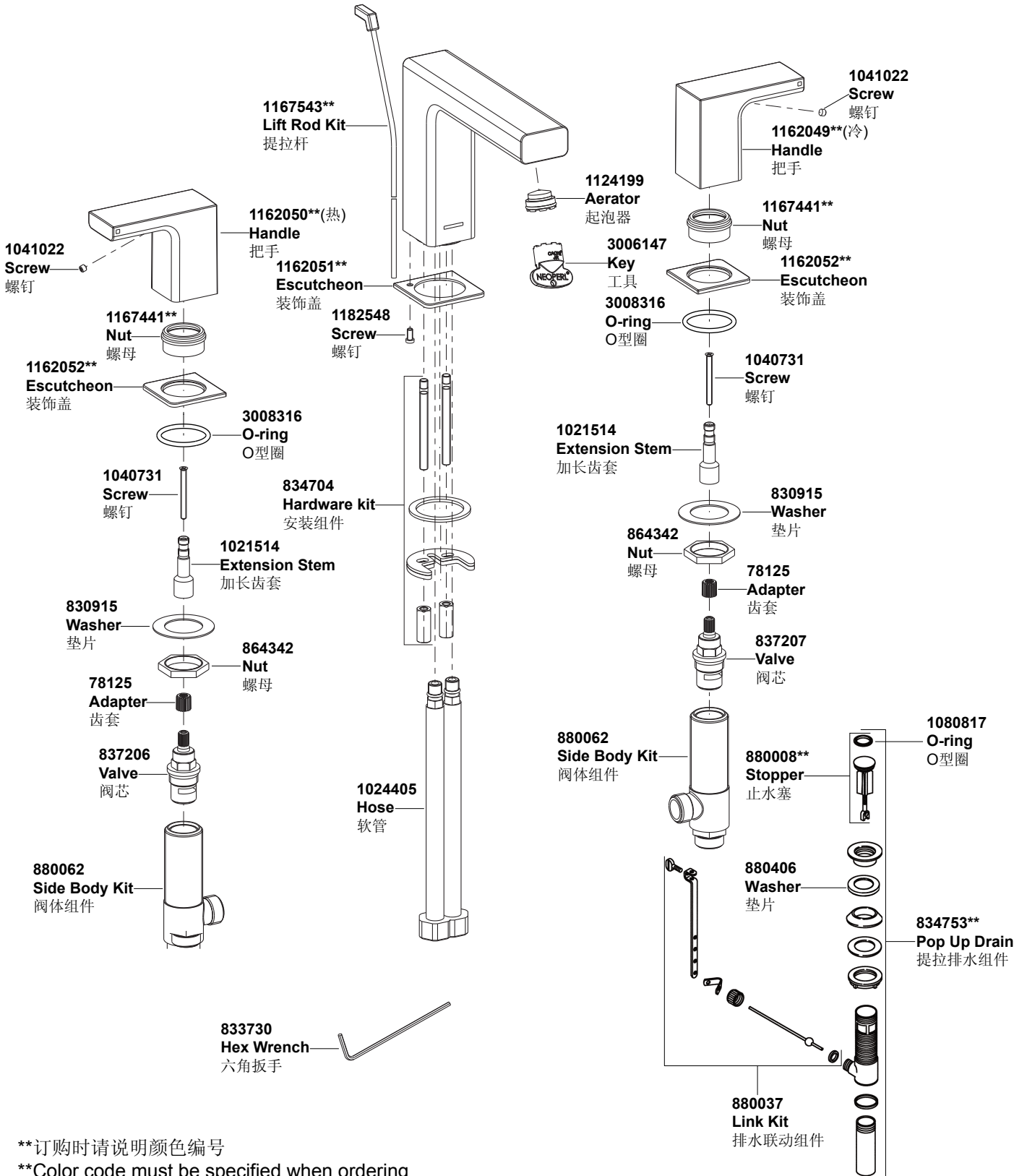
NOTE: Do not reposition the drain after the locknut is tightened, or you may break the putty seal.

Connect the link(31) onto ball lever rod with "V"-clip(30). Insert the lift rod(32) into the link of the drain through the hole on the rear of the spout. Position the lift rod, ensure the distance between the lift rod knob and the body is about 72mm.

Push the ball lever rod down to the open position. Tighten thumb screw(33).



37331T-4 8"面盆龙头



**订购时请说明颜色编号

**Color code must be specified when ordering