

22645T Square Showerhead With Shower Arm

BEFORE YOU BEGIN

All information is based on the latest product information available at the time of publication. Kohler Co. reserves the right to make changes in product characteristics, packaging, or availability at any time without notice.

Please leave these instructions for the consumer. They contain important information.

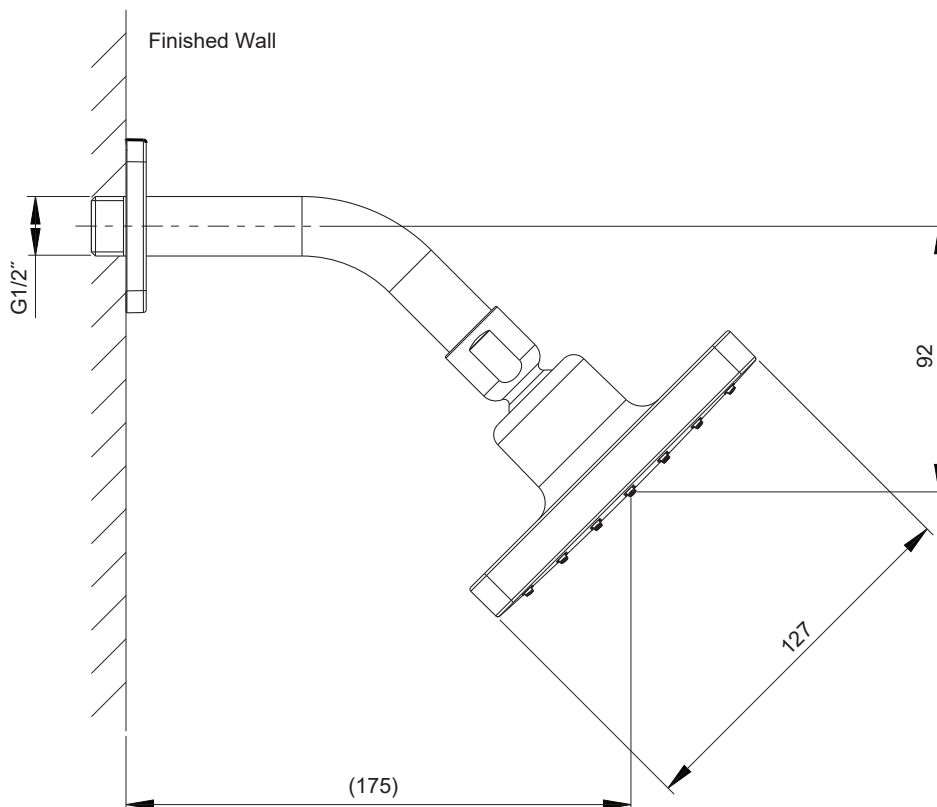
NOTES:

1. Flush the water supply pipes thoroughly to remove debris.
2. Observe all local plumbing and building codes.
3. The highest working pressure for handspray & shower head is 0.5MPa(5bar). If it exceeds 0.5MPa(5bar), a pressure reducer is needed. The highest water and environment temperature is 60°C. Please keep showerhead and the shower arm away from heater, or it may become damaged and cause injury to the user.

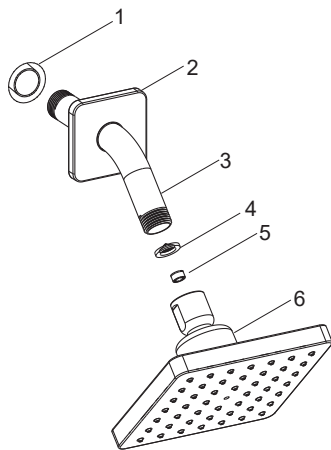
STANDARD APPLICABLE

Special model meets or exceeds the following at date of manufacture: TIS

ROUGH-IN DIMENSIONS



INSTALLATION



Apply a ring of plumbers putty at the backside of the escutcheon(2). Slide the escutcheon onto the shower arm(3). Apply tape or thread sealant to the shower arm threads, and install the shower arm into the supply fitting or connector(1, not provided).

Tighten the shower arm with a strap wrench, and make sure the outlet is facing downwards. Adjust the escutcheon and keep it against the wall. Remove any excess putty.

Before installing the showerhead(6), flush both water supplies through the shower arm for about one minute to remove debris. Insert the regulator(5) and washer(4) into the inlet of the showerhead as shown.

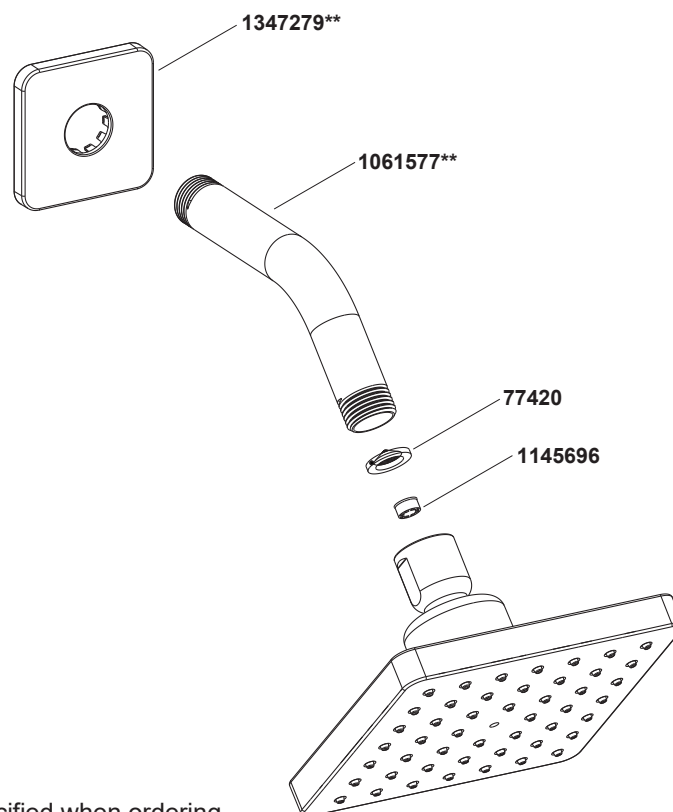
If needed, apply tape or thread sealants to the exposed end of the shower arm instead of using washer. Thread the showerhead onto the shower arm.

CLEANING INSTRUCTIONS

All Finishes: Clean the finish with mild soap and warm water. Wipe entire surface completely dry with clean soft cloth. Many cleaners may contain chemicals, such as ammonia, chlorine, toilet cleaner etc. which could adversely affect the finish and are not recommended for cleaning.

Do not use abrasive cleaners or solvents on Kohler faucets and fittings.

SERVICE PARTS



**Color code must be specified when ordering.

NOTE: For all Asia pacific regions (excluding China) add SP (SPxxxxxx**) in front of the part number when ordering.