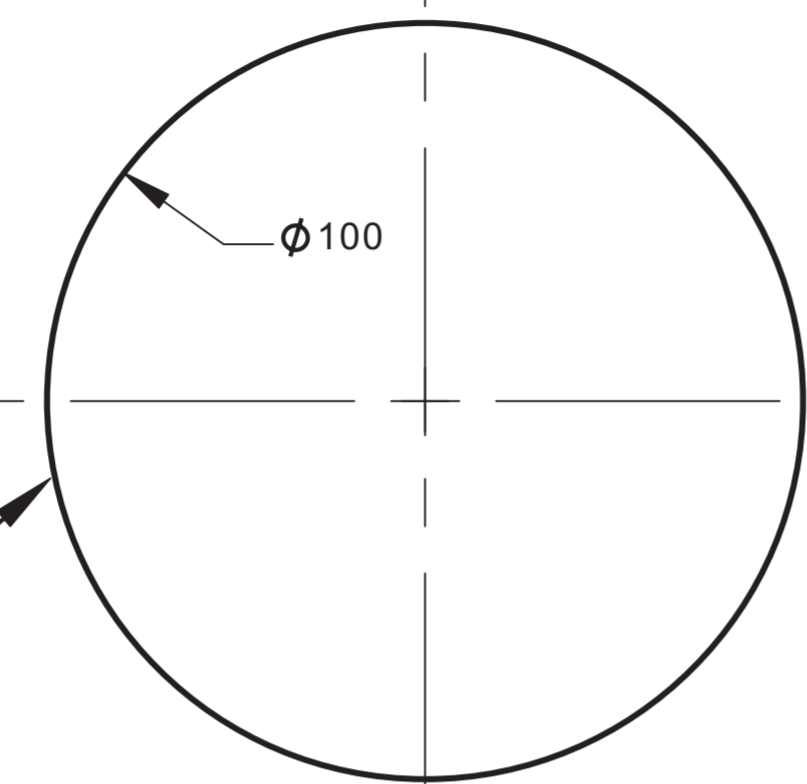


科 THE BOLD LOOK
勒 OF KOHLER
全 球 厨 卫 经 典



沿此线切割
CUT ALONG THIS LINE

124mm

390mm

K-19897T
德塔DELTA

耐火土时尚脸盆
FIRE CLAY VESSEL
切割图/安装说明书

CUT-OUT TEMPLATE / INSTALLATION INSTRUCTIONS

安装之前

- 留意当地所有给排水及建筑规定。
- 检查污水管及供水管，如有需要请更换。
- 安装之前，先开启新脸盆的包装，并小心检验新的脸盆是否有损坏，再将脸盆放回包装盒内，到安装时才取用。

- 若为更换新脸盆，须确保现有的柜台孔口与新脸盆的切割位相同。
- 请使用同时印在此说明书上的切割图，标划正确之切割位。

- 科勒洗脸盆是根据美国标准制造的，与美式洗脸盆配件相配。其它洗脸盆配件可能与之不匹配。

所需工具及物料
(不随货供应)

- 模板(已提供)
- 护眼镜
- 铅笔
- 剪刀
- 卷尺
- 涂油灰刀
- 水管用油灰
- 钢锯
- 匙孔线锯或手提电锯
- 钻(直径为13mm钻头或更大)
- 活动板钳
- 喉管板钳
- 切管刀

可选配件信息

排水.....1065000-CP

BEFORE YOU BEGIN

- Observe all local plumbing and building codes.
- Inspect the waste and supply tubing, replace if necessary.
- Prior to installation, unpack the new lavatory and carefully inspect it for damage. Return the lavatory to its protective carton until you are ready to install it.

- For replacement installations, make sure the existing cutout is the same or smaller size as the new lavatory.
- Use the template supplied with the lavatory to mark correct size cutout.

- Kohler lavatory is made according to American National Standard that it can match the American lavatory fittings. Any other lavatory fittings may not fit for kohler lavatory.

TOOLS AND MATERIALS (Not Supplied)

- Template(supplied)
- Safety Glasses
- Pencil
- Scissors
- Tape Measure
- Putty Knife
- Plumbers putty
- Hacksaw
- Keyhole Saw or Saber Saw
- Drill (13mm or 1/2" dia. drill bit or larger)
- Adjustable Wrench
- Pipe wrench
- Tubing Cutter

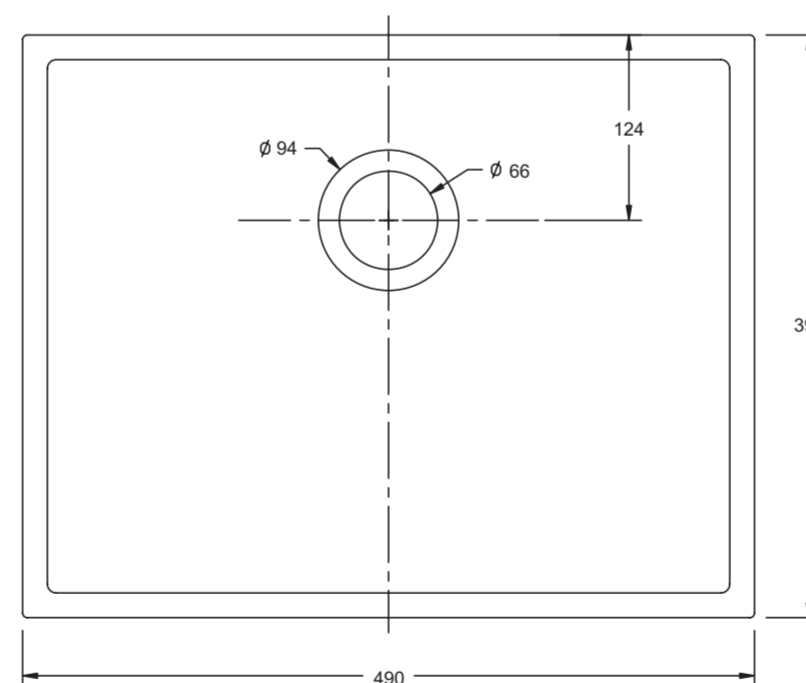
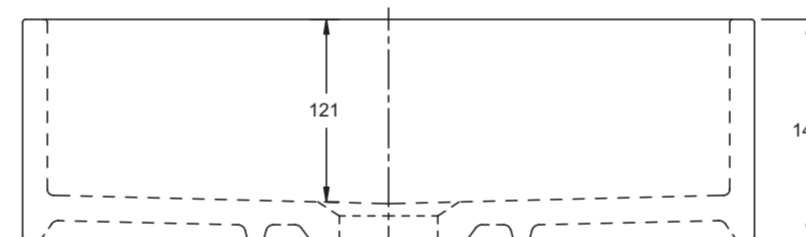
OPTIONAL ACCESSORY INFORMATION

Drain.....1065000-CP

尺寸图

ROUGH-IN

单位: 毫米
Unit: mm

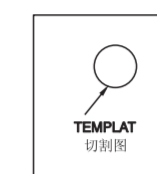


490mm

脸盆边缘
RIM OF LAVATORY

安装新脸盆

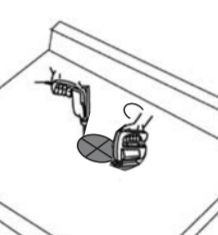
- 用剪刀沿切割线将切割图剪出。
- 将切割图放在盥洗台上，定出洗脸盆的安装位置。确保脸盆、龙头和防溅板之间有足够空间。



- 用铅笔在台面上沿切割线画出切割轮廓。



- 用一个13mm的钻头，在切割口内侧钻一个导孔。
- 沿着自切割图勾划出来的铅笔线内侧切开台面。
- 根据安装的龙头和台面尺寸，正确切割龙头安装孔。



注意：开龙头安装孔的尺寸一定要准确，否则可能会使龙头无法正常使用。

- 暂将脸盆放入台面开口，校正位置。

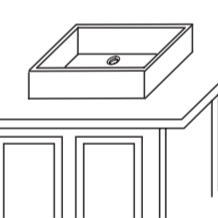
⚠ 小心：提防身体受伤或损坏产品。因脸盆较重，需找人帮您一起搬动及安放。

- 将脸盆移开。按照制造商的指引，安装水龙头和排水管道。
- 在脸盆底部涂抹密封胶。

- 小心地将脸盆置于台面切口适当位置，向下按牢。

⚠ 小心：提防身体受伤或损坏产品。因脸盆较重，需找人帮您一起搬动及安放。

- 立即擦去多余的封边胶，如脸盆外缘与台面间有缝隙，即用胶填满。
- 检查脸盆的位置准确。
- 最少待三十分钟，让封边胶干透后，方可继续进行安装。
- 联接水龙头供水管。
- 联接排水装置。
- 开启水龙头阀门，检查有否渗漏。
- 用非腐蚀性清洁剂来清洁。



注1：用户可根据自己的喜好，更改切割图的形状和尺寸，但须保证不影响台面本身的强度和洗脸盆落水配件的安装。

注2：禁止使用环氧树脂胶。

注3：龙头与进水、排水管件连接要牢固，如连接不牢固，有漏水的可能。

INSTALL NEW LAVATORY

- Cut the template on the cutout line with scissors.
- Position the template on the countertop to determine lavatory installation position. Make sure enough space between the lavatory, faucet and backsplash.

- Trace the template with a pencil (B) to map the outer rim of the lavatory onto the countertop.

- Drill a $\varnothing 13$ mm hole on the inside of the cutout opening.
- Cut the opening in the countertop along the inside edge of the pencil line.
- Drill the faucet installation hole according to faucet and countertop dimension.

Note: The faucet installation hole shall be precisely drilled, otherwise, it may affect faucet performance in the future use.

- Temporarily position the lavatory in the opening, and adjust to fit.

⚠ CAUTION: Risk of personal injury or product damage. Large lavatories are very heavy. Get help lifting the lavatory into place.

- Remove the lavatory. Install the faucet and drain according to the manufacturers instructions.

- Apply sealant to the bottom installation area.

Carefully position the lavatory in the cutout, and press down firmly.

⚠ CAUTION: Risk of personal injury or product damage. Large lavatories are very heavy. Get help lifting the lavatory into place.

- Immediately wipe away any excess sealant, and fill any voids as needed.
- Verify that the lavatory has not moved out of position.
- Allow the sealant to cure for at least 30 minutes before proceeding.
- Connect the faucet supply lines.
- Connect the drain assembly.
- Open the faucet valves, and check for leakage.
- Clean up with a non-abrasive cleaner.

Note 1: Users may change the shape and dimension of the cut-out template as they wish without undermining the strength of the countertop and lavatory drain assembly installation.

Note 2: It is prohibited to use epoxy resin as the sealant.

Note 3: Faucet needs to be tightly connected with inlet and outlet supplies. Otherwise, it may lead to leakage.

IMPORTANT CONSUMER INFORMATION (CARE AND CLEANING)

To keep your lavatory looking new, make sure you rinse it out thoroughly after each use. DO NOT USE ABRASIVES on this product, as they will scratch and ruin the surface. Stubborn stains, paint, or tar can be removed with turpentine or paint thinner.

1084250-T01-A

© 版权为科勒中国有限公司所有, 2007
© Copyright Kohler China Ltd., 2007

广东省佛山市三水区乐平镇第二工业区
佛山科勒有限公司 邮编: 528137