



艾思格尔 ESCALE
 费丽兰 FREELANCE
 佩斯格 PRESQU'ILE
 欧芙 OVE

安装说明书
 INSTALLATION INSTRUCTIONS

釉面陶瓷挂墙式座便器
 VITREOUS CHINA WALL-HUNG P-TRAP TOILET
 K-19045W/K-18132T/K-18132T-S/K-18133T/K-18133T-S/
 K-17647T/K-17647T-S

BEFORE YOU BEGIN

安装之前

Please read these instructions carefully to familiarize yourself with the required tools, materials, and installation sequences. Follow the sections that pertain to your particular installation. This will help you avoid costly mistakes. In addition to proper installation, read all operating and safety instructions. All information in these instructions is based upon the latest product information available at the time of publication. Kohler China reserves the right to make changes in product characteristics, packaging, or availability at any time without notice. These instructions contain important care, cleaning, and warranty information-please leave instructions for the consumer.

请仔细阅读说明书，熟悉所需工具、材料和安装顺序，参照相关章节完成您所需的安装，以避免昂贵的损失，除了正确的安装外，请详阅所有的操作和安全说明。

本说明书所含的一切资料均以印刷时所有的最新产品为准，科勒中国保留权利随时更改产品特性、包装或供应情况，恕不另行通知。

本说明书也包含了有关保养、清洁及产品担保等重要信息-请交予用户保存。

ORDERING INFORMATION

订购信息

ESCALE Wall-hung Toilet	K-19045W
Includes: ESCALE Quiet-close Toilet Seat	K-4417T
FREELANCE Wall-hung Toilet	K-18132T
Includes: FREELANCE Wall-hung Bowl.....	K-19461K
FREELANCE Toilet Seat.....	K-4707T-U
FREELANCE Wall-hung Toilet with Quiet-close Seat .	K-18132T-S
Includes: FREELANCE Wall-hung Bowl.....	K-19461K
FREELANCE Quiet-close Toilet Seat	K-4735T
PRESQU'ILE Wall-hung Toilet	K-18133T
Includes: PRESQU'ILE Wall-hung Bowl	K-19080T
PRESQU'ILE Toilet Seat.....	K-8745T-U
PRESQU'ILE Wall-hung Toilet with Quiet-close Seat .	K-18133T-S
Includes: PRESQU'ILE Wall-hung Bowl.....	K-19080T
PRESQU'ILE Quiet-close Toilet Seat.....	K-8798T
OVE Wall-hung Toilet	K-17647T
Includes: OVE Wall-hung Bowl.....	K-19957T
OVE Toilet Seat.....	K-17671T
OVE Wall-hung Toilet with Quiet-close Seat.....	K-17647T-S
Includes: OVE Wall-hung Bowl.....	K-19957T
OVE Quiet-close Toilet Seat	K-17676T

艾思格尔挂墙式座便器.....	K-19045W
包括: 艾思格尔缓降座便器盖板.....	K-4417T
费丽兰挂墙式座便器	K-18132T
包括: 费丽兰挂墙式座便器缸体	K-19461K
费丽兰抗刮擦座便器盖板.....	K-4707T-U
费丽兰挂墙式座便器带缓降盖板	K-18132T-S
包括: 费丽兰挂墙式座便器缸体	K-19461K
费丽兰缓降座便器盖板	K-4735T
佩斯格挂墙式座便器	K-18133T
包括: 佩斯格挂墙式座便器缸体	K-19080T
佩斯格抗刮擦座便器盖板	K-8745T-U
佩斯格挂墙式座便器带缓降盖板	K-18133T-S
包括: 佩斯格挂墙式座便器缸体	K-19080T
佩斯格缓降座便器盖板	K-8798T
欧芙挂墙式座便器	K-17647T
包括: 欧芙挂墙式座便器缸体	K-19957T
欧芙座便器盖板	K-17671T
欧芙挂墙式座便器带缓降盖板	K-17647T-S
包括: 欧芙挂墙式座便器缸体	K-19957T
欧芙缓降座便器盖板	K-17676T

科勒(中国)投资有限公司
 上海市闸北区江场三路158号 邮编: 200436

NOTES

- Observe all local plumbing and building codes.
- Shut off the water supply.
- For values of seat post hole centers, please refer to dimension.
- Passageways is 60mm.
- Please refer to actual for the value of water depth from rim.
- Ensure that the new drain and shut-off valve have the correct roughing-in dimensions. **See Fig.#1.**
- Be very careful while working with vitreous china products. Vitreous china can break or chip if the bolts or nuts are overtightened, or if carelessly handled.
- Carefully inspect the new bowl for any sign of damage.
- Fixture dimensions are nominal and conform to tolerances established by ASME Standards (A112.19.2M).

注意

- 请遵守当地所有给排水及建筑规定。
- 关闭供水。
- 座便器盖板孔中心间距请参考尺寸图。
- 排污通道为60mm。
- 座便器上表面距离水面以具体实物为准。
- 确保新排污管和止水阀坑距尺寸正确，请参阅图1。
- 请小心处理釉面陶瓷产品，因其容易破损和崩裂，故不可把螺栓或螺母上得过紧，且须小心轻放。
- 请仔细检查座便器是否有损坏。
- 部件尺寸为标定值，误差符合美国机械工程师学会标准ASME(A112.19.2M)。

TOOLS AND MATERIALS REQUIRED (Not supplied)

- 254mm adjustable wrench
- Metal file (file cut)
- Tape measure
- Tubing cutter
- Level
- Hacksaw
- Putty knife
- Screwdriver
- Straight pipe coupling
- Connection packing

所需工具及材料(不随货供应)

- 254mm活动板钳
- 锉刀
- 卷尺
- 切管刀
- 水平尺
- 钢锯
- 涂油灰刀
- 螺丝刀
- 联结直管
- 联结组件

ROUGHING-IN

尺寸图

Reference Value
参考值

K-19045W

Unit: mm
单位: 毫米

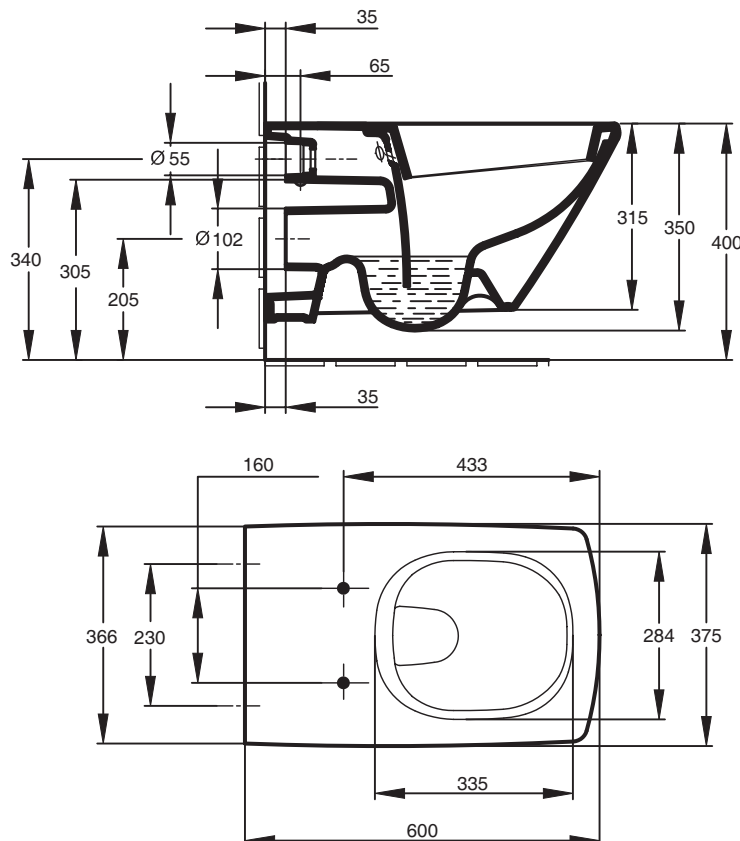


Fig.#1a
图1a

K-19461K

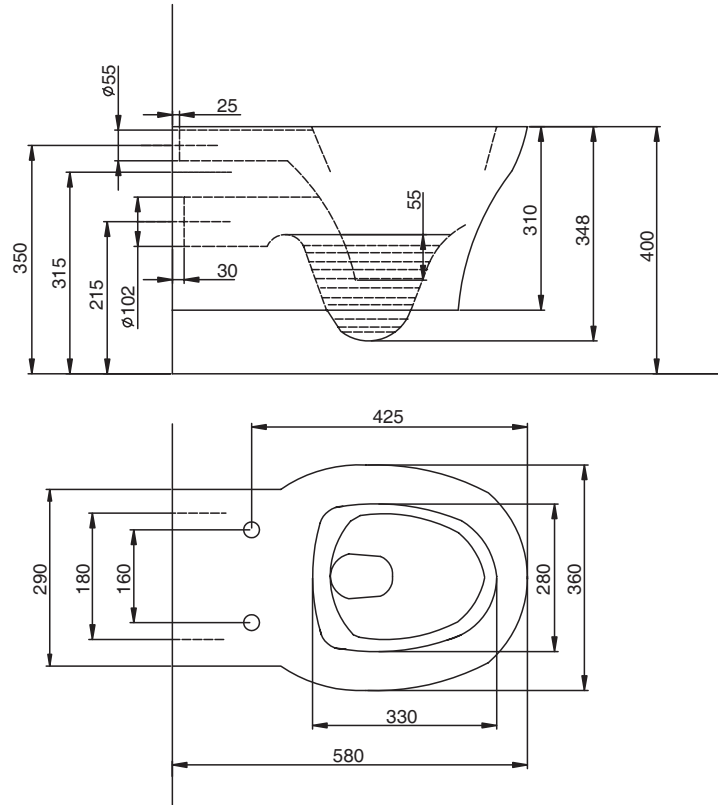


Fig.#1b
图1b

K-19080T

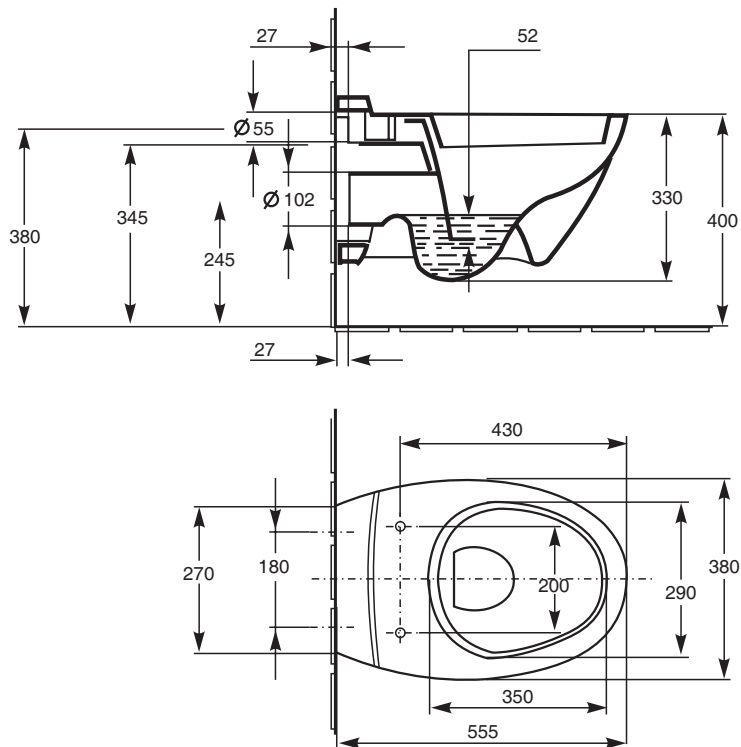


Fig.#1c
图1c

K-19957T

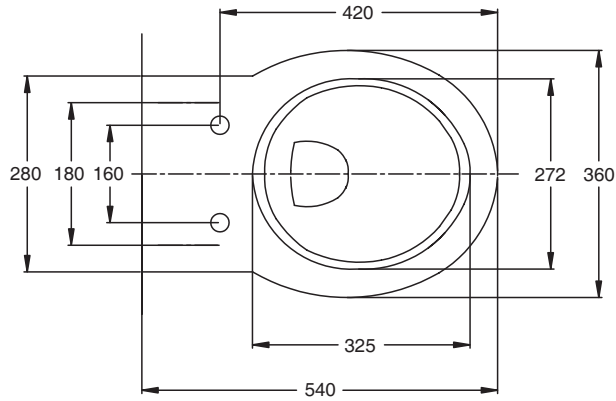
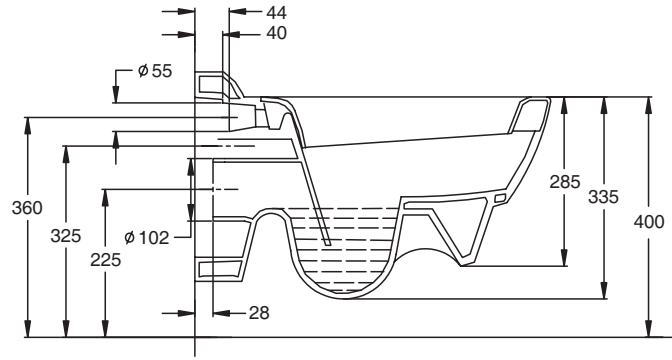


Fig.#1d
图1d

科勒公司保留随时变更图中标示尺寸的权利，无需另行通知。
Kohler reserves the right to change marked dimensions without prior notice.

1. INSTALL THE TANK

- Turn the water supply off before installing the new toilet.
- Install the concealed tank system in wall before decorating the wall.
- Install the tank system per tank's installation instructions.

Recommended in wall tanks (Fig.#2-a)

- 1) ODEON in wall tank and cover: K-6284T-NA/K-6283T-*
- 2) Only ESCALE wall-hung toilet (K-19045W) can match OVE in wall tank and cover: K-6287T-NA/K-6288T-*

Recommended toilet sensor

ODEON toilet sensor K-744T

Recommended in wall frame K-16310T-NA (Fig.#2-b).

*For concrete installation steps, please refer to the installation instructions for K-744T, K-6284T-NA, K-6287T-NA and K-16310T-NA.

1. 安装水箱

- 安装新座便器前先关闭供水。
- 在装饰墙面前先将入墙式水箱系统安装入墙体内部。
- 参照水箱安装说明书完成水箱系统的安装。

推荐使用的入墙式隐藏水箱(图2-a)

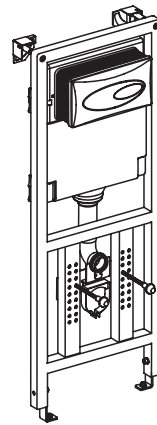
- 1) 奥帝安入墙式隐藏水箱和面板: K-6284T-NA/K-6283T-*
- 2) 仅艾思格尔挂墙式座便器(K-19045W)可选配欧芙入墙式隐藏水箱和面板: K-6287T-NA/K-6288T-*

推荐使用的座便器感应器

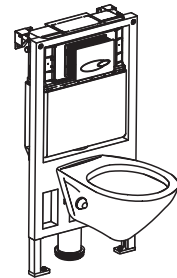
奥帝安节水型座便器感应冲水器K-744T

推荐挂墙式座便器支架K-16310T-NA(图2-b)

*安装方法参考K-744T, K-6284T-NA, K-6287T-NA和K-16310T-NA说明书。

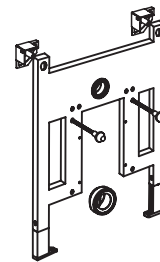


K-6284T-NA
K-6283T-*



K-6287T-NA
K-6288T-*

Fig.#2-a
图2-a



K-16310T-NA

Fig.#2-b
图2-b

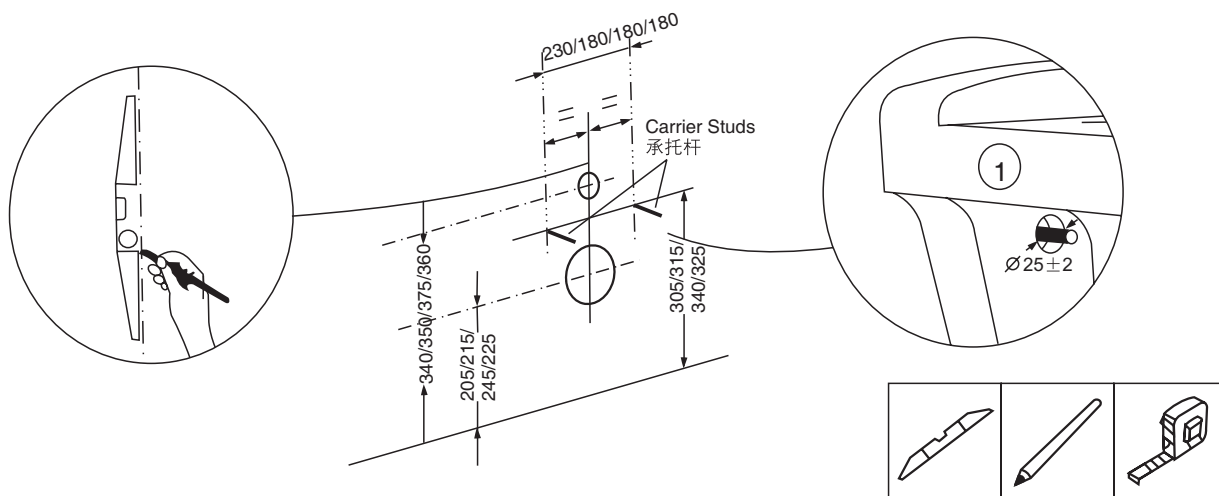
2. SET THE SPACING OF THE BOWL

After you install the tank, be careful to set the spacing of the bowl on wall according to the dimensions as shown.

2. 座便器定位

水箱安装完成后，根据图示尺寸，小心地在墙面上定好座便器的位置。

Unit: mm
单位: 毫米



(K-19045W/K-19461K/K-19080T/K-19957T)

Fig.#3

图3

3. ATTACH CONNECTION PIPE

- Attach pipe with gasket to the inlet to link to the concealed tank.
- Attach pipe with gasket to the outlet.
- *Apply gasket for sealing the bowl to wall.
- You may apply some lubricant to help connect smoothly.

3. 安装联结管

- 联结管装上垫圈，接上入水口，联结入墙式水箱。
- 联结管装上垫圈，接上排污口。
- *垫圈使座便器与墙面间严丝合缝。

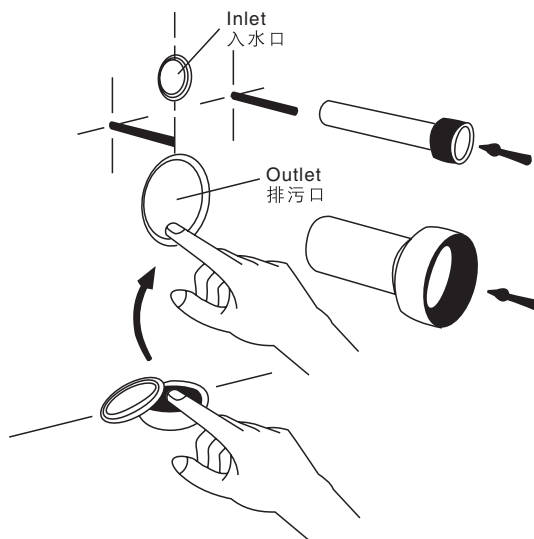
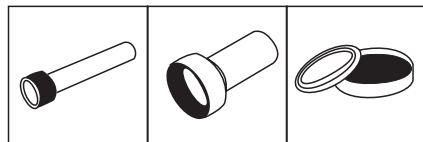


Fig.#4

图4

4. INSTALL THE NEW BOWL

Apply a little silicone sealant along the edge, to fill the gap between bowl and wall. **See Fig. 5a.**

4. 安装新座便器

沿座便器边缘涂少量硅胶密封胶，填补座便器与墙面之间的空隙。见图5a。



Fig. #5a
图5a

Place the new bowl on the wall through the carrier. Wrench the nut to tighten and make them attached securely. **See Fig. 5b.**

- Torque for tightening nuts is recommended to be within the range from 8 Nm to 12 Nm.

座便器穿过承托杆置于墙上。上紧螺母，固定座便器。见图5b。

- 上紧螺母所用的扭矩推荐值为8Nm至12Nm。

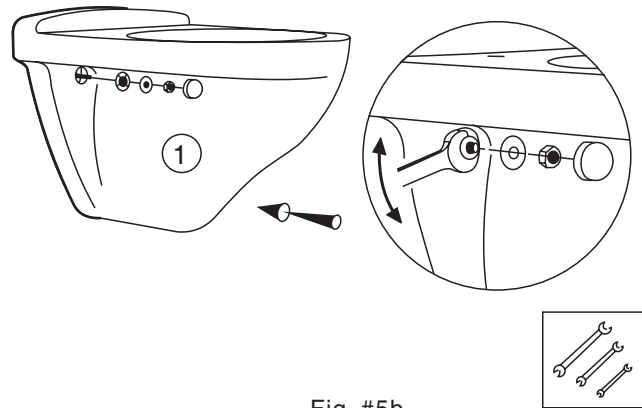


Fig. #5b
图5b

Adjust to horizontal and finish tightening. **See Fig. 5c.**

座便器调整至水平，然后完成固定。见图5c。

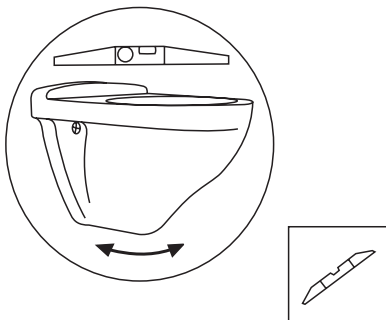


Fig. #5c
图5c

Apply sealant to make sure the bowl's edge seals to the wall. **See Fig. 5d.**

使用密封胶，保证座便器边缘紧贴墙面。见图5d。

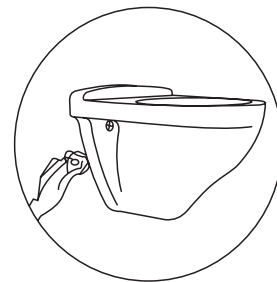


Fig. #5d
图5d

FINISH THE INSTALLATION

1. Ensure that all the connections are tight.
2. Turn on the water supply and check for any leaks.
3. Flush the toilet to check for correct operation.

完成安装

1. 确保所有连接已旋紧。
2. 打开供水管路以检查渗漏。
3. 试冲水以确定座便器安装正确。

IMPORTANT CONSUMER INFORMATION

CONSUMER RESPONSIBILITIES

When cleaning up after installation, do not use abrasive cleansers, as they may scratch and dull the toilet surface. Use warm water and a liquid detergent to clean the surface.

Remove stubborn stains, paint, or tar with turpentine or paint thinner. Do not allow cleaners containing petroleum distillates to remain in contact with any toilet surface for long periods of time.

Remove plaster by carefully scraping with a wood edge. Do not use metal scrapers, wire brushes, or other metal tools. Use a powder type detergent on a damp cloth to provide mild abrasive action to any residual plaster.

Clean the outside surface of your vitreous china product with mild soap and warm water. Wipe the entire surface completely dry with a clean, soft cloth.

Most toilet bowl cleaners are not harmful to the vitreous china surface of the toilet bowl. Please follow the bowl cleaner manufacturer's instructions carefully.

Do not use abrasive cleaners or solvents.



WARNING: Risk of property or product damage.

Do not use in-tank cleaners. Products containing chlorine (calcium hypochlorite) can seriously damage fittings in the tank. This damage can cause leakage and property damage.

Kohler Company shall not be responsible or liable for any damage to these tank fittings caused by the use of cleaners containing chlorine (calcium hypochlorite).



CAUTION: Do not use any cement while installing the toilet.

Heat expansion of the toilet may damage the feet of the toilet. Kohler will not be responsible for any damage because of using cement.



WARNING: Risk of product damage.

Do not throw into the toilet what is easy to block it, such as newspaper, paper pilch, sanitary towel. Do not bump the vitreous china with great force to prevent it from damaging and leaking.

Do not use the product in the water below 0°C.

用户须知

用户责任

安装完成进行清理时，切勿使用腐蚀性清洁剂，因为它们会刮伤座便器表面，使色彩变得黯淡。使用温水和液体清洁剂来清洁表面。

使用松节油或油漆稀释剂，清除顽固污渍、油漆或柏油。切勿让含有石油提炼物的清洁剂长时间接触座便器表面。

使用木片小心地刮除油灰，切勿使用金属刮刀、钢丝球，或其它的金属工具。使用粉末状清洁剂和湿布柔和地擦去油灰。

使用中性肥皂和温水清洁釉面陶瓷产品的表面。擦拭整个表面，用干净的软布擦干。

大多数马桶清洁剂对座便器表面是无害的，请认真遵循马桶清洁剂制造商的指示来操作。

请勿使用腐蚀性清洁剂或溶剂。



警告：提防楼宇受损或损坏产品。请勿使用水箱内用清洁剂。含氯（次氯酸钙）的清洁剂会严重破坏水箱配件，从而引起渗漏，或对楼宇结构造成损坏。

科勒公司对此类因使用氯（次氯酸钙）而引致的水箱装置损毁，概不负责。



警告：在安装本座便器时切勿使用任何水泥。因为水泥的热膨胀可能使座便器的脚部挤破或损坏。科勒对所有因为水泥安装而引起的座便器破裂恕不负责。



警告：提防损坏产品。

请不要向便器内冲入新闻纸、纸尿裤、妇用卫生巾等容易堵塞的物品。请不要用重力撞击陶瓷，以防止破损漏水。

不要在0°C以下的水环境中使用。