

KOHLER®

INSTALLATION INSTRUCTIONS

安装说明书

360°随心转 FLIPSIDE HANDSPRAY

17492T 17493T 17494T 多功能手持花洒

安装之前

所有的资料是按最新出版的产品资料编写而成。科勒公司保留任何时候不经通知即可改变产品特性、包装或产品可供类型的权利。

说明书包括重要的安装内容,请把这些资料交给用户阅读。

注意事项:

- 1.一定要先彻底冲洗供水管以清除管道中的杂质。
- 2.花洒最高工作压力:0.5MPa(5 bar)。水压超过0.5MPa(5 bar)须安装减压阀。花洒最高工作温度及环境温度:60°C。请特别注意花洒须远离浴霸,否则可能损坏花洒,甚至对使用者造成伤害。
- 3.手持花洒限流器不可以取出,否则将损坏花洒。

BEFORE YOU BEGIN

All information is based on the latest product information available at the time of publication. Kohler Co. reserves the right to make changes in product characteristics, packaging, or availability at any time without notice.

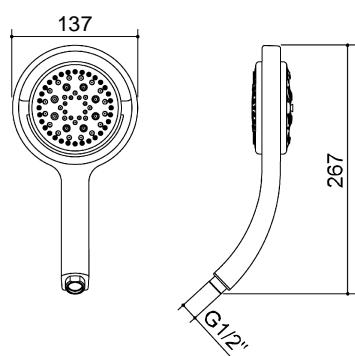
Please leave these instructions for the consumer. They contain important information.

NOTES:

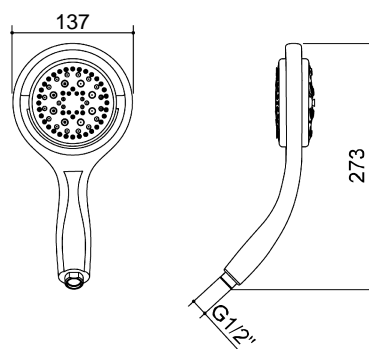
1. Flush the water supply pipes thoroughly to remove debris.
2. The highest working pressure for handspray is 0.5Mpa(5 bars). If it exceeds 0.5Mpa(5 bars), a pressure reducer is needed. The highest water and environment temperature is 60°C. Please keep handspray away from heater, or maybe damage it and hurt user.
3. Don't remove the regulator, or will damage the handspray.

安装尺寸

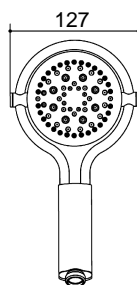
ROUGH-IN DIMENSIONS



17492T



17493T



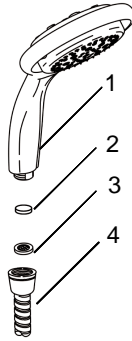
17494T

安装步骤

INSTALLATION

如何安装手持花洒

手持花洒(1)的限流器不可取出。将滤网垫片(3)放入软管(4, 客户自备)接头内, 将毡垫(2)放入手持花洒内, 将手持花洒旋紧到软管上, 软管另一端连接水源。



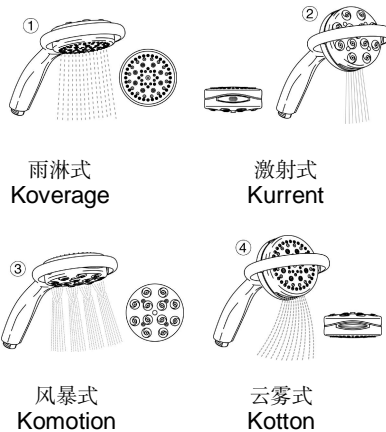
How to Install the Handspray

Don't remove the regulator of handspray (1). Put the screen washer(3) into the shower hose(4, not provided) connector, put the filter(2) into the handspray, screw the handspray to the shower hose. Connect another end of shower hose to the water supply.

操作说明

OPERATION INSTRUCTIONS

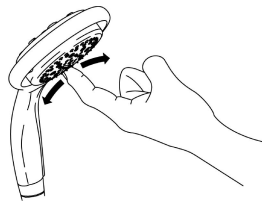
旋转手持花洒头部可以获得不同水流方式, 见右图。



Rotate the head of the handspray to change the spray patterns as shown.

如何清除喷嘴水垢, 杂质

喷嘴杂质或结垢会导致水流变形, 流量变小。打开水源, 用力按压或摩擦橡胶喷嘴, 去除杂质或水垢。

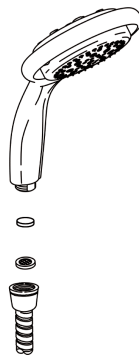


How to Clean the Nozzles

Any debris or mineral build-up may cause the flow stream to become distorted or reduce the flowrate. To remove the debris or mineral build-up, run water through the handspray, firmly press or rub your finger back and forth across the rubber nozzles.

如何清理滤网垫片

拆下手持花洒(1)。先将滤网垫片(3)和毡垫(2)从手持花洒中依次取出。用热醋清洗滤网垫片上的滤网, 清洗垫片滤网和毡垫。重新将毡垫和滤网垫片装入手持花洒。重新装回手持花洒。



How to Clean the Screen Washer

Remove the handspray(1). Take out the screen washer(3) and the filter(2) from the handspray. Clean the filters of the screen washer by soaking them in warm vinegar. Clean the screen washer and filter. Reinstall the filter and screen washer into the handspray. Reinstall the handspray.

如何清洗云雾式出水口

用带尖工具把白色塞扣拨下。

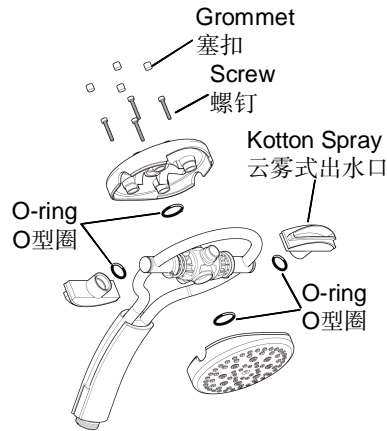
用 2.5mm 六角扳手 (客户自备)把四个螺钉拆下。

将上下盖拆下后,即可拆下云雾式出水口。

用白醋浸泡 30 分钟后即可清除污垢。

注意:确保 O 型圈的位置正确。

按顺序装回所有零件。



How to Clean the Kotton Spray

Use a suitable tool to remove the four grommets.

Using the 2.5mm hexagon wrench(not supplied), remove the four screws.

Separate the sprayplate assembly into its individual components.

Clean the kotton spray by soaking them in warm vinegar for 30 minutes.

NOTE: Make sure that the O-rings are located correctly.

Reassemble the components in reverse order.

清理说明

适用于所有加工处理过的表面:以中性肥皂水清洗镀层表面,再以干净的软布彻底擦干整个表面。许多清洁剂,比如氨水、去污粉及洁厕灵等,会对电镀表面造成伤害,切忌使用。

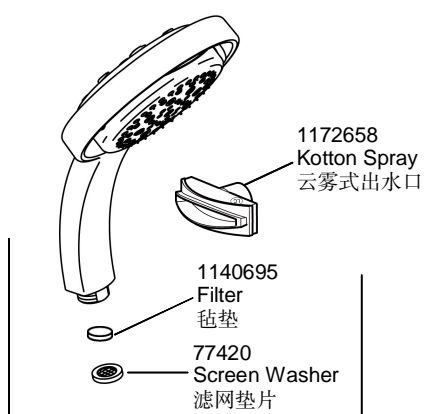
有磨损性的清洁用具或清洁剂也不可适用于科勒牌的水龙头及其配件上。

CLEANING INSTRUCTIONS

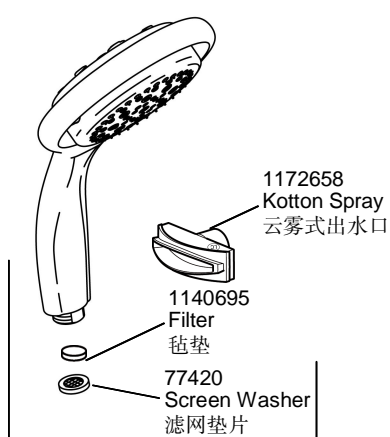
All Finishes: Clean the finish with mild soap and warm water. Wipe entire surface completely dry with clean soft cloth. Many cleaners may contain chemicals, such as ammonia, chlorine, toilet cleaner etc. which could adversely affect the finish and are not recommended for cleaning.

Do not use abrasive cleaners or solvents on Kohler faucets and fittings.

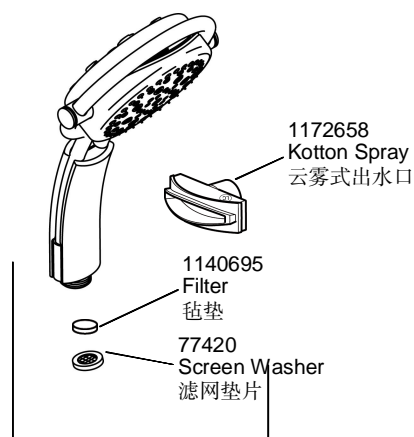
17492T 17493T 17494T 多功能手持花洒



1119918**
Handspray
手持花洒
(仅用于 17492T)



1119917**
Handspray
手持花洒
(仅用于 17493T)



1120863**
Handspray
手持花洒
(仅用于 17494T)

**订购时请说明颜色编号

**Color code must be specified when ordering.