

KOHLER®

INSTALLATION INSTRUCTIONS

BROOKFIELD EXECUTIVE CHEF

SELF-RIMMING ENAMELED CAST IRON SINK
K-17250K-1S/2S/3S/4S
K-17251K-1S/2S/3S/4S

BEFORE YOU BEGIN

Observe all local plumbing and building codes.

Before installation, unpack the new sink and inspect it for damage.

Inspect the waste and supply tubing; replace if necessary.



CAUTION: Risk of personal injury or product damage. Cast iron sinks are very heavy. Get help when lifting the sink into place.

For a replacement installation, make sure the existing

cutout is the same size or smaller than the cutout for the new sink. This sink is not intended for undercounter installation.

Please leave these instructions with the consumer; they contain important care, cleaning, and warranty information.



WARNING

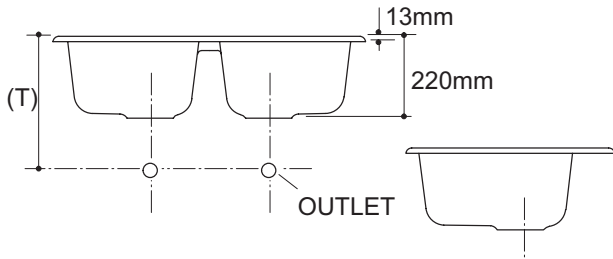
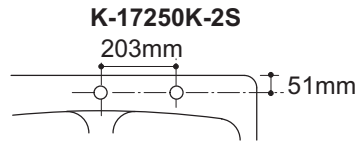
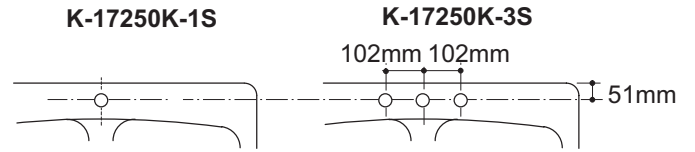
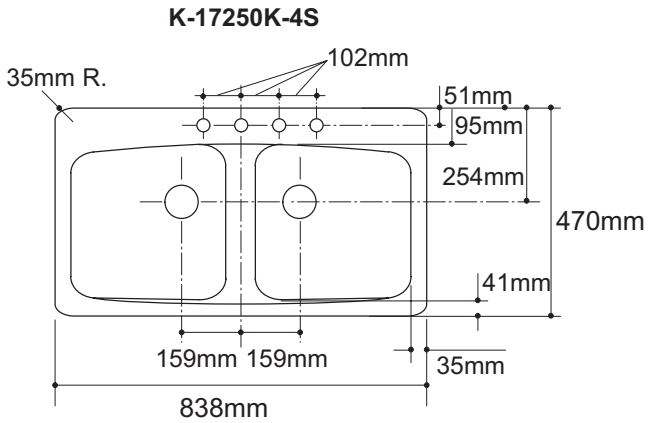
PRODUCT WEIGHT: 60KG.
BEFORE YOU INSTALL NEW SINK, PLEASE BUILD A PROPER STRUCTURE TO SUPPORT THE SINK.

RECOMMENDED TOOLS AND MATERIALS

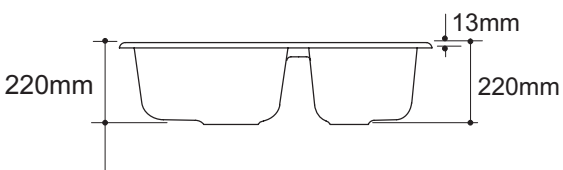
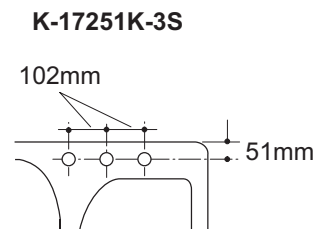
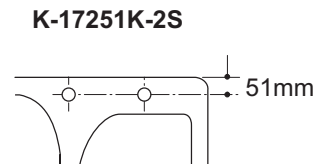
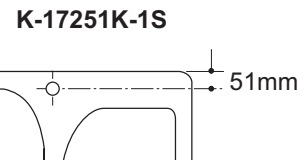
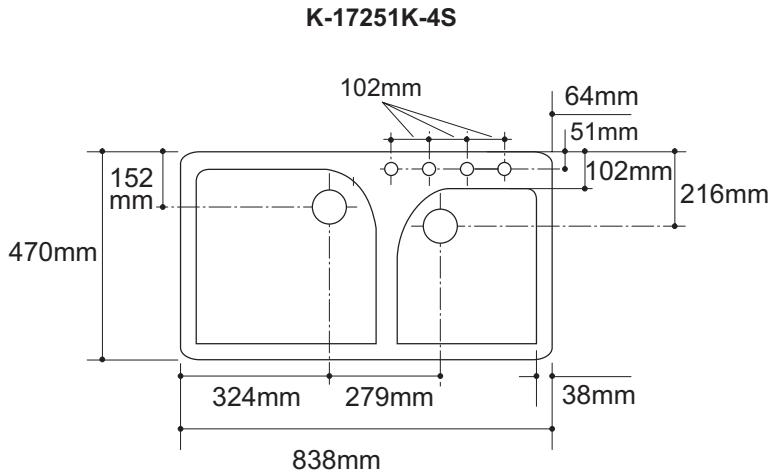
- Sealant
- Pencil
- Tape Measure
- Putty Knife
- Sharp Knife or Scissors
- Saber Saw or Keyhole Saw
- Drill and 13mm Drill Bit
- Safety Glasses
- Masking Tape
- Rags or Paper Toweling
- Pipe wrench

ROUGHING-IN

BROOKFIELD



EXECUTIVE CHEF



INSTALL THE NEW SINK

Check the desired sink location for clearance between the backsplash wall, faucet, fixture, and cabinet.

Position and trace the template on the countertop as directed on the template.

Drill a 13mm pilot hole on the inside of the cut line.

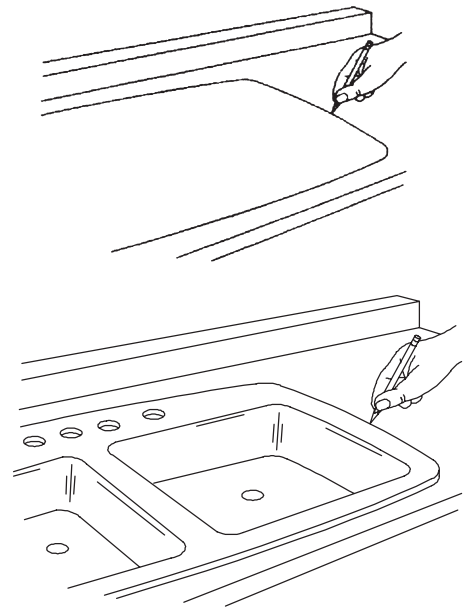
Cut out the countertop opening with a saber or keyhole saw.

⚠ CAUTION: Risk of personal injury or property damage. Cast iron sinks are very heavy. Get help lifting the sink.

Temporarily position the sink in the countertop opening. Verify the fit and position.

Trace a pencil line, or apply a border of masking tape around the outside edge of the sink.

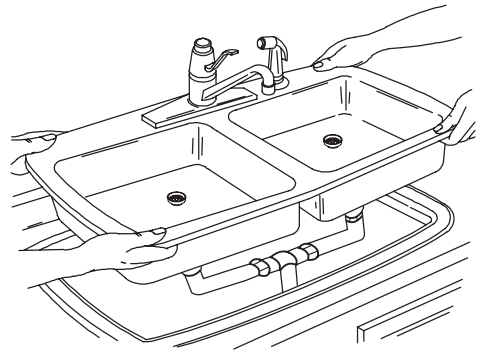
Remove the sink from the countertop opening.



IF THE FAUCET, STRAINER AND S-TRAP ARE NOT INSTALLED, INSTALL THEM AT THIS TIME. BE SURE TO FOLLOW ALL INSTRUCTIONS PACKED WITH THE PRODUCT.

Clean the countertop, and carefully position the sink in the countertop opening so the sink edges line up with the pencil line or masking tape border.

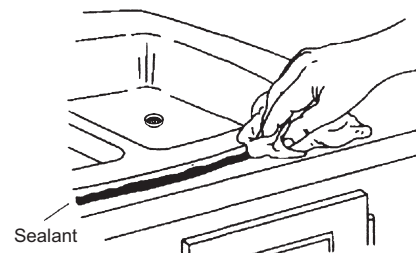
Apply a thin, continuous bead of quality sealant around the sink edges.



Immediately wipe away any excess sealant, and fill any voids as needed.

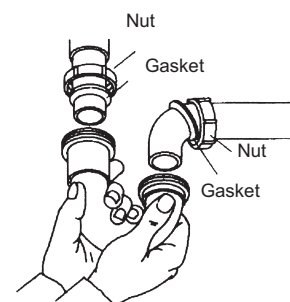
Verify that the sink has not moved out of position.

Allow the sealant to cure at least 30 minutes before proceeding.



SYSTEM DRAINAGE AND CONNECT SUPPLIES

- Please connect the faucet supply lines according to the installation instructions.
- Please connect the drain assembly according to the installation instructions.
- Open the faucet valves, and check for leakage.
- Clean up with a non-abrasive cleaner.



IMPORTANT CONSUMER INFORMATION

CARE AND CLEANING

- DO NOT use steel wool, abrasive sponge pads, wire brushes, or metal scrapers to clean a Kohler kitchen sink.
- DO NOT use high alkaline or strong acid cleaners.
- For stubborn stains such as metal marks, abrasive cleaners may be used sparingly. Follow cleaner manufacturer instructions very carefully. Avoid soaking dishes for long periods of time and refrain

from leaving coffee grounds and tea bags in the sink.

- Keep your cast iron sink looking new by rinsing it out thoroughly after each use.
- DO NOT regularly use abrasives on enameled cast iron, as this will eventually scratch and ruin the surface. Stubborn paint stains or tar can be removed with turpentine or paint thinner.

LIMITED ONE-YEAR WARRANTY

Kohler plumbing fixtures and fittings are warranted to be free of manufacturing defects.

Kohler Co. will, at its election repair, replace, or make appropriate adjustment where Kohler Co. inspection discloses any such defects occurring in normal usage within one year after installation. **Kohler Co. is not responsible for installation costs.**

To obtain warranty service, contact Kohler Co. either through your Dealer or Plumbing Contractor or by writing Kohler Co., Attn: Consumer Affairs Department, Kohler, WI 53044 U.S.A.

Implied warranties, including that of merchantability and fitness for a particular purpose, are expressly limited in duration to the duration of

this warranty. To the extent permitted by law, Kohler Co. disclaims all implied warranties including merchantability and fitness for a particular purpose. Kohler Co. disclaims any liability for special, incidental, or consequential damages.

Some states do not allow limitations on how long an implied warranty lasts or the exclusion or limitation of incidental or consequential damages, so this limitation and exclusion may not apply to you. This warranty gives you specific legal rights. You may also have rights which vary from state to state.

This is our exclusive written warranty.

Kohler Co., Kohler, Wisconsin 53044