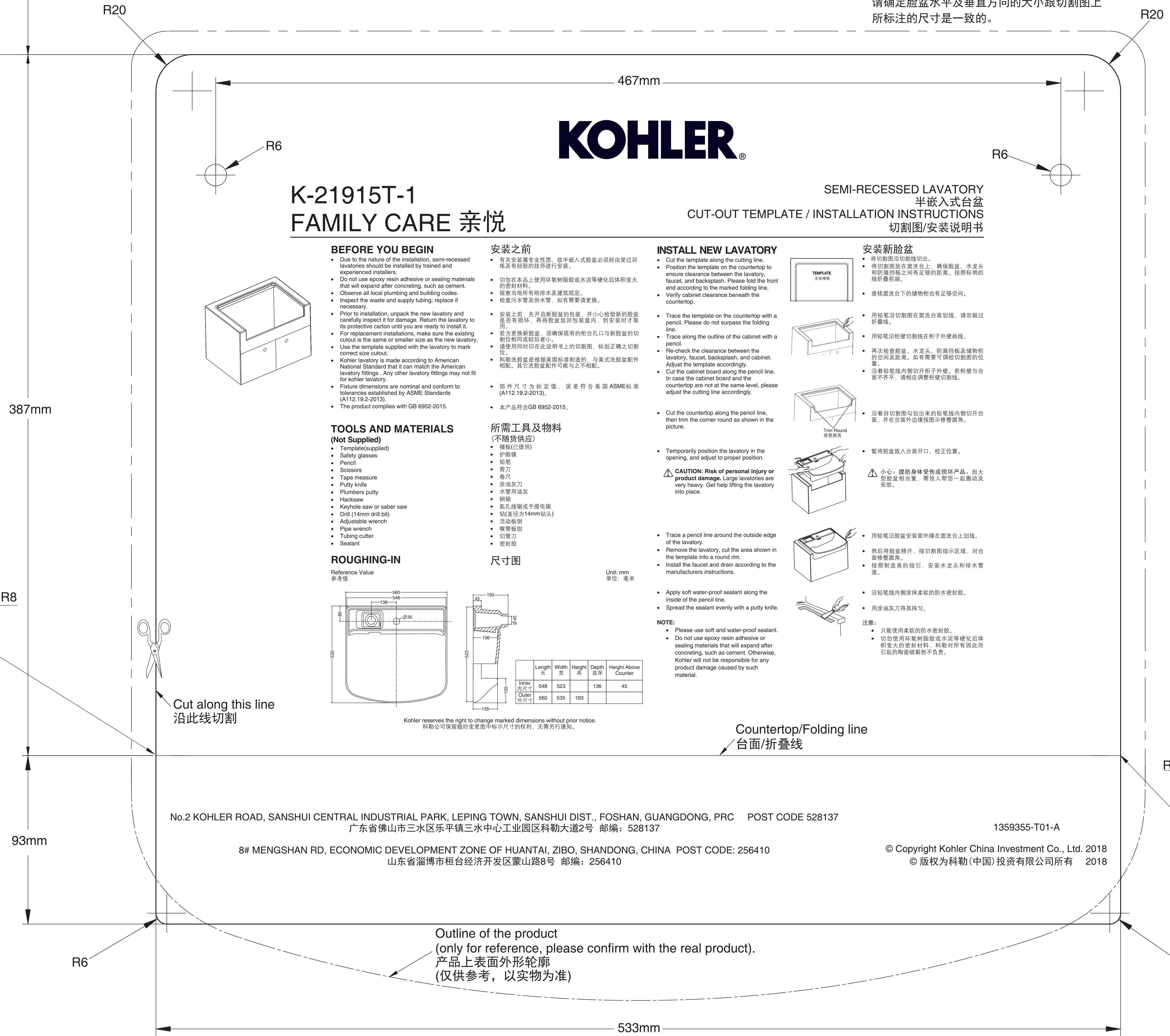


NOTE: Make sure enough installation clearance.
注意: 预留足够的安装空间。

FINISHED WALL/BACK SPLASH
完工墙面 / 后防溅挡板

WHEN PLOTTING TEMPLATE FULL SIZE:
Make sure horizontal and vertical dimensions
match the dimensions labeled on the template.
当按实际大小绘制切割图时,
请确定脸盆水平及垂直方向的大小跟切割图上
所标注的尺寸是一致的。

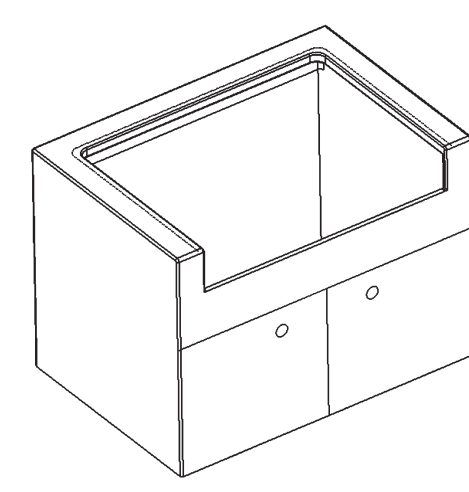


K-21915T-1 FAMILY CARE 亲悦

SEMI-RECESSED LAVATORY 半嵌入式台盆 CUT-OUT TEMPLATE / INSTALLATION INSTRUCTIONS 切割图/安装说明书

BEFORE YOU BEGIN

- Due to the nature of the installation, semi-recessed lavatories should be installed by trained and experienced installers.
- Do not use epoxy resin adhesive or sealing materials that will expand after concreting, such as cement.
- Observe all local plumbing and building codes.
- Inspect the waste and supply tubing; replace if necessary.
- Prior to installation, unpack the new lavatory and carefully inspect it for damage. Return the lavatory to its protective carton until you are ready to install it.
- For replacement installations, make sure the existing cutout is the same or smaller size as the new lavatory.
- Use the template supplied with the lavatory to mark correct size cutout.
- Kohler lavatory is made according to American National Standard that it can match the American lavatory fittings. Any other lavatory fittings may not fit for Kohler lavatory.
- Fixture dimensions are nominal and conform to tolerances established by ASME Standards (A112.19.2-2013).
- The product complies with GB 6952-2015.

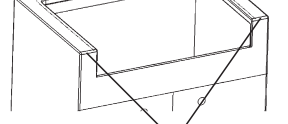
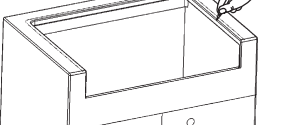


安装之前

- 有关安装专业性, 故半嵌入式脸盆必须由受过训练及有经验的技师进行安装。
- 切勿在本品上使用环氧树脂或水泥等硬化后体积变大的密封材料。
- 留意当地所有给排水及建筑规定。
- 检查污水管及供水管, 如有需要请更换。
- 安装之前, 先开启新脸盆的包装, 并小心检查脸盆是否有损坏, 再将脸盆放回包装盒内, 到安装时才取用。
- 若为更换新脸盆, 须确保现有的柜台孔口与新脸盆的切割位相同或较小。
- 请使用同时印在此说明书上的切割图, 标划正确之切割位。
- 科勒脸盆是根据美国标准制造的, 与美式洗脸盆配件相配。其它洗脸盆配件可能与之不相配。
- 部件尺寸为标称值, 误差符合美国 ASME 标准 (A112.19.2-2013)。
- 本产品符合 GB 6952-2015。

INSTALL NEW LAVATORY

- Cut the template along the cutting line.
- Position the template on the countertop to ensure clearance between the lavatory, faucet, and backsplash. Please fold the front end according to the marked folding line.
- Verify cabinet clearance beneath the countertop.
- Trace the template on the countertop with a pencil. Please do not surpass the folding line.
- Re-check the clearance between the lavatory, faucet, backsplash, and cabinet. Adjust the template accordingly.
- Cut the cabinet board along the pencil line. In case the cabinet board and the countertop are not at the same level, please adjust the cutting line accordingly.
- Cut the countertop along the pencil line, then trim the corner round as shown in the picture.
- Temporarily position the lavatory in the opening, and adjust to proper position.



安装新脸盆

- 将切割图沿切割线切出。
- 将切割图放在盥洗台上, 确保脸盆、水龙头及防溅挡板之间有足够距离。按照标明的线折叠前端。
- 查验盥洗台下的储物柜也有足够空间。
- 用铅笔沿切割图在盥洗台面上划线, 请勿越过折叠线。
- 用铅笔沿柜壁切割线在柜台外壁画线。
- 再次检查脸盆、水龙头、防溅挡板及储物柜的空间及距离, 如有需要可调整切割图的位置。
- 沿着铅笔线内侧切开柜台外壁, 若柜壁与台面不平整, 请相应调整壁切割线。
- 沿自切割图勾划出来的铅笔线内侧切开台面, 并在台面外边缘按图示修整圆角。
- 暂时将脸盆放入台面开口, 校正位置。

TOOLS AND MATERIALS (Not Supplied)

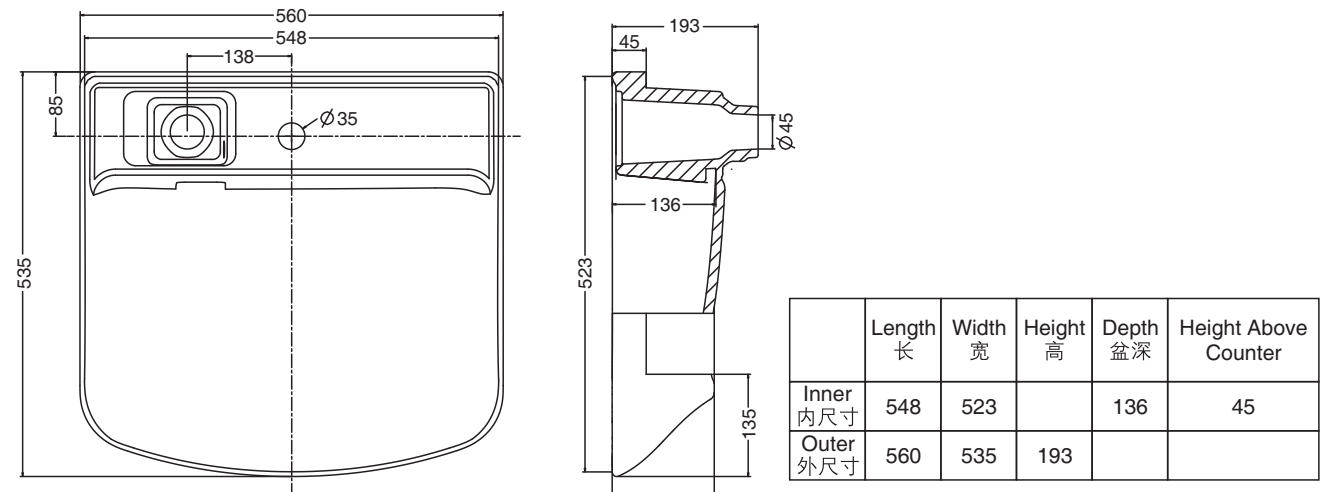
- Template (supplied)
- Safety glasses
- Pencil
- Scissors
- Tape measure
- Putty knife
- Plumbers putty
- Hacksaw
- Keyhole saw or saber saw
- Drill (14mm drill bit)
- Adjustable wrench
- Pipe wrench
- Tubing cutter
- Sealant

所需工具及物料 (不随货供应)

- 模板(已提供)
- 护眼镜
- 铅笔
- 剪刀
- 卷尺
- 涂油灰刀
- 水管用油灰
- 钢锯
- 匙孔锯或手锯
- 钻头(直径为14mm钻头)
- 活动扳钳
- 喉管扳钳
- 切管刀
- 密封胶

ROUGHING-IN

Reference Value
参考值



Kohler reserves the right to change marked dimensions without prior notice.
科勒公司保留随时变更图中标示尺寸的权利, 无需另行通知。

尺寸图

Unit: mm
单位: 毫米

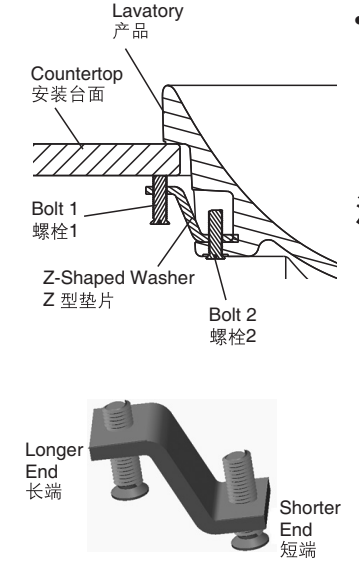
- Trace a pencil line around the outside edge of the lavatory.
- Remove the lavatory, cut the area shown in the template into a round rim.
- Install the faucet and drain according to the manufacturers instructions.
- Apply soft water-proof sealant along the inside of the pencil line.
- Spread the sealant evenly with a putty knife.

NOTE:

- Please use soft and water-proof sealant.
- Do not use epoxy resin adhesive or sealing materials that will expand after concreting, such as cement. Otherwise, Kohler will not be responsible for any product damage caused by such material.

Countertop/Folding line 台面/折叠线

- Carefully position the lavatory in the opening of the countertop and press down firmly. Mount the Z-shaped washer, bolt 2 and bolt 1 in sequence from bottom of the countertop.
- 小心地将脸盆置于台面开口适当位置, 向下按牢。从台面下部按顺序装入以下配件: Z型垫片, 螺栓2, 螺栓1。



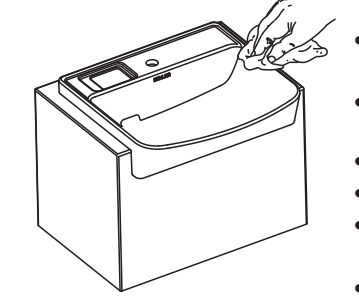
Note: Fix bolt 2 onto the lavatory with the shorter end of the Z-shaped washer. Then screw bolt 1 into the longer end of the Z-shaped washer against the countertop. Tighten all the above parts by hand. Do not over-tighten.

注意: 先把Z型垫片短端一侧用螺栓2和产品固定, 然后再把螺栓1旋入Z型垫片长端并顶紧台面; 以上安装动作, 只需手工上紧即可, 请勿过紧, 以免损坏陶瓷。

CAUTION: Risk of personal injury or product damage. Large lavatories are very heavy. Get help lifting the lavatory into place.

小心: 提防身体受伤或损坏产品。因大型脸盆相当重, 需找人帮忙一起搬动及安装。

- Immediately wipe away any excess sealant, and fill any voids as needed.
- Verify that the lavatory has not moved out of position.
- Allow the sealant to cure for at least 30 minutes before proceeding.
- Connect the faucet supply lines.
- Connect the drain assembly.
- Open the faucet valves, and check for leakage.
- Clean up with a non-abrasive cleaner.



- 立即擦去多余的密封胶, 如脸盆外缘与台面间有缝隙, 即用胶填密。
- 检查脸盆的位置准确。
- 最少待三十分钟, 让密封胶干透后, 方可继续安装。
- 连接水龙头供水管。
- 连接排水装置。
- 开启水龙头阀门, 检查有无渗漏。
- 用非腐蚀性清洁剂来清洁。

IMPORTANT CONSUMER INFORMATION (CARE AND CLEANING)

To keep your lavatory looking new, make sure you rinse it out thoroughly after each use. **DO NOT USE ABRASIVES** on this product, as they will scratch and ruin the surface. Stubborn stains, paint, or tar can be removed with turpentine or paint thinner.

用户须知 (护理和清洁)

为保持脸盆光洁如新, 须确保每次使用后彻底冲洗干净。切勿使用腐蚀性的清洁剂, 以免刮花及破坏脸盆的表面。要清除顽固污垢, 油漆或柏油, 可使用松油或油漆稀释剂。

Do not use the product in the water below 0°C.

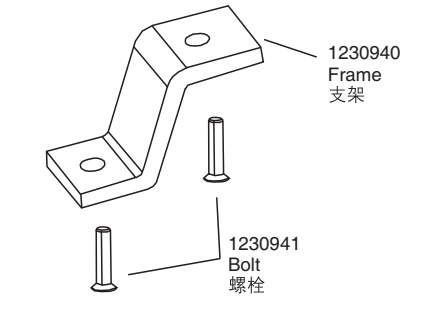
不要在0°C以下的水环境中使用。

CAUTION: Please do not use hard materials (like scouring pad) to clean product surface, especially the product logo.

警告: 请勿使用钢丝球等硬质材料擦洗产品表面, 特别是产品商标处。

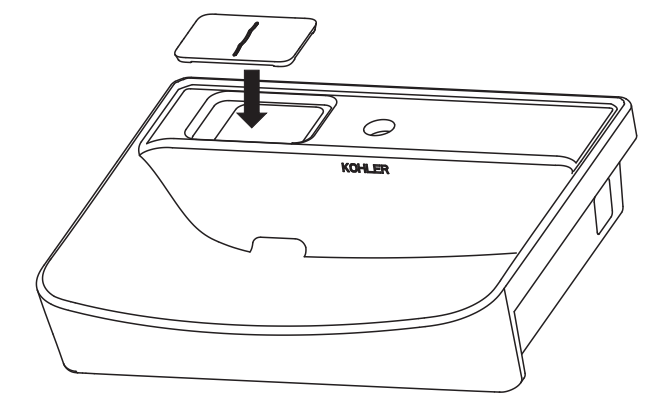
SERVICE PARTS

维修零件



Take out Deck assembly and place it at the designated place after installation is finished.

安装完毕台下盆后, 取出置物板放置于台下盆指定位置。



No.2 KOHLER ROAD, SANSHUI CENTRAL INDUSTRIAL PARK, LEPING TOWN, SANSHUI DIST., FOSHAN, GUANGDONG, PRC POST CODE 528137
广东省佛山市三水区乐平镇三水中心工业园科勒大道2号 邮编: 528137

8# MENGSHAN RD, ECONOMIC DEVELOPMENT ZONE OF HUANTAI, ZIBO, SHANDONG, CHINA POST CODE: 256410
山东省淄博市桓台经济开发区蒙山路8号 邮编: 256410

1359355-T01-A

© Copyright Kohler China Investment Co., Ltd. 2018
© 版权为科勒(中国)投资有限公司所有 2018

Outline of the product
(only for reference, please confirm with the real product).
产品上表面外形轮廓
(仅供参考, 以实物为准)