

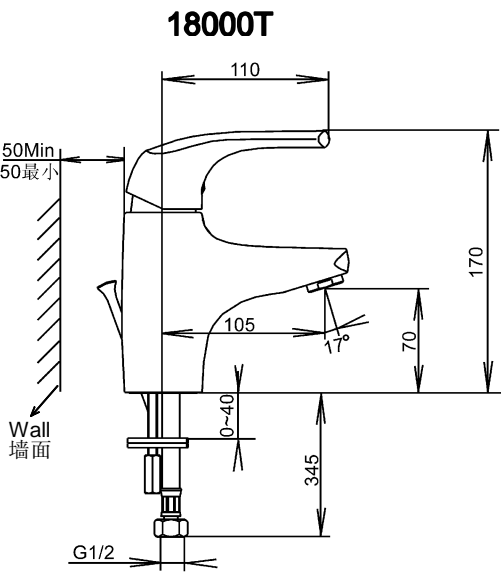
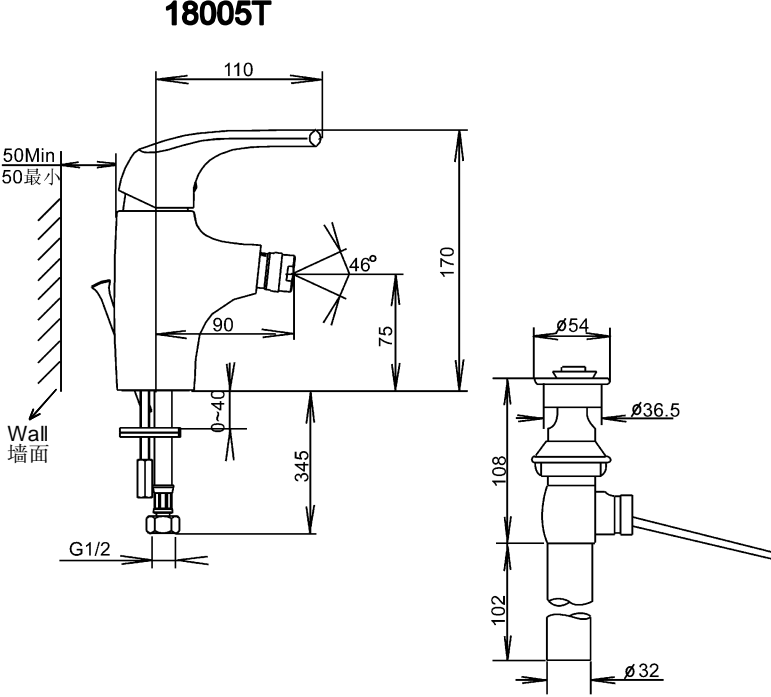
KOHLER®

INSTALLATION INSTRUCTIONS

安装说明书

纳帝奥
NATEO

单把/单控 Single Lever/Single Control

18000T 18005T	单孔面盆龙头 单孔净身盆龙头
安装之前	BEFORE YOU BEGIN
<p>所有的资料是按最新出版的产品资料编写而成。科勒公司保留任何时候不经通知即可改变产品特性、包装或产品可供类型的权利。</p> <p>说明书包括重要的安装、保养及清洁方面的内容，请把这些资料交给用户阅读。</p> <p>注意事项：</p> <ol style="list-style-type: none">一定要先彻底冲洗供水管以清除管道中的杂质。检查供水管有无损坏。如需要,进行替换。遵守当地管路安装条例。尽可能在安装面盆之前安装水龙头。	<p>All information is based on the latest product information available at the time of publication. Kohler Co. reserves the right to make changes in product characteristics, packaging, or availability at any time without notice.</p> <p>Please leave these instructions for the consumer. They contain important information.</p> <p>NOTES:</p> <ol style="list-style-type: none">Flush the water supply pipes thoroughly to remove debris.Inspect the supply tubing for damage. Replace as necessary.Observe local plumbing codes.If possible, install this faucet before installing the lavatory.
使用说明	HANDLE OPERATION
将手柄轻轻提起,向左转为热水,右转为冷水。	Lift the handle gently. Turn left for hot water, right for cold water.
安装尺寸	ROUGH-IN DIMENSIONS
	

北京科勒有限公司

1034992-AA/Rev00

中国北京市密云县果园西路27号 邮编:101500

1

安装步骤

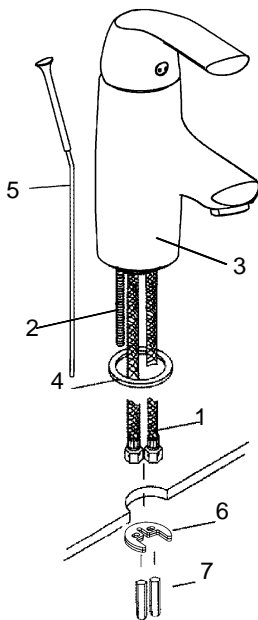
如何安装水龙头

若因维修或其他原因,拆下软管,装回时手动拧紧即可。将两固定螺栓(2)到水龙头底部(3)。

把垫圈(4)套进软管和固定螺栓上,并嵌入水龙头底盘的槽中。

把供水软管(1)插入面盆的孔中,调整水龙头的位置,从洗涤盆的下方把托架(6)套入固定螺栓(先套橡胶垫片),锁紧螺母(7)以固定水龙头。将提拉杆(5)插入龙头后部的提拉孔中。

把软管接到水源,当您面对水龙头时,左边为热水,右边为冷水。



INSTALLATION

How To Install The Faucet

If needed to take off the hoses to repair, reinstall and tighten them by hand. Install mounting studs(2) into the faucet body base(3).

Slide the washer(4) over the flexible hoses and mounting studs, and into the groove on the bottom of faucet body.

Insert the flexible hoses(1) into the lavatory hole. Position the faucet. From under side of the lavatory, fit the bracket(6) on the mounting studs with the rubber one first, and secure the faucet with the nut(7).

Insert the lift rod(5) into hole on the back of faucet.

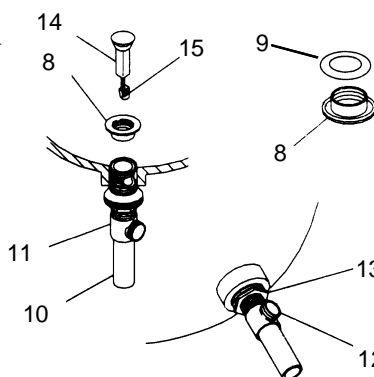
Attach the hoses to water supplies. When facing front of faucet, the left hose is hot water, the right hose is cold water.

如何安装提拉排水组件

将盘片(8)从排水本体(11)取下,在排水器盘片底部套上垫片(9)。用密封胶带(生料带)在排水器尾管(10)上缠几圈,装入排水本体(11)。把排水本体从下方插入洗面盆,排水杆口(12)朝后方,把排水器盘片旋入排水本体中,从下方用手拧紧锁紧螺母(13)。

把止水塞(14)放入排水本体中,调整止水塞末端的洞口(15)使其靠近并对正排水杆的洞口。

注: 如果需要,可直接在排水器盘片(8)底面沿周围涂上一圈密封油灰,而不使用垫片(9)。



How To Install The Drain

Remove flange(8) from drain body. Slide the washer(9) onto the underside of the drain flange. Apply thread tape to tailpiece(10).

Install to drain body(11). Insert drain body into underside of lavatory with drain lever hole(12) facing to the back of lavatory and thread flange(8) onto drain body until hand tight.

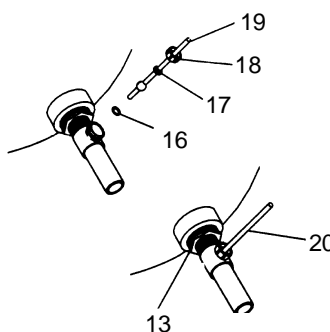
Tighten the locknut(13) by hand from the underside of the fixture. Place stopper(14) into drain body aligning the flat side of stopper hole(15) with the drain lever hole.

NOTE: If needed apply a ring of plumbers putty around the underside of the drain flange(8), instead of using washer(9).

将橡胶垫圈(16)装进排水杆的洞口里,再把另一个塑料垫圈(17)和固定螺母(18)套进杆子长的一端(19)。把球动杆组件(20)插入排水杆的洞口中并穿过止水塞,拧紧固定螺母(18)。

确定球动杆指向洗面盆后方,再次拧紧排水本体的锁紧螺母(13),去除多余的油灰。

注意: 在锁紧螺母旋紧后,不要再调整排水本体的位置,否则会破坏油灰密封。

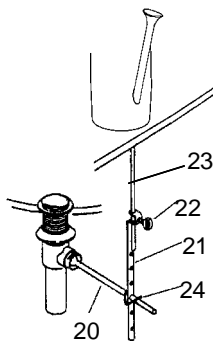


Place the rubber washer(16) into the drain lever hole. Put another plastic washer(17) and retaining nut(18) into the long end of ball lever rod(19). Insert the ball lever assembly(20) into the drain lever hole and through the stopper hole, and tighten the retaining nut(18).

Be sure that the ball lever points to the back of the lavatory. Tighten the locknut(13) onto the drain body. Remove any excess putty.

NOTE: Do not reposition the drain after the locknut is tightened, or you may break the putty seal.

把手捻螺丝(22)装到联杆(21)中。
用 V 形夹(24)将联杆接在球动杆(20)上,将提拉杆(23)插入水龙头及联杆的孔中,调整提拉杆的位置(将球动杆往下推至排水组件全开位置,调整提拉杆使提拉杆头与台面高度控制在 70~75mm)。



Assemble thumb screw(22) to link(21), and link onto ball lever rod(20) with "V"-clip(24). Slide lift rod(23) through hole in faucet and into the hole in link. Position the lift rod (Push the ball lever down into the open position, and adjust the lever to make sure the height between lift rod and table is controlled within the range of 70~75mm). Tighten thumb screw.

拧紧手捻螺丝。

安装结果检查

INSTALLATION CHECKOUT

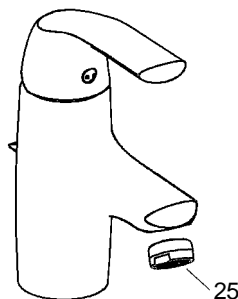
检查并确保所有的衔接处都已拧紧。确保把手在“关”的位置。

Ensure that all connections are tight. Ensure that the handles are in the off position.

打开排水系统和主要供水源,检查并修理有漏水的接口。

Open the drain. Turn on main water supply and check for leaks. Repair as required.

用扳手将起泡器(25)拆下,打开水龙头的冷热水,让水流出一分钟以清除杂质。冲洗起泡器,在关闭水龙头后,重新装回起泡器。



Remove aerator assembly(25) by wrench. Turn the faucet handle on and run hot and cold water through spout for about a minute to remove any debris. Remove any debris from aerator assembly. Shut faucet off and reinstall aerator assembly.

清理说明

CLEANING INSTRUCTIONS

适用于所有加工处理过的表面:以中性肥皂水清洗镀层表面,再以干净的软布彻底擦干整个表面,许多清洁剂,比如氨水、去污粉及洁厕灵等,会对电镀表面造成伤害,切忌使用。

All Finishes: Clean the finish with a mild soap and warm water. Wipe entire surface completely dry with a clean soft cloth. Many cleaners may contain chemicals, such as ammonia, chlorine, toilet cleaner etc, which could adversely affect the finish and are not recommended for cleaning.

有磨损性的清洁用具或清洁剂也不可适用于科勒牌的水龙头及其配件上。

Do not use abrasive cleaners or solvents on Kohler faucets and fittings.

18000T
18005T

单孔面盆龙头
单孔净身盆龙头

