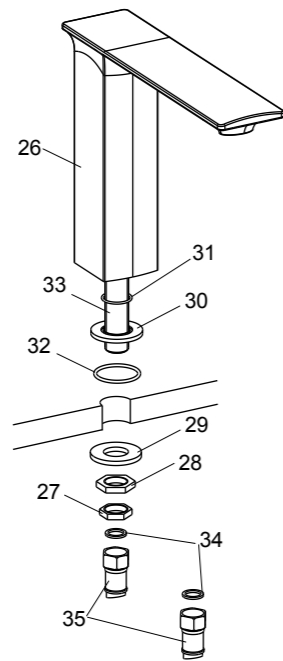


**对于14775T-4  
如何安装出水口**

从出水口组件(26)上,依次取下螺母(27)、螺母(28)、垫片(29)和金属垫片(30)。将O型圈(31)、(32)分别嵌入金属垫片(30)的上部凹槽和底部凹槽中,将装有O型圈的金属垫片通过牙管(33)装在出水口组件底部,然后将出水口装于浴缸安装孔中。



从浴缸下方依次安装垫片(29)、螺母(28)和螺母(27)。调整出水口位置,使出水口朝向正前方。拧紧螺母(28)和(27),固定出水口组件。

将垫片(34)装入软管(35)接头,用软管连接阀体组件接头(4)和出水口组件牙管。

**For 14775T-4  
How to Install the Spout**

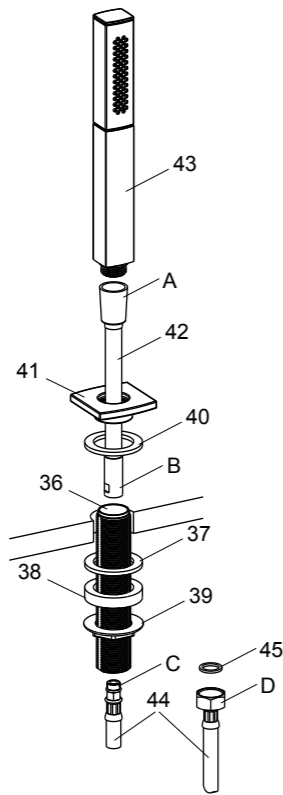
Remove the parts from the spout kit(26) and retain them according to the following order: nut(27), nut(28), washer(29) and metal washer(30). Slide the o-ring(31) into the top groove of the metal washer(30), slide the o-ring(32) into the bottom groove of the metal washer(30), install the metal washer with o-rings to the bottom of the spout kit through the shank(33), then fit the spout kit to the hole of the bath tub.

From underside of the bath tub, install the washer(29), nut(28), nut(27). Position the faucet so that the spout points to the front. Secure the spout kit by tightening nut(28) and nut(27).

Install the washers(34) into the connector of hoses(35), connect the connector(4) of valve kit and the shank of spout kit with the hose.

**对于14774T-4  
如何安装手持花洒**

从牙管(36)上依次取下垫片(37)、垫片(38)和螺母(39)。将垫片(40)嵌入装饰盖(41)底部凹槽,将装饰盖装到牙管上并拧紧,然后将牙管装于浴缸安装孔中。



从浴缸下方依次安装垫片(37)、垫片(38)和螺母(39)。调整装饰盖位置,使两圆弧边上下对称。拧紧螺母(39)。

将软管(42)接头(A)与花洒(43)连接,接头(B)与软管(44)接头(C)连接。将垫片(45)装入软管(44)接头(D),然后与切换器组件接头(25)连接。

**For 14774T-4  
How to Install the Handshower**

Remove the parts from the shank(36) and retain them according to the following order: washer(37), washer(38) and nut(39). Slide the washer(40) into the bottom groove of the escutcheon(41), install the escutcheon with washer to the shank and tighten it, then fit the shank to the hole of the bath tub.

From underside of the bath tub, install the washer(37), washer(38), nut(39). Position the escutcheon so that two arc edges are symmetrical up and down. Tighten the nut(39).

Connect the connector(A) of the hose(42) to the handshower(43), connect the other connector(B) of the hose(42) to the connector(C) of the hose(44). Install the washers(45) into the connector(D) of hose(44), then connect to the connector(25) of the diverter kit.

**KOHLER®**

**INSTALLATION INSTRUCTIONS**

**安装说明书**

**思丹  
STANCE**

**Deck Mount Bath & Shower Faucet**

**14774T-4 缸边(台面)式浴缸花洒龙头**  
**14775T-4 缸边(台面)式浴缸龙头**

**安装之前**

所有的资料是按最新发布的产品资料编写而成。科勒公司保留任何时候不经通知即可改变产品特性、包装或产品可供类型的权利。

说明书包括重要的安装、保养及清洁方面的内容,请把这些资料交给用户阅读。

**注意事项:**

1. 一定要先彻底冲洗供水管以清除管道中的杂质。
2. 检查供水管有无损坏。如需要,进行替换。
3. 遵守当地管路安装条例。
4. 尽可能在安装浴缸之前安装水龙头。
5. 切换器正常工作的最小压力为0.05MPa(0.5bar)。

6. 花洒最高工作压力: 0.5MPa(5bar)。水压超过0.5MPa(5bar)须安装减压阀。花洒最高工作温度及环境温度: 60°C。请特别注意花洒同花洒连接的臂管须远离浴霸,否则可能损坏花洒及其密封件,甚至对使用者造成伤害。

**BEFORE YOU BEGIN**

All information is based on the latest product information available at the time of publication. Kohler Co. reserves the right to make changes in product characteristics, packaging, or availability at any time without notice.

Please leave these instructions for the consumer. They contain important information.

**NOTES:**

1. Flush the water supply pipes thoroughly to remove debris.
2. Inspect the supply tubing for damage. Replace as necessary.
3. Observe local plumbing codes.
4. If possible, install this faucet before installing the bath.
5. The minimum inlet water pressure for the diverter is 0.05MPa(0.5bar).
6. The highest working pressure for spray is 0.5MPa(5 bar). If it exceeds 0.5MPa(5 bar), a pressure reducer is needed. The highest water and environment temperature is 60°C. Please keep handspray, shower head and the shower arm away from heater, or it may become damaged and cause injury to the user.

**使用说明**

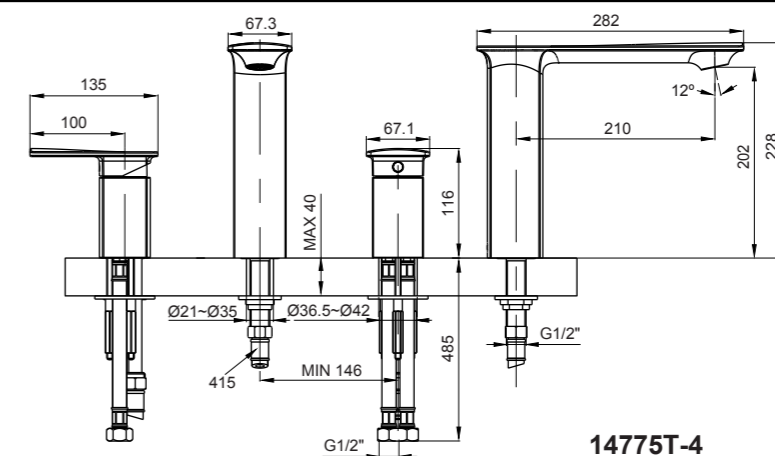
将手柄轻轻提起,向左转为热水,向右转为冷水。

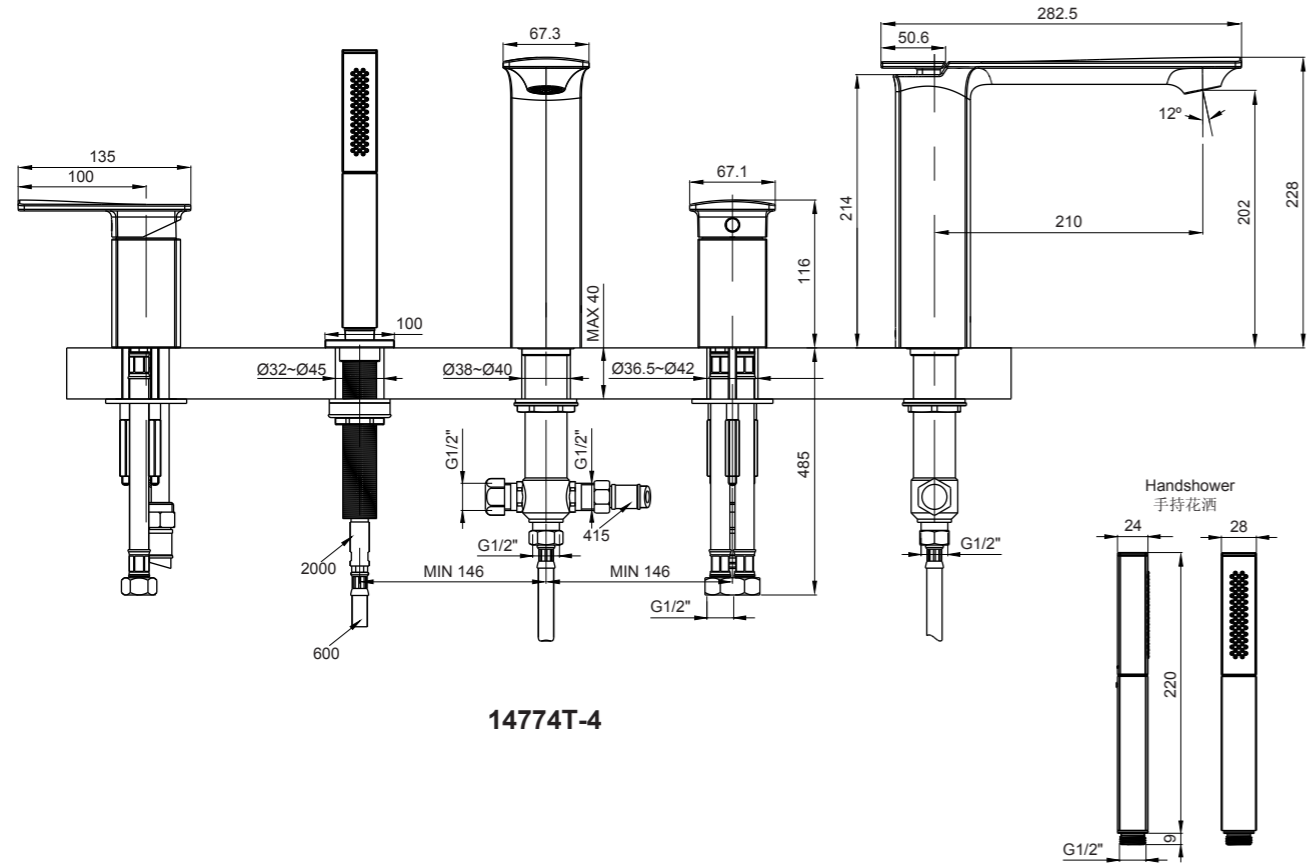
**HANDLE OPERATION**

Lift the handle gently. Turn left for hot water, turn right for cold water.

**安装尺寸**

**ROUGH-IN DIMENSIONS**





14774T-4

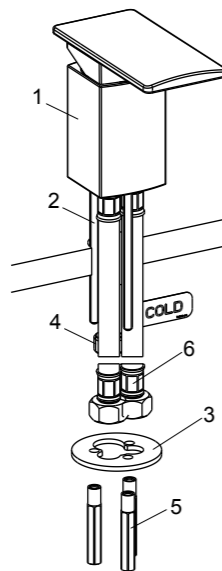
## 安装步骤

### 如何安装阀体组件

将固定组件中的固定螺栓(1)装在阀体组件(2)底部螺纹孔, 将阀体组件插入浴缸安装孔中。

从浴缸下方安装垫片(3)。调整好阀体组件的位置, 使得阀体组件接头(4)位于正后方。将螺母(5)拧在固定螺栓(2)上并锁紧。

把软管(6)接到水源上, 带有“COLD”标志的软管接冷水。



## INSTALLATION

### How to Install the Valve Kit

Screw the studs(1) to the screw holes of the valve kit(2) bottom, fit the valve kit to the hole of the bath tub.

From underside of the bath tub, install the washer(3). Position the valve kit so that the connector of the valve kit is on the back. Screw the nuts(5) to the studs(2) and tighten them onto the studs.

Attach the hoses(6) to water supplies. The hose with “COLD” mark connects to cold water.

## 对于14774T-4 如何安装出水口

从切换器组件(7)上旋下螺母(8), 将垫片(9)和螺母(10)置于切换器组件下方位置。将O型圈(11)嵌入螺母(8)底部凹槽中。从台面下方将切换器组件装于浴缸安装孔, 使其尽可能多地伸出台面。重新装回带有O型圈的螺母(8)并拧紧。调整切换器组件位置, 使得螺母(12)在左边。拧紧螺母(10), 固定切换器组件。

从水口组件(13)上取下塞扣组件(14), 用六角扳手(15)拧松紧固螺钉(16)直至切换器组件可以装入出水口组件。将切换器组件装入出水口组件, 调整出水口位置, 使出水口朝向正前方。用六角扳手拧紧紧固螺钉, 安装塞扣组件。

用六角扳手(17)拧松提拉头组件(18)内的紧固螺钉(19)直至取下螺钉(20)。用一字扳手将螺钉(20)拧入提拉杆(21), 使螺钉(20)与出水口组件(13)上表面的距离为1.5mm。将提拉头组件套在螺钉上, 用六角扳手拧紧紧固螺钉, 固定提拉头。

将垫片(22)装入软管(23)接头内, 然后用软管连接阀体组件接头(4)和切换器组件接头(24)。

**注意:** 安装螺钉(20)时, 确保螺钉(20)与出水口组件(13)上表面的距离为1.5mm。

## For 14774T-4 How to Install the Spout

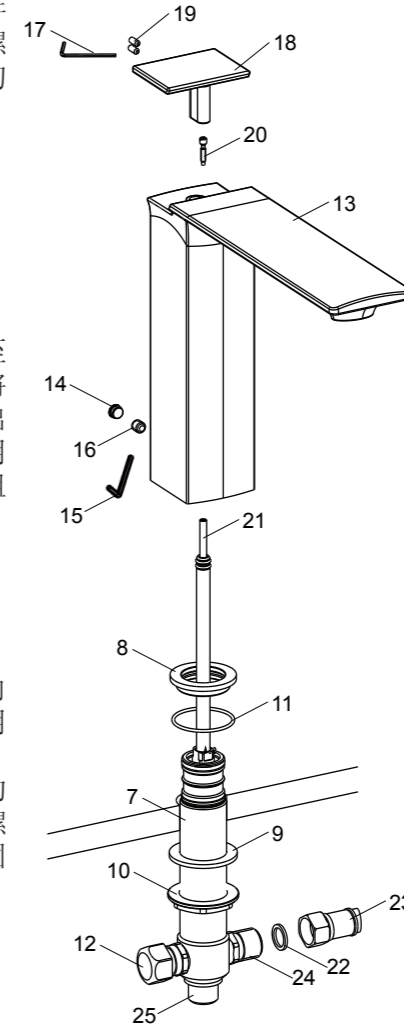
Remove the nut(8) from the diverter kit(7), put the washer(9) and nut(10) to the lower location of the diverter kit. Slide the o-ring(11) into the bottom groove of the nut(8). From underside of the bath tub, insert the diverter kit into the hole of bath tub and put out it as much as possible. Reinstall the nut(8) with o-ring and tighten it. Position the diverter kit so that the nut(12) is on the left. Tighten the nut(10).

Remove the plug kit(14) from the spout kit(13), unscrew the setscrew(16) with hex wrench(15) until the diverter kit can insert into the spout kit. Insert the diverter kit into the spout kit, position the spout kit so that the spout points to the front. Tighten the setscrew with hex wrench, install the plug assemble.

Unscrew the setscrew(19) of the lift rod knob assembly(18) with hex wrench(17) until removing the screw(20). Threaded the screw into the lift rod(21) with flat blade screw driver. the distance is 1.5mm from the top of the screw(20) to the top of the spout kit. Slide the lift rod knob onto the screw, tighten the setscrew with hex wrench.

Install the washer(22) into the connector of hose(23), then connect the connector(4) of valve kit and the connector of diverter kit (24)with the hose.

**NOTE:** When install the screw(20), Ensure the distance is 1.5mm from the top of the screw(20) to the top of the spout kit(13).



## 安装结果检查

检查并确保所有的衔接螺母都已拧紧，确保把手在关的位置。

打开排水器和主要供水源，检查并修理有漏水的接口。

### 对于14774T-4 浴缸花洒龙头

取下花洒，打开冷热水，让水流约一分钟以清除杂质。检查渗漏，关闭水源，装回花洒。

### 对于14775T-4 浴缸龙头

打开冷热水，让水流约一分钟以清除杂质。检查渗漏，关闭水源。

## INSTALLATION CHECKOUT

Ensure that all coupling nuts are tight. Ensure that the handle is in the off position.

Turn on the drain and main water supply, and check for leaks. Repair as needed.

### For 14774T-4 Bath & Shower Faucet

Remove the handshower. Turn on faucet handle. Run hot and cold water through spout about one minute to remove any debris. Check for leaks at this time. Remove any debris. Shut off the faucet. Reinstall the handshower.

### For 14775T-4 Bath Faucet

Turn on faucet handle. Run hot and cold water through spout about one minute to remove any debris. Check for leaks at this time. Remove any debris. Shut off the faucet.

## 清洗说明

适用于所有加工处理过的表面：以中性肥皂水清洗镀层表面，再以干净的软布彻底擦干整个表面，许多清洁剂，比如氨水、去污粉及洁厕灵等，会对电镀表面造成伤害，切忌使用。

有磨损性的清洁用具或清洁剂也不可使用时科勒牌的水龙头及其配件上。

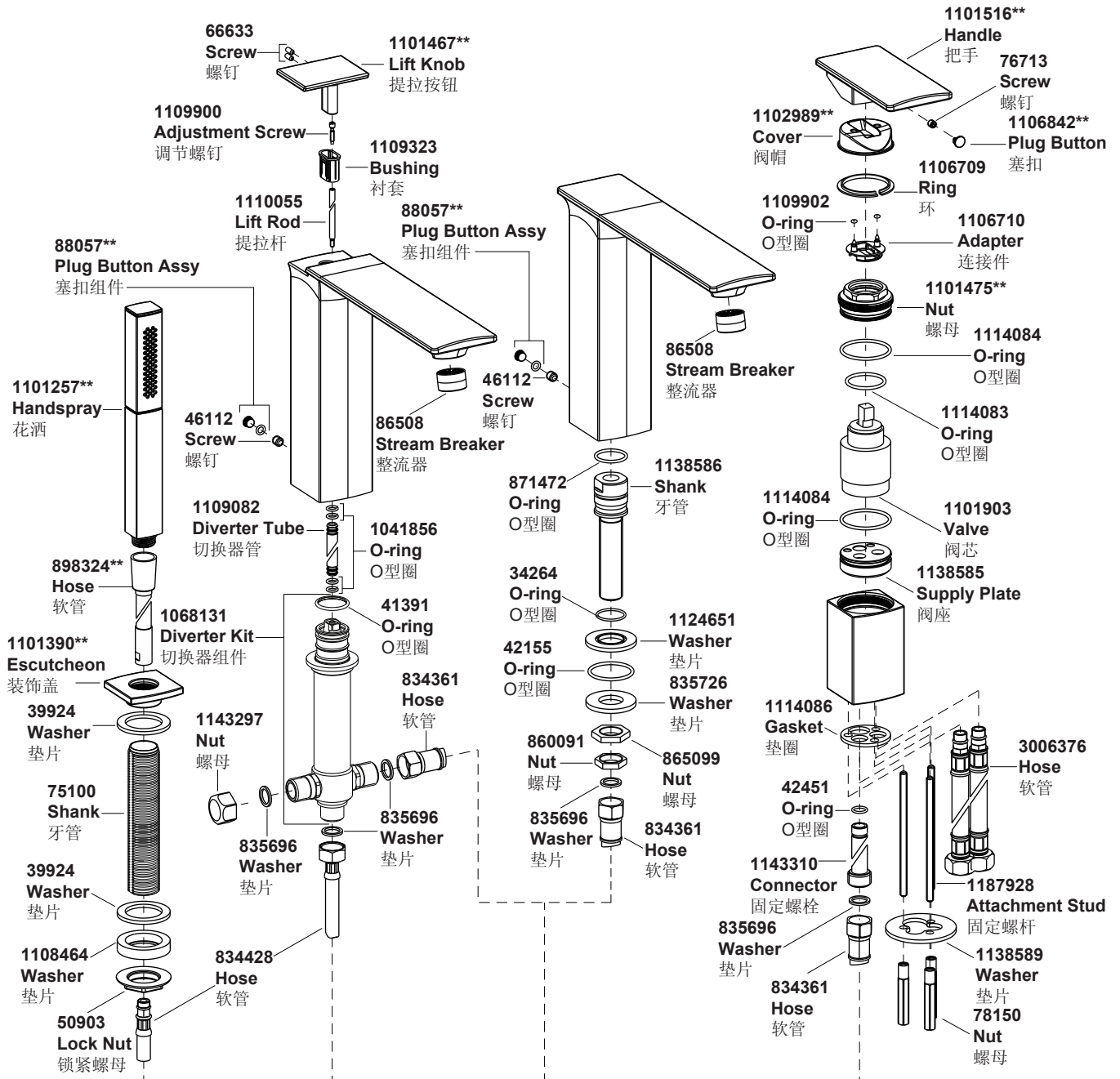
## CLEANING INSTRUCTIONS

All Finishes: Clean the finish with mild soap and warm water. Wipe entire surface completely dry with clean soft cloth. Many cleaners may contain chemicals, such as ammonia, chlorine, toilet cleaner etc, which could adversely affect the finish and are not recommended for cleaning.

Do not use abrasive cleaners or solvents on Kohler faucets and fittings.

## Deck Mount Bath & shower Faucet

14774T-4 缸边(台面)式浴缸花洒龙头  
14775T-4 缸边(台面)式浴缸龙头



\*\*订购时请说明颜色编号

\*\*Color code must be specified when ordering