

# KOHLER®

## INSTALLATION INSTRUCTIONS

### 安装说明书

# 菲尔法斯 FAIRFAX

### 单把/单控 Single Lever / Single Control

#### 安装之前

所有的资料是按最新出版的产品资料编写而成。科勒公司保留任何时候不经通知即可改变产品特性、包装或产品可供类型的权利。说明书包括重要的安装、保养及清洁方面的内容,请把这些资料交给用户阅读。

#### 注意事项:

1. 一定要先彻底冲洗供水管以清除管道中的杂质。
2. 如果是安装新的洗面盆,可将水龙头和排水组件先装到面盆上。

#### BEFORE YOU BEGIN

All information is based on the latest product information available at the time of publication. Kohler Co. reserves the right to make changes in product characteristics, packaging, or availability at any time without notice. Please leave these instructions for the consumer. They contain important information.

#### Notes:

1. Flush the water supply pipes thoroughly to remove debris.
2. For new installations, assemble faucet and drain to lavatory before installing lavatory.

#### 使用说明

将手柄轻轻提起,向左转为热水,右转为冷水。

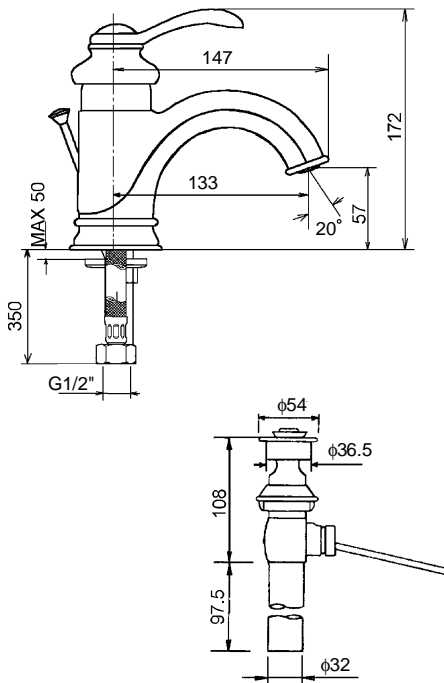
#### HANDLE OPERATION

Lift the handle gently. Turn left for hot water, right for cold water.

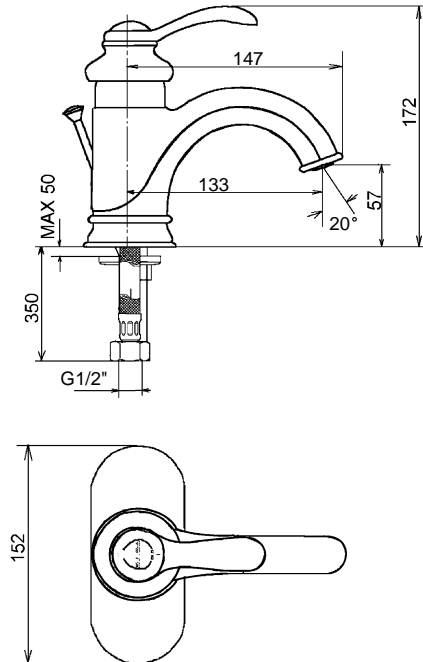
#### 安装尺寸

#### ROUGH-IN DIMENSIONS

#### 8657T 单孔面盆龙头



#### 8656T 4寸中孔面盆龙头

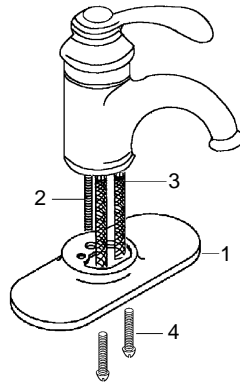


## 安装步骤

### 如何安装装饰盖 (三孔面盆龙头)

将装饰盖(1)穿过软管(3)和固定螺栓(2)安装到龙头底部。然后用螺钉(4)将其固定到龙头上并用螺丝刀拧紧。

在装饰盖底面沿周围涂上一圈密封油灰。



## INSTALLATION

### How To Install The Escutcheon (Three-hole Lavatory)

Put the escutcheon(1) to the bottom of the faucet through the hoses(3)and the mounting stud(2). Then fixup it to the faucet with screws(4) and tighten the screws with a screwdriver .

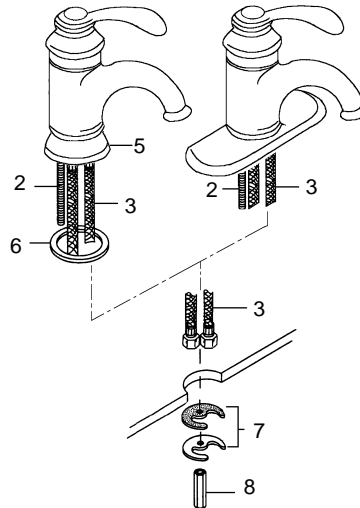
Apply a ring of plumbers putty on the underside of the escutcheon.

### 如何安装水龙头

把垫圈(6)(仅用于 8657T)通过软管(3)和固定螺栓(2),装到水龙头装饰盖(5)的底部。

把供水软管(3)插入洗涤盆的孔中,调整水龙头的位置,从洗涤盆的下方把托架(7)套入固定螺栓,并用螺母(8)上紧以固定水龙头。

去除多余油灰。



### How To Install The Faucet

Put the washer(6)(only for 8657T) into on the bottom of the escutcheon(5) of the faucet body through the flexible hoses(3) and mounting stud(2).

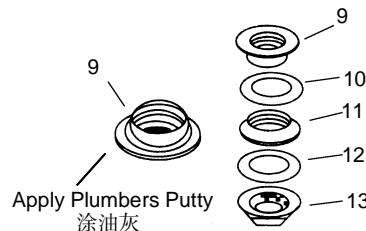
Insert the flexible hoses(3)into the sink hole. Position the faucet. From underside of the sink, fit the bracket(7)on the threaded stud, and secure the faucet with the nut(8).

Remove any excess putty.

### 如何安装排水器

在排水器盘片(9)底面套上垫片(10)。把锁紧螺母(13)、垫片(12)和垫圈(11,小面朝上)套在排水本体上。把排水本体由底下插入洗面盆,排水杆口朝后方。

**注:** 如果需要,可直接在排水器盘片(9)底面沿周围涂上一圈密封油灰,而不使用垫片(10)。



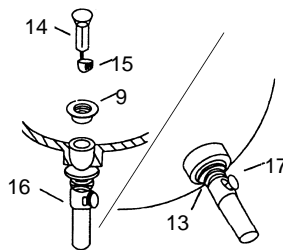
### How To Install The Drain

Slide the washer(10)onto the underside of the drain flange(9). Slide the locknut (13), washer(12), and gasket(11, tapered side up) onto the drain body. Insert the drain body into the underside of the lavatory with the drain lever hole facing the rear.

**NOTE:** If needed apply a ring of plumbers putty around the underside of the drain flange(9), instead of using washer(10).

把排水器盘片(9)旋入排水本体(16)中。从下方用手拧紧锁紧螺母(13)。

把止水塞(14)放入排水本体中,调整以使止水塞末端的洞口(15)靠近并对正排水杆的洞口(17)。



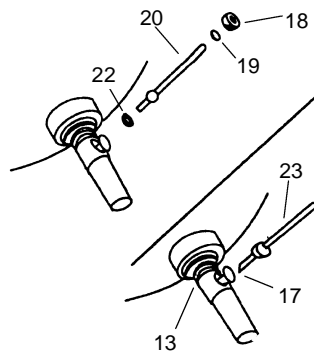
Thread the drain flange(9) onto the drain body(16). Tighten the locknut(13) by hand from the underside of the fixture.

Place stopper(14) into drain body aligning the flat side of stopper hole (15) with the drain lever hole(17).

把塑料垫片(19)、橡胶垫片(22)及固定螺母(18)装在球杆(20)上,再把球杆组件(23)插入排水杆的洞口(17)中并穿过止水塞,拧紧固定螺母(13)。

球杆指向面盆后方,并拧紧排水本体上的锁紧螺母,去除多余的油灰。

**注意:** 在锁紧螺母转紧后,不可调整排水本体的位置,否则会破坏油灰密封。

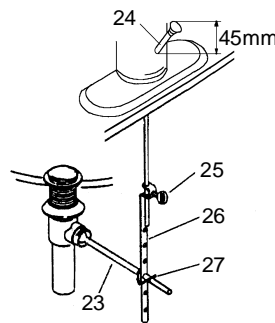


Fit the plastic washer(19), rubber washer(22), and retaining nut(18) onto the ball lever(20). Insert the ball lever assembly(23) into the drain lever hole (17) and through the stopper hole, and tighten the retaining nut(13).

Be sure that the ball lever points to the back of the lavatory, tighten the locknut on the drain body. Remove any excess putty.

**NOTE:** Do not reposition the drain after the locknut is tightened, or you may break the putty seal.

把手捻螺丝(25)装到连杆(26)中。用V形夹(27)将连杆接在球动杆组件(23)上,将提拉杆(24)插入水龙头及连杆的孔中。将球杆往下推到排水器全开的位置,调整提拉头,使得提拉头高出提拉孔约45毫米,拧紧手捻螺丝。



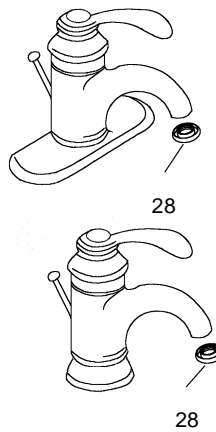
Assemble thumb screw(25) to link (26), and link onto ball lever rod assembly (23) with "V"-clip (27). Slide lift rod (24) through hole in faucet and into the hole in link. Then push the ball lever down into the open position. Adjust the lift rod knob so that it is 45mm above the lift rod hole. Tighten thumb screw.

## 安装结果检查

检查并确保所有的衔接螺母都已拧紧。确保把手在“关”的位置。

打开排水器和主要供水源,检查并修理有漏水的接口。

将起泡器(28)卸下,打开水龙头的冷热水,让水流出约一分钟以清除杂质,检查渗漏。冲洗起泡器,关闭水龙头后,重新装回起泡器。



## INSTALLATION CHECKOUT

Ensure all coupling nuts are tight. Ensure that handles are in the off position.

Turn on main water supply and check for leaks. Repair as required.

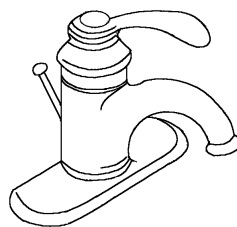
Remove aerator assembly (28). Turn faucet handles on and run hot and cold water through spout for about a minute to remove any debris. Check for leaks at this time. Remove any debris from aerator assembly. Shut the faucet off and reinstall aerator assembly.

## 清理说明

适用于所有加工处理过的表面:

以中性肥皂水清洗镀层表面,再以干净的软布彻底擦干整个表面。许多清洁剂,比如氨水、去污粉及洁厕灵等,会对电镀表面造成伤害,切忌使用。

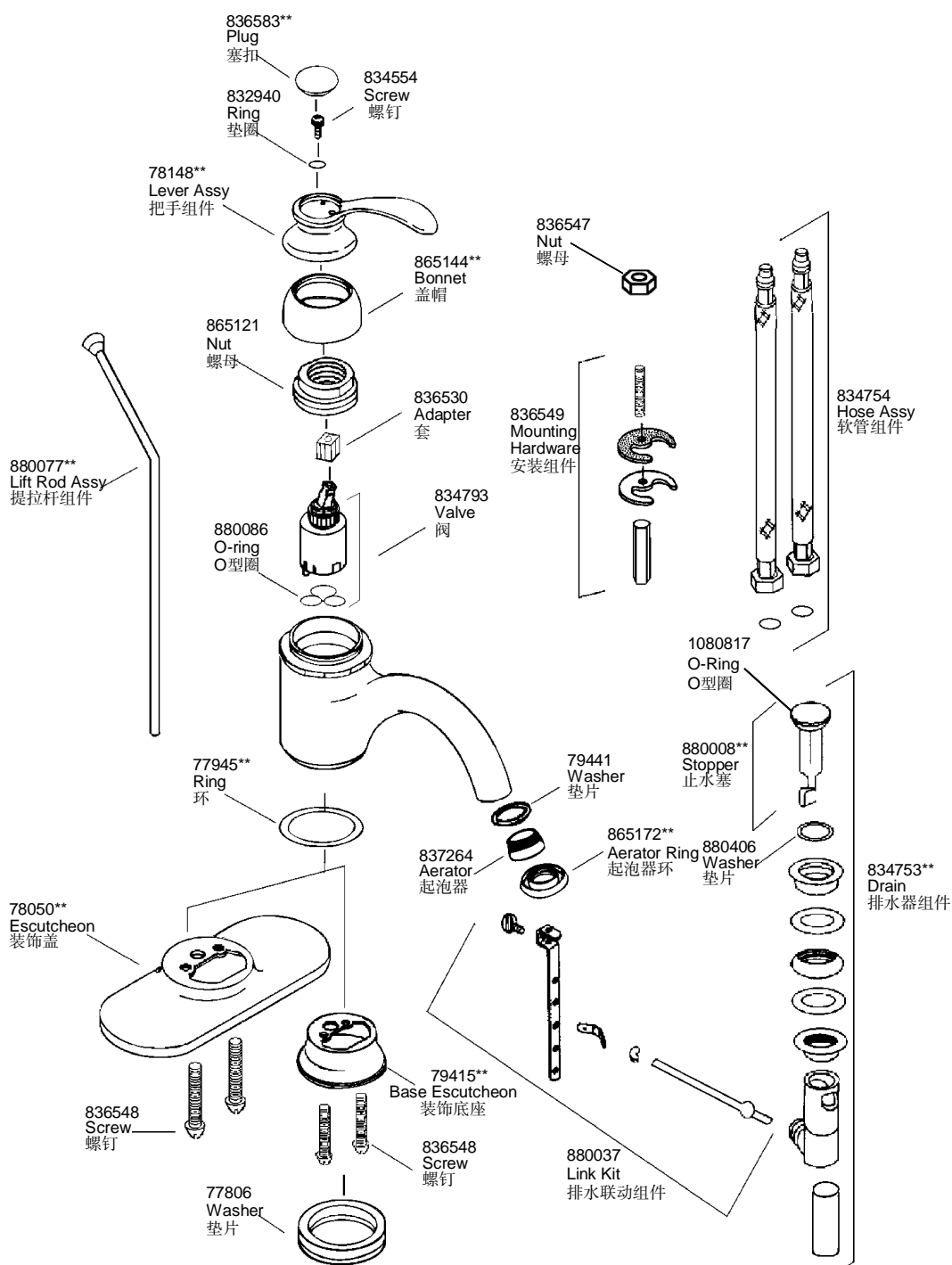
有腐蚀性的清洁剂或溶剂不可用于科勒牌的水龙头及其附件上。



## CLEANING INSTRUCTIONS

All Finishes: Clean the finish with a mild soap and warm water. Wipe entire surface completely dry with a clean soft cloth. Many cleaners may contain chemicals, such as ammonia, chlorine, toilet cleaner etc, which could adversely affect the finish and are not recommended for cleaning. Do not use abrasive cleaners or solvents on Kohler faucets and fittings.

### 8657T 单孔面盆龙头 8656T 4寸中孔面盆龙头



\*\*订购时请说明颜色编号

\*\*Color code must be specified when ordering.