

## BEFORE YOU BEGIN

- Please read these instructions carefully to familiarize yourself with the required tools, materials, and installation sequences. Follow the sections that pertain to your particular installation. This will help you avoid costly mistakes. In addition to proper installation, read all operating and safety instructions.
- All information in these instructions is based upon the latest product information available at the time of publication. Kohler China reserves the right to make changes in product characteristics, packaging, or availability at any time without notice.
- These instructions contain important care, cleaning, and warranty information - **please leave instructions for the consumer.**
- Fixture dimensions are nominal and conform to tolerances established by ASME Standards (A112.19.2-2013).
- The product complies with GB 6952-2015.

## 安装之前

- 请通读本说明书，以便了解所需工具、材料及安装程序。请遵照相关章节进行安装，以避免由于安装不当而导致不必要的损失。除了有关正确的安装方法之外，还务请详阅所有操作及安全说明。
- 本说明书所含一切资料，均以印刷时所有的最新产品为准，科勒中国保留随时更改产品特性、包装或供应情况的权利，恕不另行通知。
- 本说明书也包含了有关护理、清洁及保养等重要资料 - 请交予用户保存。
- 部件尺寸为标定值，误差符合美国ASME标准(A112.19.2-2013)。
- 本产品符合GB 6952-2015。

## RECOMMENDED TOOLS AND MATERIALS(NOT SUPPLIED)

- Open end/adjustable wrenches
- Tape measure
- Basin wrench
- Pipe wrench
- Square
- Level
- Pliers
- Socket wrench with sockets
- Screw driver
- Seal tape
- Connection wire
- Wire cutter
- Insulation tape
- Bushing
- Drill
- Sealant

## 所需工具及材料(不随货供应)

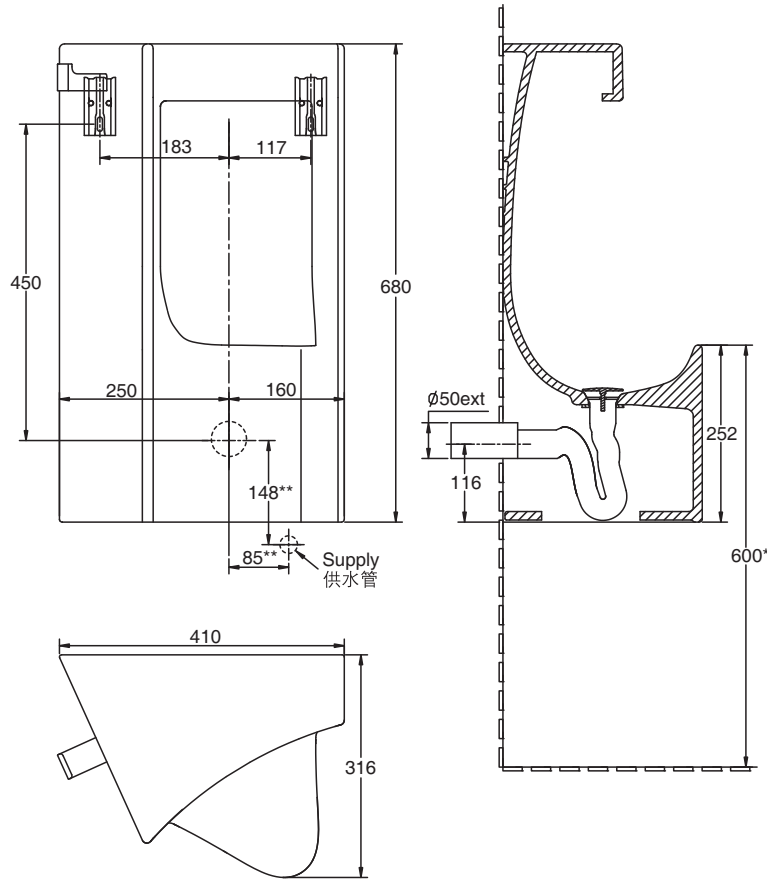
- 开口/活动板钳
- 卷尺
- 梅花板钳
- 管板手
- 直角尺
- 水平尺
- 老虎钳
- 管钳子
- 十字螺丝刀
- 生料带
- 连接线
- 剥线器
- 绝缘胶布
- 电工套管
- 冲击钻
- 密封胶

No.2 KOHLER ROAD, SANSHUI CENTRAL INDUSTRIAL PARK, LEPING TOWN, SANSHUI DIST., FOSHAN, GUANGDONG, PRC POST CODE 528137  
广东省佛山市三水区乐平镇三水中心工业园区科勒大道2号 邮编: 528137

8# MENGSHAN RD, ECONOMIC DEVELOPMENT ZONE OF HUANTAI, ZIBO, SHANDONG, CHINA POST CODE: 256410  
山东省淄博市桓台经济开发区蒙山路8号 邮编: 256410

Reference Value  
参考值

Unit:mm  
单位:毫米



Kohler reserves the right to change marked dimensions without prior notice.  
科勒公司保留随时变更图中标示尺寸的权利, 无需另行通知。

- Notice:** a. The dimensions above are just for reference.  
b. The layout dimensions of water inlet and outlet see installation step A(Install the hook).  
c. \*\* Indicates the location of inlet pipe, while inlet connector size is G 1/2.  
d. \* Recommended dimensions for installation only, please adjust according to actual situation.

- 注意:** a. 以上尺寸仅供参考。  
b. 进水口和排污口布局尺寸见安装步骤A(安装挂钩)。  
c. \*\*为进水管推荐位置, 进水接口尺寸为G 1/2。  
d. \*仅为建议安装尺寸, 客户可根据实际情况调整。

**⚠ Notice:** To ensure an effective flush performance, strongly recommended inner diameter of water supply (including water meter, valve, etc.) is no less than 25mm, and supplied water pressure (sensor inlet dynamic pressure) is 0.18MPa ~0.55MPa.

**⚠ 注意:** 为保证有效冲洗, 推荐供水管路(包括水表、阀等)内径不小于25mm, 推荐供水水压(冲洗器进水口流动水压): 0.18MPa ~0.55MPa。

# INSTALLATION

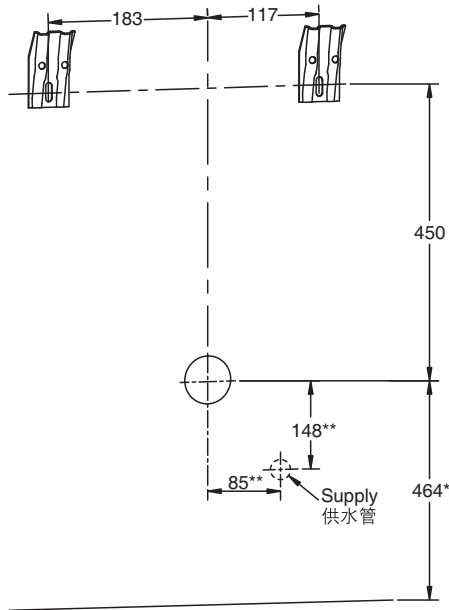
# 安装步骤

## A. Install hangers

## A. 安装挂钩

Locate the position for the hook and install the hook.

参照下图确定挂钩的位置并在墙上安装好挂钩。

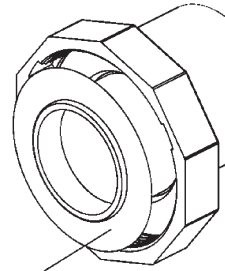
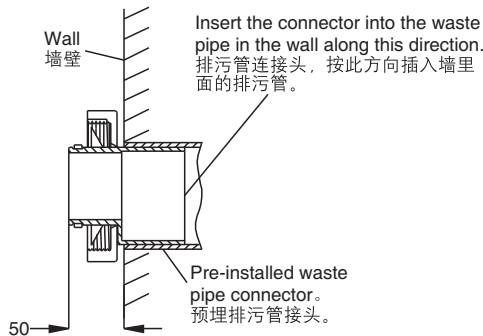


## B. Install waste pipe connector

## B. 安装排污管接头

Pre-install the waste pipe connector. In step C, waste pipe connector shall be adjusted to match with the plastic pipe of the urinal. Make sure the connector is completely sealed with the pre-buried waste pipe. (Gasket of waste pipe connector shall be soaked into water for 2 seconds to lubricate.)

如图预装好排污管接头。在步骤C中，排污管接头需要适度调整以与小便器的塑料弯管紧固连接。请确保排污管接头调整后与墙体预埋排污管的密封。(排污管接头的密封圈要泡到水两秒钟，以便润滑)



Move the gasket to front of the pipe before connecting to the urinal. 连接小便器前，要把密封圈移到管的前部。

## C. Install urinal

## C. 安装小便器

1. Hang the urinal onto the hangers.
2. Align the waste pipe connector with the plastic pipe of the urinal. Tighten the nut of the connector. Seal the connector and the pre-buried waste pipe if necessary.
3. Connect valve inlet and corner valve.
4. Apply silicone sealant between urinal and wall.

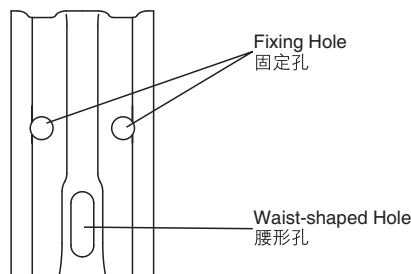
1. 将小便器挂到挂钩上。(若有必要，请参照步骤D调整挂钩)
2. 对齐排污管接头与小便器的塑料弯管，拧紧排污管接头螺母。必要时对排污管接头与墙体预埋排污管进行密封处理。
3. 连接阀体进水管与角阀。
4. 在小便器与墙体之间打玻璃胶。

## D. Adjust the hanger

1. As shown in the picture below, firmly press the hanger with the bolt through the waist-shaped hole.

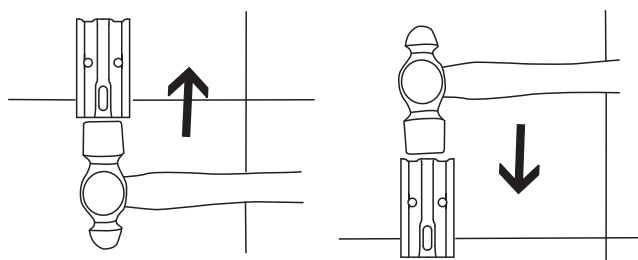
## D. 调整挂钩

1. 如下图所示，通过挂钩上的腰形孔，用螺栓压紧挂钩。



2. As shown in the picture below, if the position of the urinal needs to be adjusted, please take down the urinal and knock the hanger slightly to adjust its position upwards and downwards.

2. 如下图所示，如果小便斗上下位置不合适，请取下小便斗，用锤子轻轻的上下敲击挂钩，调整挂钩的上下位置。



Adjust Upwards and Downwards  
上下调整挂钩位置

3. After the position of the urinal is decided, completely fix the hanger with the bolt through the fixing holes on the hanger.

3. 确定挂钩位置后，通过挂钩上的固定孔，锁入螺栓使得挂钩完全的固定。

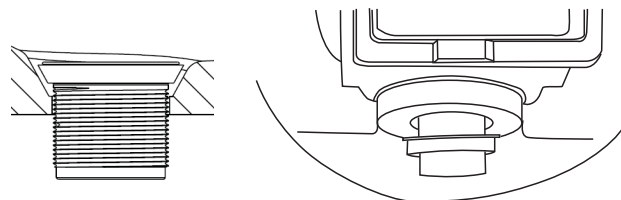
## E. Install the drain and the plastic trap

E. 装去水器 and 塑料弯管(产品出货时已经装好)

1. Put the washer onto the drain and insert it into the hole.
2. Put the gasket and nut on the bottom.

**NOTE:** Do not over screw the nut in this step, because it is to be screwed tight in the next step after the pipe is installed.

1. 将去水器套上垫圈并插入陶瓷孔。
2. 底部套上橡胶垫圈和锁紧螺母。  
注意：锁紧螺母不要旋紧，因为要在下一步骤安装弯管后才能旋紧。



3. Connect the hose with the trap.
4. Screw the trap onto the drain and screw tight.
5. Screw tight the nut of the drain mentioned in step.

3. 连接弯管和塑料弯管。
4. 将塑料弯管和去水器旋上拧紧。
5. 旋紧第2步骤的去水器锁紧螺母。



# SENSORS RECOMMENDED

# 推荐使用科勒下列感应器

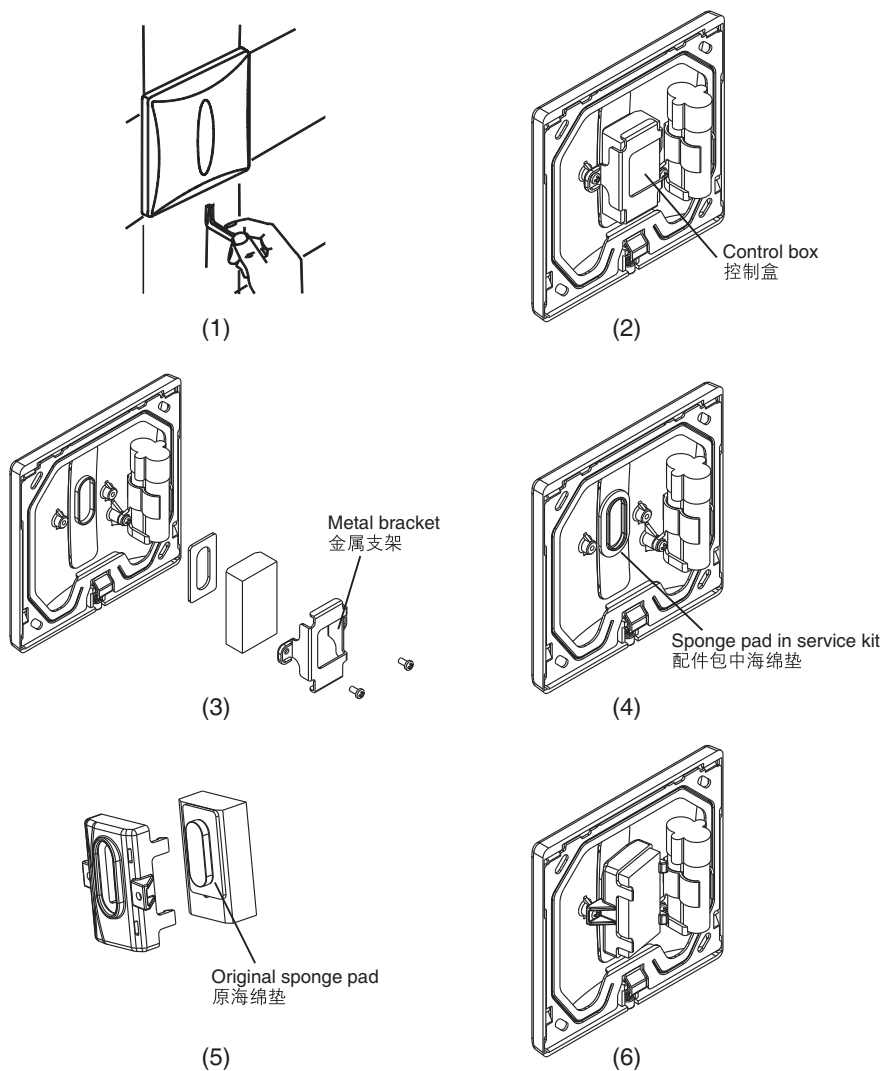
Urinal(小便斗)	Sensor(配套感应器)
0.5L	K-8791T-YC03-SC/K-8791T-YC03-CP/K-8791T-YC01-SC/K-8791T-YC01-CP
1L	K-8988T-C03-SC/K-8988T-C03-CP/K-8988T-C01-SC/K-8988T-C01-CP
3L	K-8791T-C03-SC/K-8791T-C03-CP/K-8791T-C01-SC/K-8791T-C01-CP

Please purchase 1314107-SP together with the sensors above and adjust according to the following steps.

使用上述感应器时，请同时购买角度转换配件包1314107-SP，并按照如下步骤进行调整。

1. Push hex wrench upwards and dismantle the panel by rotating screws counterclockwise.
2. Remove control box screws.
3. After dismantle the parts, remove metal bracket.
4. Place sponge pad in angle conversion kit as shown.
5. Place original sponge pad in the control box as shown, snap in angle conversion bracket in service kit.
6. Align control box, fasten screws, push hex wrench upwards and mount the panel by rotating screws clockwise.

1. 内六角扳手上顶后逆时针旋转拆下面板。
2. 拧下控制盒螺钉。
3. 分解后，去除金属支架。
4. 将角度转换配件包中海绵垫，放到图示位置。
5. 将原海绵垫放在控制盒图示位置，一起卡进角度转换配件包中的角度转换支架。
6. 将控制盒对好位置，拧上螺钉，用内六角扳手上顶后顺时针旋转装回面板。



## Consumer Responsibilities

1. Do not attack the sensor.
2. Do not directly flush the sensor with water. The sensor is an electronic instrument.
3. Do not let sunlight or other light source enter or be reflected into Sensor Window.
4. Do not hang on the opposite wall any reflective items or install light/electronic sensor such as toilet flushing sensor.
5. Do not make Sensor Window near strong ultraviolet or electromagnetic field.
6. Keep the sensor window clean.  
The sensor cover can be cleaned by soft rag with neutral liquid detergent.  
Do not use eradicator, abrasive powder or oil, acid or alkali liquid detergent.  
Do not spray air freshener, disinfectant or other kinds of odious removing, cleaning organic liquid to the sensor directly.
7. Urinal is designed for use with potable water. Avoid water that includes a lot of contaminants or acid/alkali water and impure water.
8. When AC power unit is connected to 220V AC power supply, corresponding protective measures should be taken.
9. Please confirm no water penetration at the connection area of AC wire, and the connection area is not easy to be affected by damp.
10. Don't connect power unit to AC power supply until the sensor installation is finished.
11. The head AC power supply must be protected with appropriate fuse.
12. Please confirm the AC power supply and water supply should be shut off before maintaining the products with AC power related.
13. All electrical connection must be compliance with related regulation and codes.
14. All installation staff should be well familiar with installation instruction.



**WARNING:** Never spit phlegm and throw stub or something else into the urinal.



**WARNING: Risk of product damage.**  
Do not throw into the urinal what is easy to block it, such as newspaper, paper pilch.  
Do not bump the vitreous china with great force to prevent it from damaging and leaking.  
Do not use the product in the water below 0°C.



**CAUTION:** Please do not use hard materials (like scouring pad) to clean product surface, especially the product logo.

## 用户责任

1. 请勿敲击感应窗口。
2. 感应器为电子器具，请勿直接用水冲洗。
3. 避免阳光或其他光源直接或反射进入感应窗口。
4. 请勿在感应器正面墙壁上挂贴易反射的物体或安装光电感应器(如大便自动感应冲洗器)。
5. 请勿靠近强烈紫外线或电磁场。
6. 保持感应窗口清洁。  
窗口外壳可用蘸有中性清洁剂的软布擦洗。  
禁止使用去污粉、研磨粉及油类、酸性类、碱性类清洁剂。  
禁止直接对感应窗口喷洒空气清新剂、消毒液或其他除臭、清洁类有机溶剂。
7. 使用水源为自来水或可供饮用井水。  
避免使用含有杂质较多或带有酸、碱性的处理水或未加工处理的水。
8. 将交流电源盒接入220V电源时，应采取相应的防卫措施。
9. 应确保交流导线连接处无水渗入以及不易受潮。
10. 务必在感应器安装完毕后，才向交流电源盒供电。
11. 交流电的总电源必须有合适的熔断丝加以保护。
12. 维修交流供电型的产品时，必须首先断开交流电源并关闭水源。
13. 所有电路连接必须符合相关规范和条例要求。
14. 所有参与安装人员都必须熟知安装说明。



**警告：**请勿往小便器内吐痰、扔烟蒂等杂物。



**警告：**提防损坏产品。  
请不要向小便器内冲入新闻纸、纸尿裤等容易堵塞的物品。  
请不要用重力撞击陶瓷，以防止破损漏水。  
不要在0°C以下的水环境中使用。



**警告：**请勿使用钢丝球等硬质材料擦洗产品表面，特别是产品商标处。