

14676T 浴缸出水口

安装之前

BEFORE YOU BEGIN

所有的资料是按最新出版的产品资料编写而成。科勒公司保留任何时候不经通知即可改变产品特性、包装或产品可供类型的权利。

All information is based on the latest product information available at the time of publication. Kohler Co. reserves the right to make changes in product characteristics, packaging, or availability at any time without notice.

说明书包括重要的安装、保养及清洁方面的内容，请把这些资料交给用户阅读。

Please leave these instructions for the consumer. They contain important information.

注意事项:

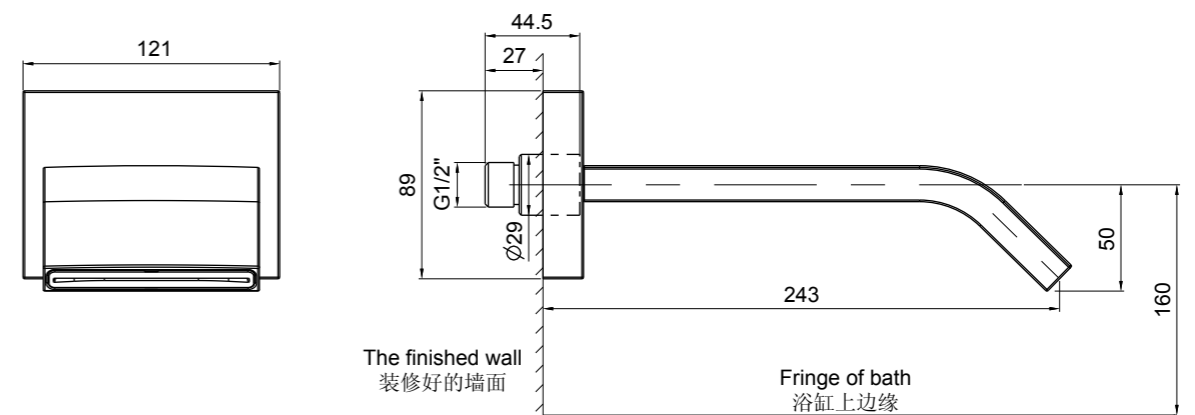
1. 一定要先彻底冲洗供水管以清除管道中的杂质。
2. 切断供水管路。
3. 遵守所有当地管路安装及建筑条例。

NOTES:

1. Flush the water supply pipes thoroughly to remove any debris.
2. Shut off the water supplies to the fitting.
3. Observe all local plumbing and building codes.

安装尺寸

ROUGH-IN DIMENSIONS



安装步骤

INSTALLATION

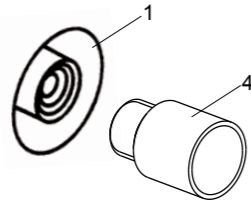
如何安装接头

How To Install The Outlet Bush

为使安装顺利，G1/2"内螺纹管道配件(1)应已装好。

To perform installation, installer must provide G1/2" female supply fitting(1).

注意：管道配件要垂直并且不能突出装修好的墙面，但低于墙面的长度在12~16毫米之间。



NOTE: The supply fitting should be not beyond, but below the finished wall 12~16mm, and be vertical with finished wall as well.

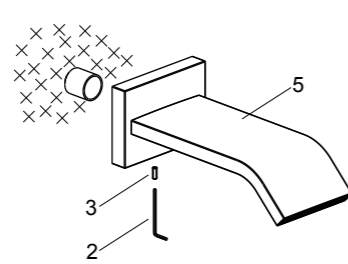
用六角扳手(2)旋松螺钉(3)，取下接头(4)。在接头的G1/2"螺纹上缠绕足以密封的密封胶或涂合适的密封胶。将接头拧紧到管道配件上。

Loosen the screw(3) with the hex wrench (2). Take off the outlet bush(4). Apply tape or thread sealant to G1/2" threads of the outlet bush. Screw the outlet bush tightly onto the supply fitting.

如何安装出水口

How To Install The Spout

在出水口组件(5)底部涂上一圈油灰或其他胶。将出水口组件装入接头，后推至与墙面接触。调整出水口组件方向使螺钉孔垂直向下。用六角扳手把出水口组件下方的螺钉拧紧。去除多余油灰。



Apply a ring of plumbers putty or other sealants to the spout kit(5) base. Slide the spout kit onto the outlet bush, and push it against the finished wall. Adjust the spout kit to the setscrew hole downwards. Be carefully tighten the setscrew at the bottom of the spout kit by the hex wrench provided. Remove any excess putty.

注意：固定螺丝不要拧得太紧。

NOTE: Do not overtighten the setscrew.

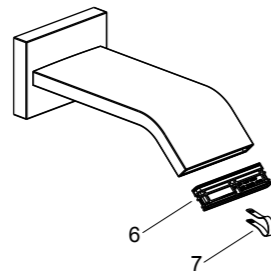
安装结果检查

INSTALLATION CHECKOUT

检查并确保所有的衔接处都已拧紧。打开排水系统和主要供水源，检查并修理有漏水的接口。

Ensure that all connections are tightened. Open the drain. Turn on the main water supply and check for leaks. Repair as required.

用工具(7)将起泡器组件(6)拆下。打开冷热水，让水流出约一分钟以清除杂质。检查渗漏，冲洗起泡器，关闭水源。重新装回起泡器组件。



Remove the aerator kit(6) with the key(7). Run hot and cold water through spout about one minute to remove any debris. Check for leaks at this time. Remove any debris from the aerator kit. Turn off the water supply. Reinstall the aerator kit.

清洗说明

CLEANING INSTRUCTIONS

适用于所有加工处理过的表面：以中性肥皂水清洗镀层表面，再以干净的软布彻底擦干整个表面，许多清洁剂，比如氨水、去污粉及洁厕灵等，会对电镀表面造成伤害，切忌使用。

All Finishes: Clean the finish with mild soap and warm water. Wipe entire surface completely dry with clean soft cloth. Many cleaners may contain chemicals, such as ammonia, chlorine, toilet cleaner etc, which could adversely affect the finish and are not recommended for cleaning.

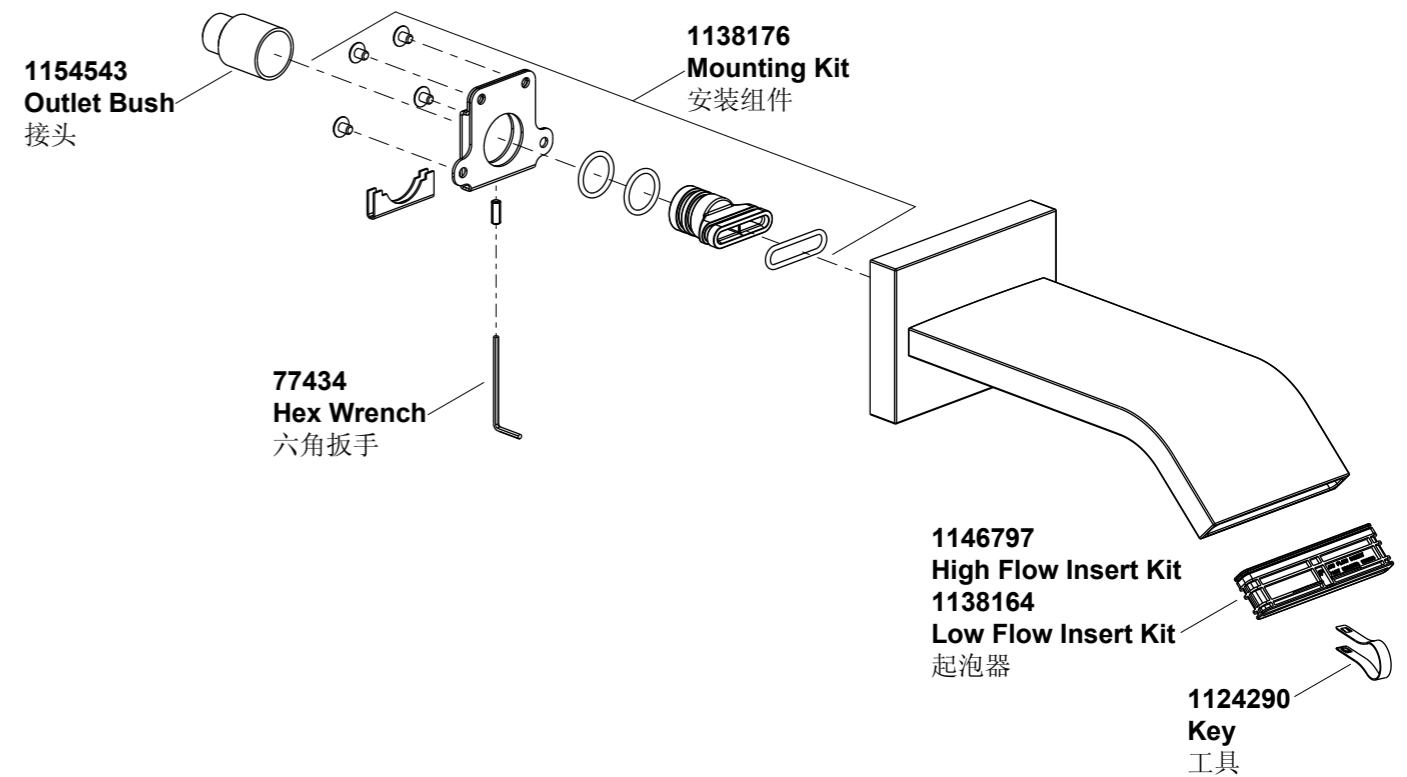
有磨损性的清洁用具或清洁剂也不可适用于科勒牌的水龙头及其配件上。

Do not use abrasive cleaners or solvents on Kohler faucets and fittings.

KOHLER®
SERVICE PARTS
零件图

萝瑞
LOURE
Bath Spout

14676T 浴缸出水口



**订购时请说明颜色编号

**Color code must be specified when ordering