



1430511-IN2

Record your model number: _____

⚠ WARNING: Risk of scalding. High water temperature can cause severe burns. Set the valve water temperature at or below 120°F (49°C). Refer to the temperature adjustment instructions for the valve.

⚠ CAUTION: Risk of personal injury. The clip must be secured with the setscrew or the product can fall.

⚠ CAUTION: Risk of product damage. Use care not to scratch the product surface when accessing the setscrew.

Follow all local plumbing and building codes.

1A. Run water to flush debris.

2A. Retain the setscrew and clip.

3A. If needed, install the flow restrictors under the screen washers.

4A. An additional O-ring may be present on one outlet. Align with the inlet that has a groove.

6A. Periodically rub debris from the nozzles while water is running.

7A. Periodically rinse debris from the screen washers.

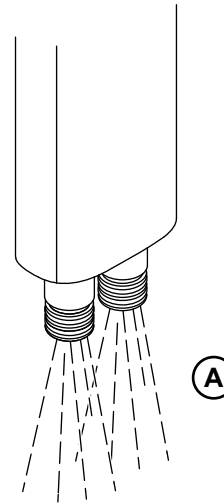
Need help? Contact our Customer Care Center.

• Email: indiacustomercare@kohler.com

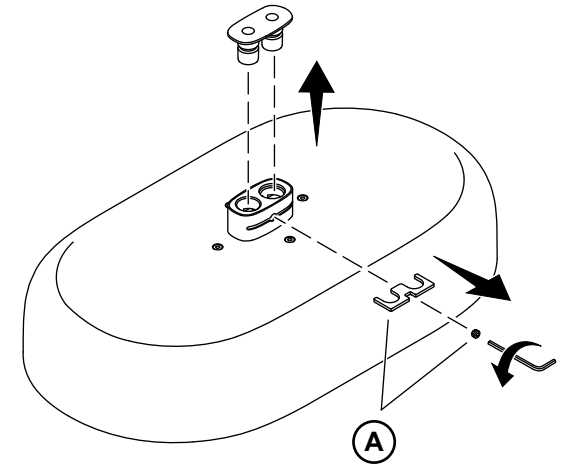
• Call: 1800-103-2244

This product is covered under the **KOHLER® India Faucet, Sanitaryware and Bathing Products Limited Warranty**, found at kohler.co.in/warranty.

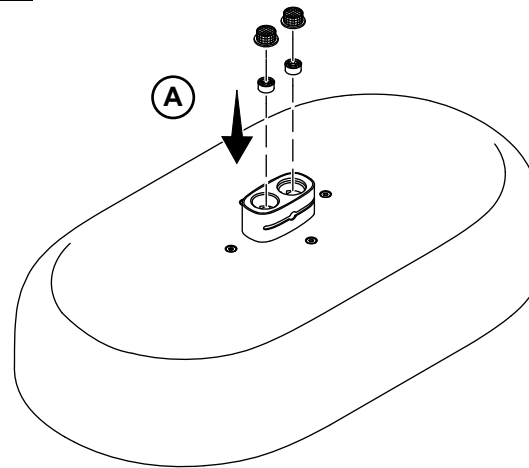
1



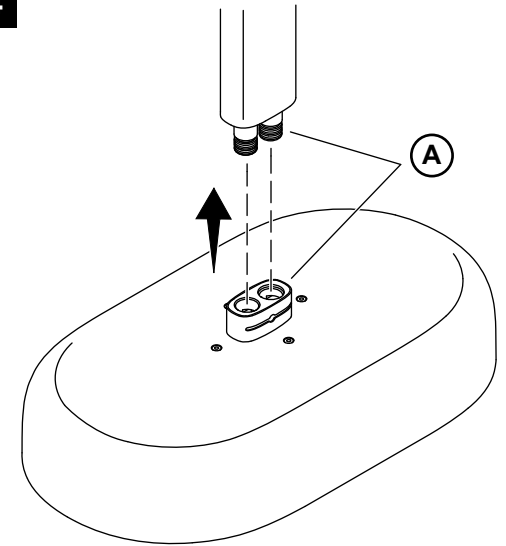
2



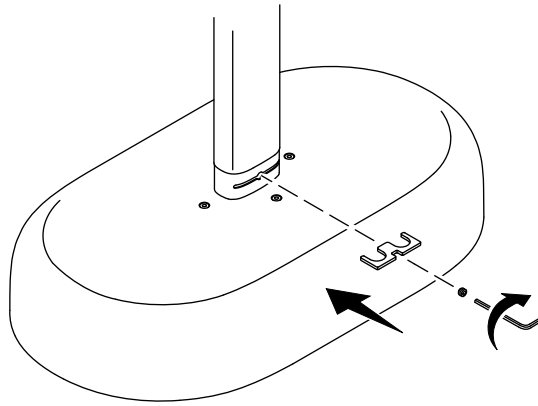
3



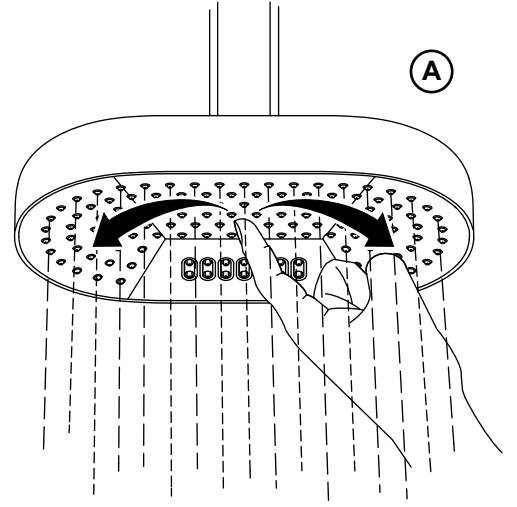
4



5



6



7

