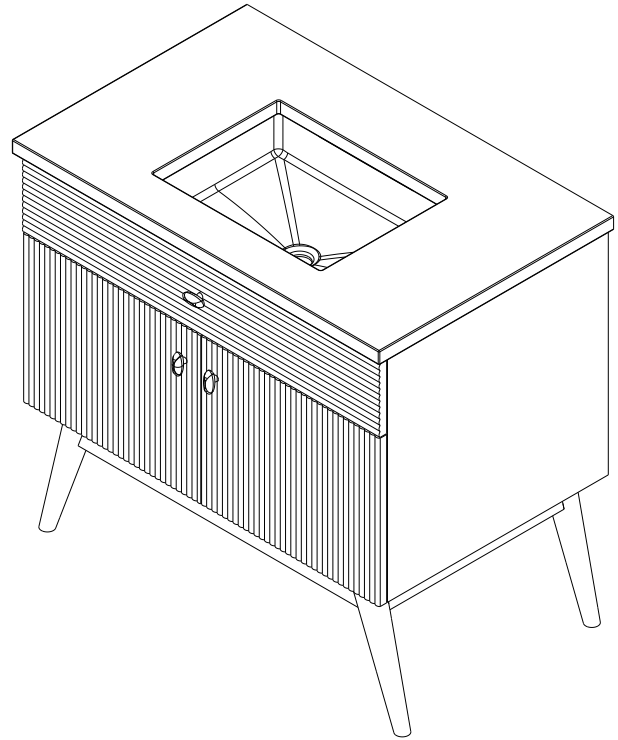


Options

•Available in:

- AS19302, Carrara marble with Dark Burnt Oak & Brushed Pewter hardware
- AS19303, Carrara marble with Honey Oak & Aged Brass hardware
- AS19304, Calacatta marble with Dark Burnt Oak & Brushed Pewter hardware
- AS19305, Calacatta marble with Honey Oak & Aged Brass hardware



Features

- Ribbed detailing on door and drawer fronts
- Mid-century inspired tapered legs
- Distinctive floating vanity detail
- Top drawer is false front

Materials & Construction

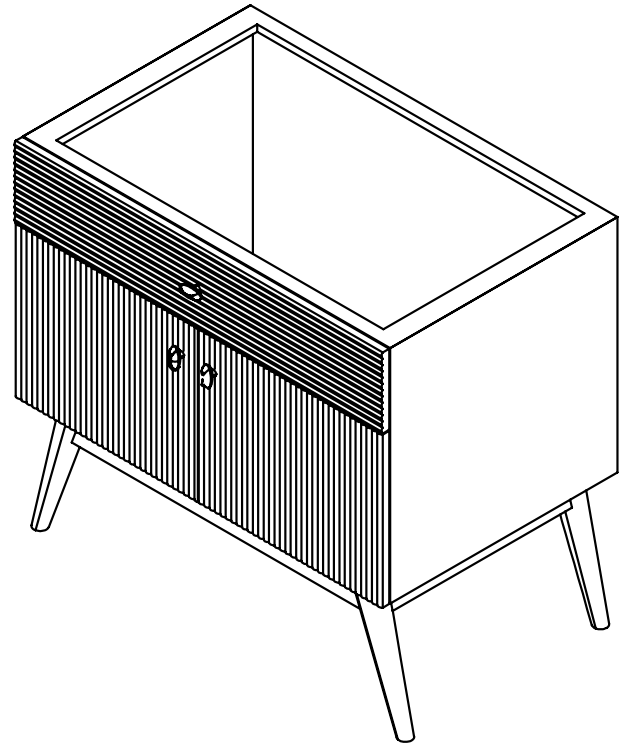
- Solid wood and veneer construction
- Full plywood back panel, no cutout
- Stainless steel knobs
- Dovetailed drawers
- Blum slow close hinges
- Adjustable leveling feet
- Durable, moisture resistant polyurethane finish

Options

- Available in:
 CVWY3621269, Dark Burnt Oak paired with Brushed Pewter
 CVWY3620787, Honey Oak paired with Aged Brass
- Coordinating Ann Sacks top
- Coordinating mirrors available

Dimensions

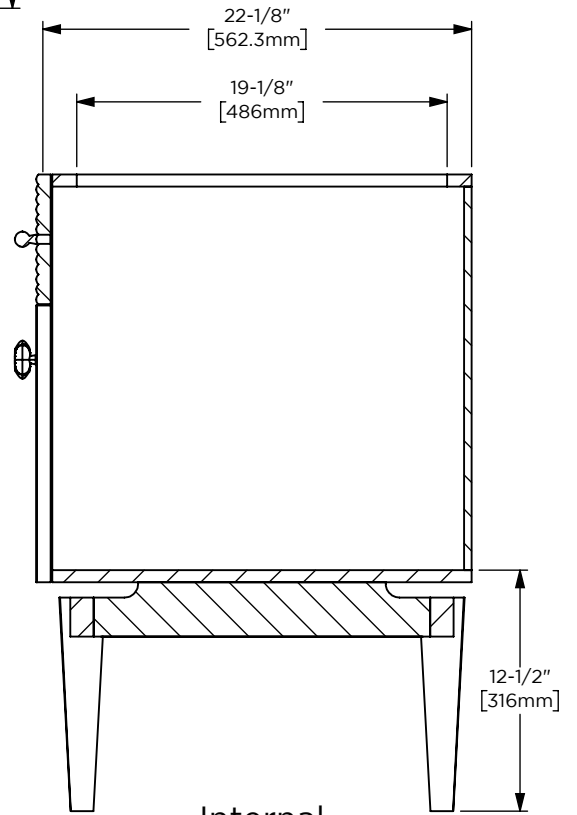
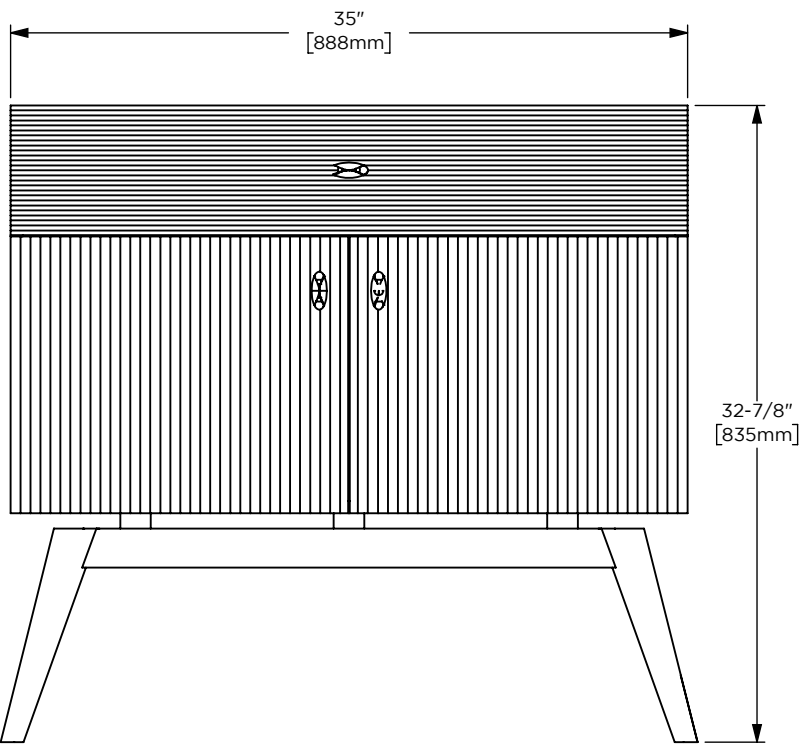
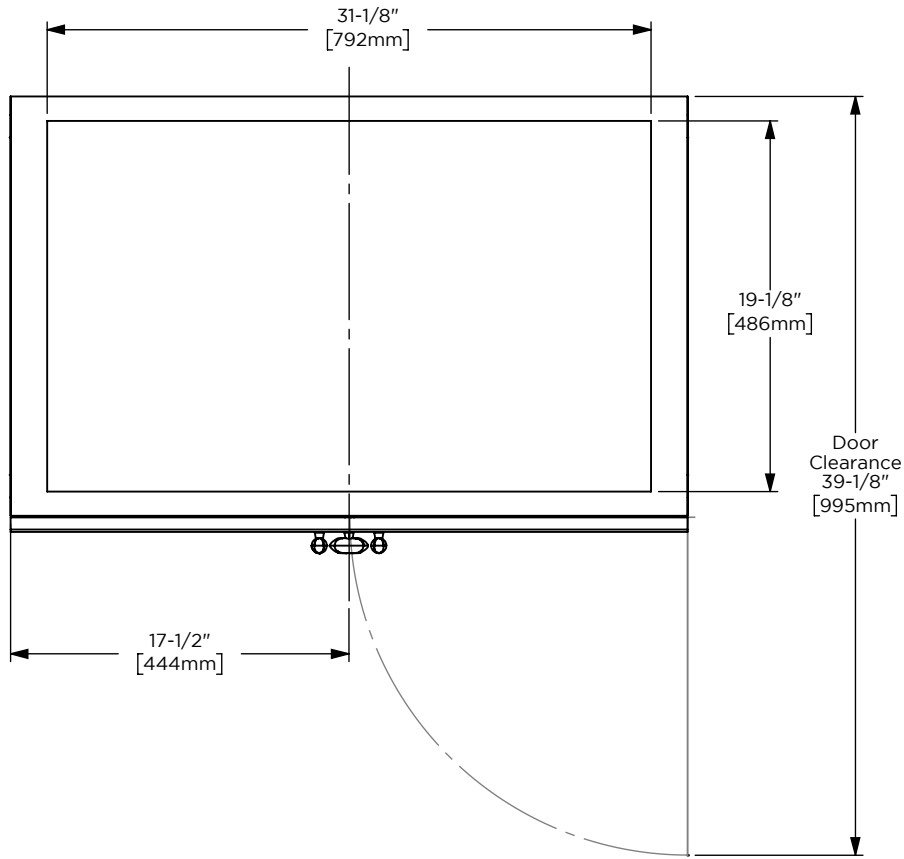
Width: 35"
 Height: 32-7/8"
 Depth: 22-1/2"



Model Number Key

PRODUCT LINE	CATEGORY	COLLECTION	WIDTH	FINISH OPTIONS	OPTIONS
C = Craft Series	V = Vanity	WY = Wyndale	36"	(See above)	(See above)

Wyndale 36" Vanity CVWY36



Features

- Stone top is fabricated with pre-drilled knock-outs, accommodating a deck mounted or a wall mounted faucet
- The Wyndale stone top is fabricated for the Kallista Perfect Centric Rectangle Basin
- Stone tops are honed, we recommend sealing prior to use with a penetrating sealer
- Periodic cleaning and resealing of the stone top is recommended using products formulated for natural stone

Materials & Construction

- Stone tops are fabricated from marble originating in Italy and Portugal

Options

- Available in:
 - AS18961, Carrara Top
 - AS18962, Calacatta Top

Dimensions

Width: 36"

Height: 1"

Depth: 23"

