

Craft Series Vanity
CVW172 Willowmere Vanity Specification Sheet

FEATURES

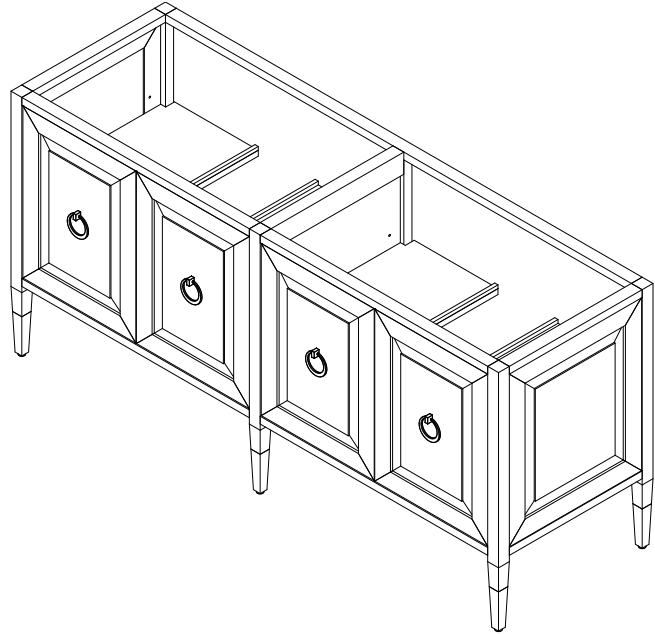
- Distinctive mitered raised panel doors
- Matching raised panel side
- Richly textured oak finish
- Decorative metal leg detail
- Adjustable storage shelves

MATERIALS & CONSTRUCTION

- Solid wood and veneer construction
- Full plywood back panel, no cutout
- Stainless steel ring pulls
- Adjustable Blum 95° soft-close hinges
- Durable, moisture resistant polyurethane finish
- Adjustable leveling feet

OPTIONS

- Available in:
 - CVW17221088 - Weathered Oak Drift with Antique Bronze
 - CVW17221368 - Drifted Matte Brown with Iron Black
- Engineered stone tops available:
 - TA72UDO93-8WM1, White Zeus Extreme
 - TA72UDO95-8WM1, Eternal Marquina
 - TA72UDO96-8WM1, Pietra
 - TA72UDO97-8WM1, Calypso
 - TA72UDO98-8WM1, Eternal Serena
 - TA72UDO100-8WM1, Eternal Calacatta Gold
- Coordinating Ann Sacks Stone Tops and Kallista Sink:
 - AS19023, Carrara Marble
 - AS19024, Calacatta Marble
 - P74235-WO-0, Perfect Centric Rectangle



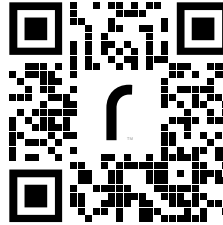
DIMENSIONS

- Width: 71" (1802 mm)
- Height: 33-3/16" (843 mm)
- Depth: 22-1/2" (571 mm)

MODEL NUMBER KEY

PRODUCT LINE	CATEGORY	COLLECTION	WIDTH	FINISH OPTIONS
C = Craft Series	V = Vanity	W1 = Willowmere	72	(See above)

MORE INFORMATION



Scan the QR code to see the details found in the Craft Vanity installation instructions.

Use the camera app on your mobile device to look at this QR code. This will allow you to quickly access web pages and other relevant documents.

