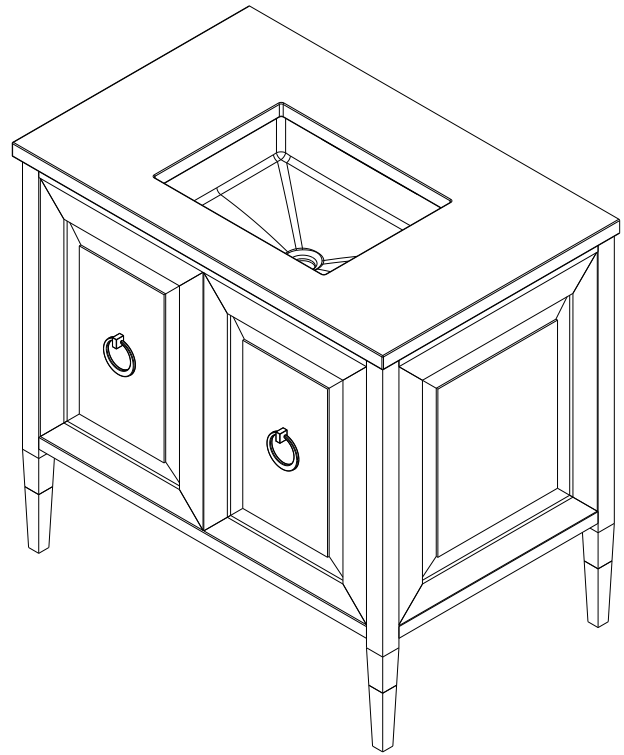


**Options**

## •Available in:

- AS19286, Carrara marble with Drifted Matte Brown & Iron Black hardware
- AS19287, Carrara marble with Weathered Oak Drift & Antique Bronze hardware
- AS19288, Calacatta marble with Drifted Matte Brown & Iron Black hardware
- AS19289, Calacatta marble with Weathered Oak Drift & Antique Bronze hardware



**Features**

- Distinctive mitered raised panel doors
- Matching raised panel sides
- Richly textured oak finish
- Decorative metal leg detail
- Adjustable storage shelves

**Materials & Construction**

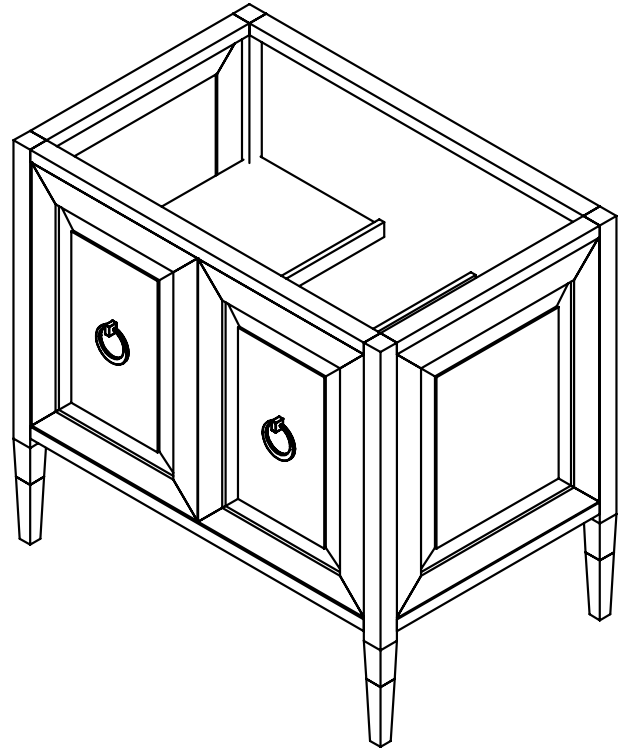
- Solid wood and veneer construction
- Full plywood back panel, no cutout
- Stainless steel ring pulls
- Blum slow close hinges
- Durable, moisture resistant polyurethane finish
- Adjustable leveling feet

**Options**

- Available in:  
CVWI3621368, Drifted Matte Brown paired with Iron Black  
CVWI3621088, Weathered Oak Drift paired with Antique Bronze
- Coordinating Ann Sacks Top
- Coordinating mirrors available

**Dimensions**

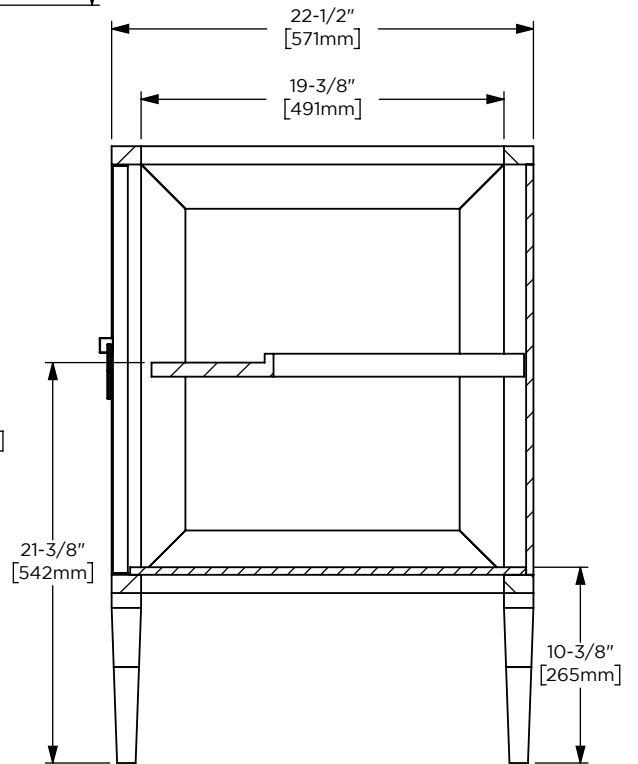
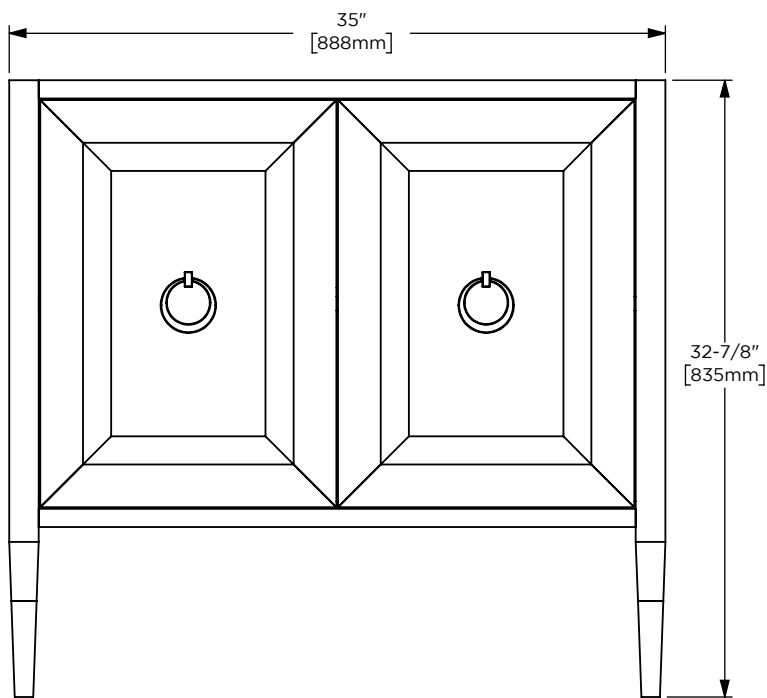
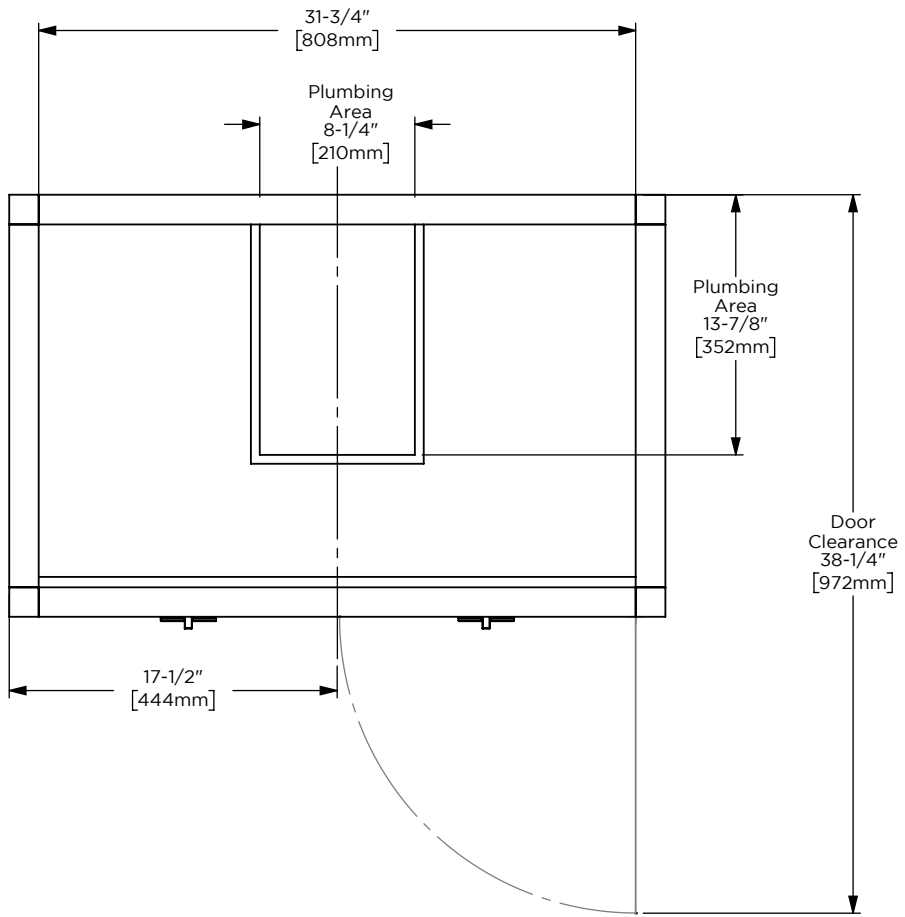
Width: 35"  
Height: 32-7/8"  
Depth: 22-1/2"



**Model Number Key**

PRODUCT LINE	CATEGORY	COLLECTION	WIDTH	FINISH OPTIONS	OPTIONS
C = Craft Series	V = Vanity	WI = Willowmere	36"	(See above)	(See above)

Willowmere 36" Vanity CVWI36



Internal Construction

**Features**

- Stone top is fabricated with pre-drilled knock-outs, accommodating a deck mounted or a wall mounted faucet
- The Willowmere stone top is fabricated for the Kallista Perfect Centric Rectangle Basin
- Stone tops are honed, we recommend sealing prior to use with a penetrating sealer
- Periodic cleaning and resealing of the stone top is recommended using products formulated for natural stone

**Materials & Construction**

- Stone tops are fabricated from marble originating in Italy and Portugal

**Options**

- Available in:
  - AS19021, Carrara Top
  - AS19022, Calacatta Top

**Dimensions**

Width: 36"

Height: 1"

Depth: 23"

