

Features

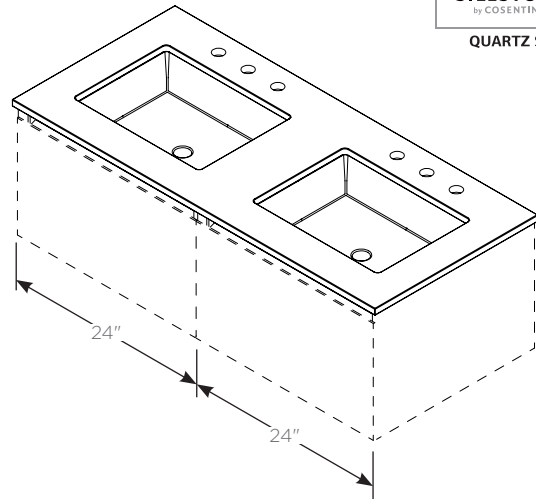
- Silestone Quartz surface
- Includes Robern ceramic lavatory and proprietary Robern mounting brackets (for use in Cartesian D21 and VF vanities).
- Includes installation hardware and silicone

Dimensions

Width: 49" (1245 mm)
Depth: 22" (559 mm)
Thickness: 3/4" (19 mm)
Weight: 93 lbs (42.2 kg)

Options

- Stone Top Color Options:
 - Quartz White
 - White Zeus Extreme
 - Stone Gray
 - Lyra
 - Lava Black
- Faucet Hole Patterns available:
 - Single Hole
 - 8" Widespread Three Hole
- Sink Configurations:
 - Undercounter Sink (Double)



Note: Sinks must be located over H1-Tip Out or H2/V14 Plumbing drawers. See Cartesian Reference Guide for more information.

Model Number Key

T F 49 U D O 92 - 8 D1

Category	T = Top
Depth	F = 22" (559 mm) Engineered Stone
Width	49" (1245 mm)
Sink Type	U = Undercounter Sink
Sink Location	D = Double
Overflow	O = Overflow
Colors	90 = Engineered Stone, Lava Black (Silestone Tebas Black) 91 = Engineered Stone, Stone Gray (Silestone Expo Gray) 92 = Engineered Stone, Quartz White (Silestone White Storm) 93 = Engineered Stone, White Zeus Extreme (Silestone) 94 = Engineered Stone, Lyra (Silestone)
Faucet Hole Drilling	1 = Single-Hole (Centered on Sink Location) 8 = 3-Hole (Centered on Sink Location)
Sink Configuration	D1 = Double Sink for 24" - 24" Ganged Vanities

Dimensions

